

MODELS:

STL-HBN50PXYYZZ; STL-HBN100PXYYZZ; STL-HBN150PXYYZZ; STL-HBN230PXYYZZ

Model number parameter list:

Item	Model	Input Voltage	Power Factor	Watts	Input Current
A	STL-HBN50PXYYZZ	100-277VAC	>0.9	50W	0.6A
B	STL-HBN100PXYYZZ	100-277VAC	>0.9	100W	1.4A
C	STL-HBN150PXYYZZ	100-277VAC	>0.9	150W	1.8A
D	STL-HBN230PXYYZZ	100-277VAC	>0.9	230W	2.8A

“X” represents color temperature, where may be: 3- 3000K, 4 - 4000k, 5 - 5000k, 6- 5700K ; “YY” represents mounting type, where may be: PD – Pendant, YK – Yoke; “ZZ” represents housing color, where may be: WH – White, BK – Black, GY – Gray



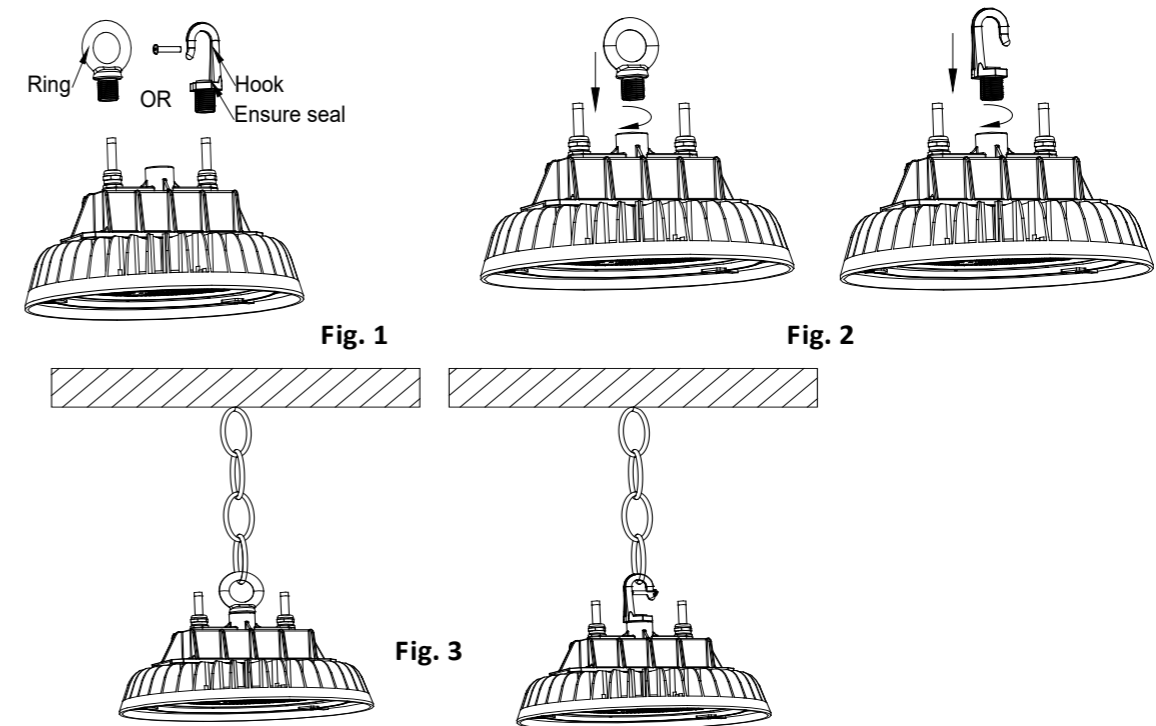
WARNINGS

- ◆ Observe all precautions usually followed when dealing with high voltage equipment when installing or servicing this light fixture.
- ◆ Disconnect power before installing or servicing.
- ◆ The product must be installed in accordance with the applicable installation code by a person familiar with the construction and operation of the product and the hazards involved.
- ◆ Protect all wiring connections with approved insulators rated 600V/150°C.
- ◆ Line voltage must be 100V–277V 50/60Hz according to the different models to select the corresponding voltage.
- ◆ **SAVE THESE INSTRUCTIONS FOR FUTURE REFERENCE**
- ◆ Upon receipt of this fixture, thoroughly inspect it for any damage. If any is found, the carrier should be notified and held accountable.

Installation Steps:

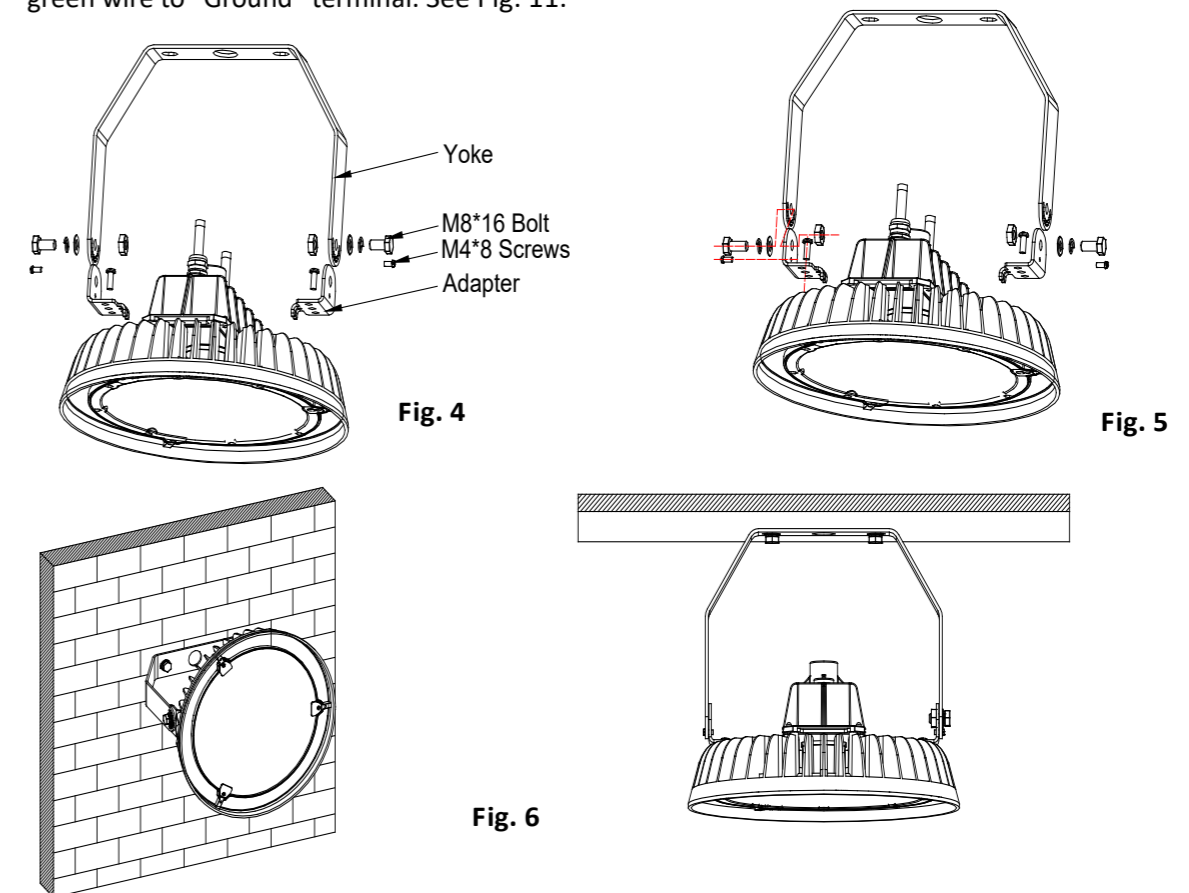
I. Hook/Ring mount

1. Find the accessories as Fig. 1 shows from bags. (Hook:Hook the middle hole to ensure seal)
2. Install the hook/ring on fixture. See Fig. 2.
3. Hang/Ring the fixture on suitable mounting place. See Fig. 3.
4. Wiring connection:
Connect wires into wiring terminal; White wire to “Neutral” terminal, Black to “Live” terminal, green wire to “Ground” terminal. See Fig. 11.



II. Yoke mount

1. Find the screws and washers as Fig. 4 shows from accessory bags.
2. Install the yoke to the fixture. See Fig. 5.
3. Fix the fixture on mounting surface. See Fig. 6.
4. Wiring connection:
Connect wires into wiring terminal; White wire to “Neutral” terminal, Black to “Line” terminal, green wire to “Ground” terminal. See Fig. 11.



III. Pipe Mount

1. Find the 3/4" NPS adapter from accessory bag as Fig. 7 shows (Pipe is not provided. Please choose a proper pipe with 3/4" NPS thread), install the 3/4" adapter on fixture. See Fig. 8.
2. Screw one side of the pipe into the 3/4" NPS adapter, secure another side to the of mounting position. See Fig.9
3. Wiring connection:
Connect wires into wiring terminal; White wire to "Neutral" terminal, Black to "Line" terminal, green wire to "Ground" terminal. See Fig. 11.

3/4" NPS Adaptor

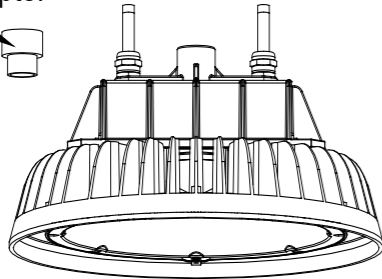


Fig. 7

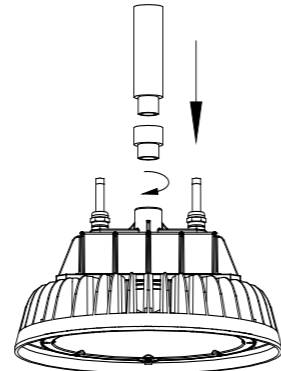


Fig. 8

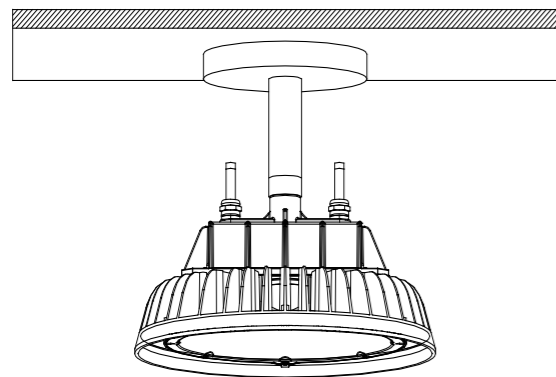


Fig. 9

Reflector installation:

1. M4*8 (3PCS) screws are already installed on the front of fixture, reserved a space for reflector (sold separately). HBN150W needs the metal plate adapter, fix the adapter to the lamp with 3 pieces of M4*8 screws, then using 3 pieces of M4*8 screws to fasten the reflector.)
2. Put the reflector on fixture, let the screws through the slots on reflector. Twist the reflector to block it and tighten the screws. See Fig. 10
3. If a bottom cover (sold separately) needed, fix it on the bottom by 3 screws (provided with the bottom cover).

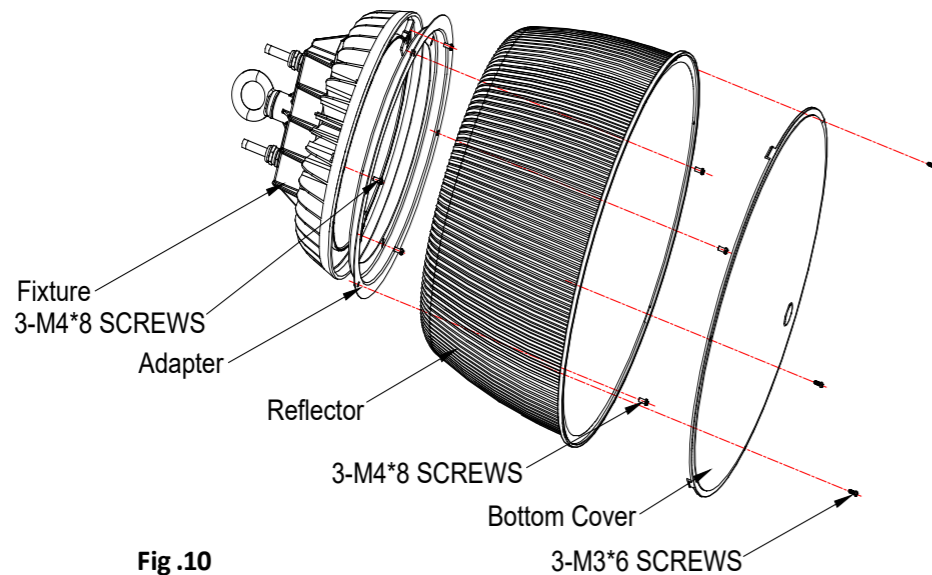
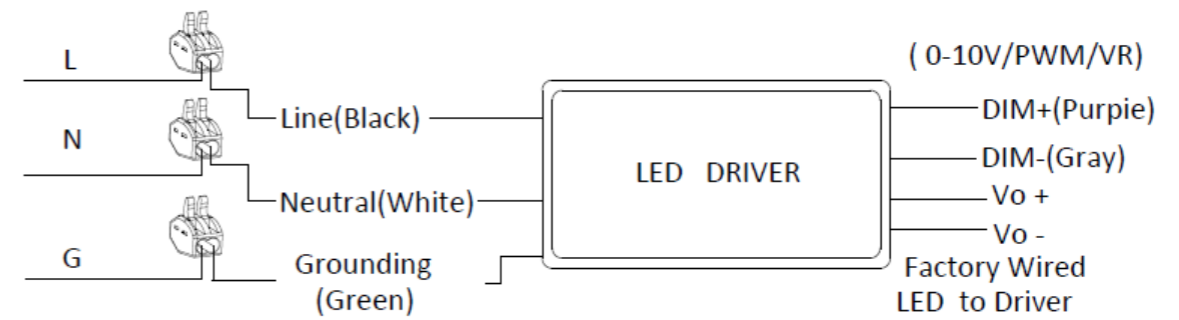


Fig. 10

Wiring Diagrams:

Without sensor



With sensor

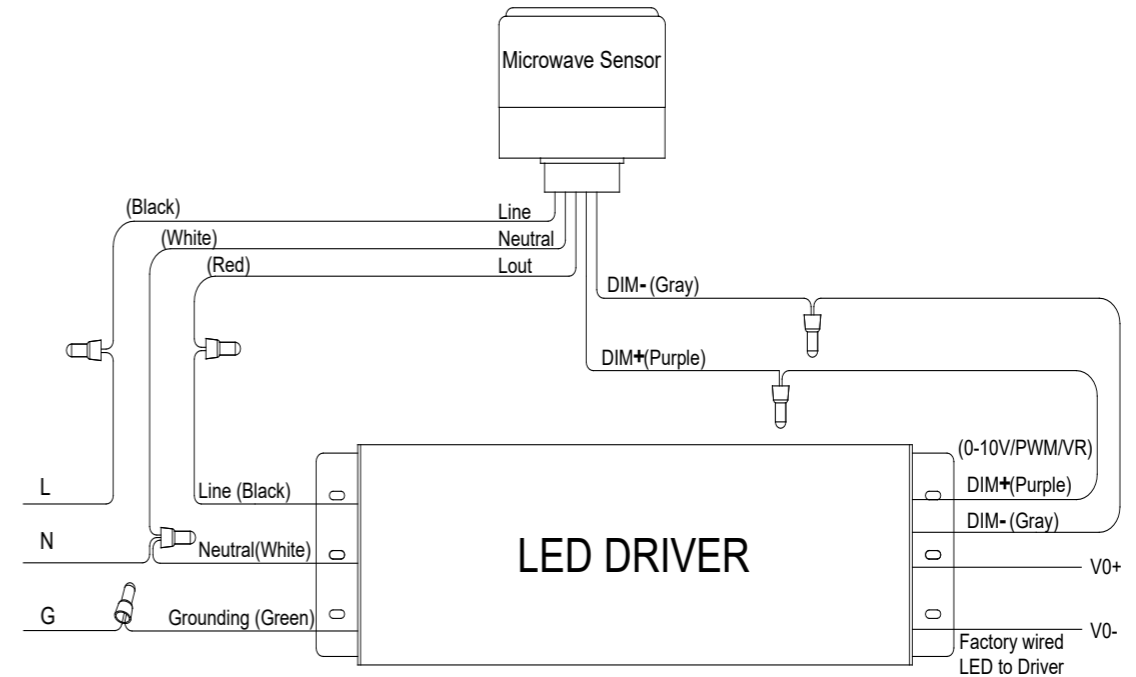


Fig. 11

After installation, please.

- Check whether the lighting fixture is firmly fixed.
- Check whether wires are connected correctly.

At last, turn on the power, and check if the lighting fixture works well. If not, please turn off the power and contact with your sales representative.



FOR MORE LIGHTING INFO CALL

1460 PARK AVENUE, EMERYVILLE, CA 94608

510.891.1056

HELLO@SOLTECHLIGHTING.COM

SOLTECHLIGHTING.COM



FOR MORE LIGHTING INFO CALL

1460 PARK AVENUE, EMERYVILLE, CA 94608

510.891.1056

HELLO@SOLTECHLIGHTING.COM

SOLTECHLIGHTING.COM