

MODELS: STL-WMG50XYZZ, STL-WMG80XYZZ, STL-WMG120XYZZ

1. Introduction

- This LED Flood light uses the latest solid state lighting technology for long life, low maintenance, and high efficiency.
- An internal power-factor-corrected switch-mode supply allows it to be used from any nominal 100-277V, 60Hz AC supply without any variation in light output.
- Suitable for use in the following locations:
Ambient Temp: -20~+40°C
Wet Locations

Note: Save these instructions for future reference.

Warning:

To avoid the risk of fire, explosion, or electric shock, this product should be installed, inspected, and maintained by a qualified electrician only, in accordance with all applicable electrical codes.

To avoid electric shock:

Be certain electrical power is OFF before and during installation and maintenance.

Luminaire must be connected to a wiring system with an equipment-grounding conductor.

For supply connections use wire rated for at least 100°C

2. Installation

1. Please refer to the **Fig. 1** to select the suitable mounting holes.
 - A** - For the mounting surface with a J-box.
 - B** - For the mounting surface without a J-box.
2. See Fig. 2. Open the **door**, fix the back plate of the fixture on the mounting surface by screws.
3. Make the wiring correctly.
4. Close the **door** and secure it by the screws reminding on the ear of the door.

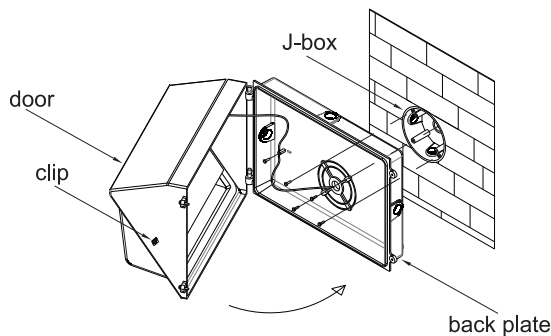
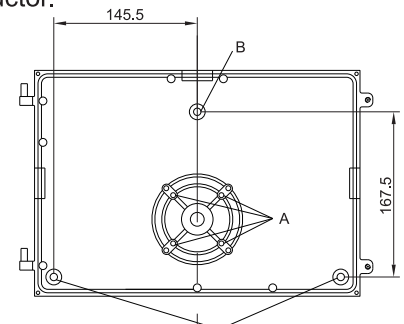
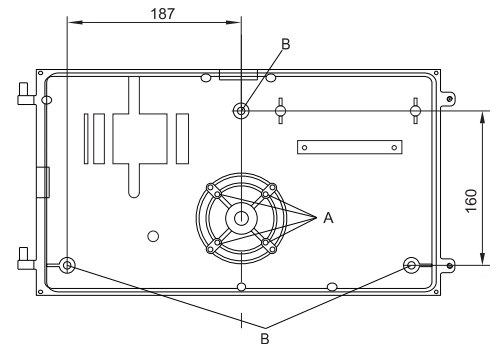


Fig. 2



(WMG50W, WMG60W, WMG80W)



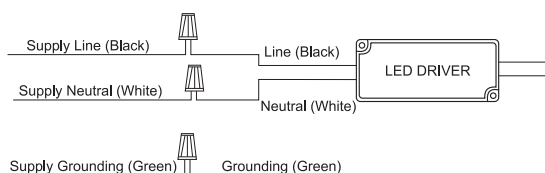
(WMG120W)

Fig. 1 Mounting holes options

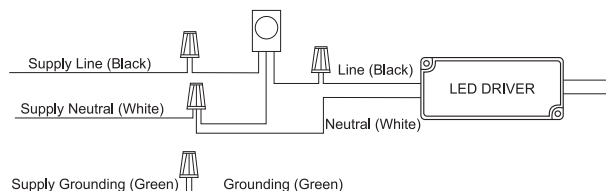
3. Wiring

All fixture could operate at 100-277VAC, 50 or 60 Hz

CAUTION: When a photocell mounted on the fixture, the fixture can only work under the rated voltage of the photocell.



Wiring layout without Photocell



Wiring layout with Photocell