

MODELS: STL-WMG30XYZZ

1. Introduction

- This LED wall pack uses the latest solid state lighting technology for long life, low maintenance, and high efficiency.
- An internal power-factor-corrected switch-mode supply allows it to be used from any nominal 100-277V, 60Hz AC supply without any variation in light output.
- Suitable for use in the following locations:
Ambient Temp: -20~+40°C
Wet Locations

Note: Save these instructions for future reference.

Warning:

To avoid the risk of fire, explosion, or electric shock, this product should be installed, inspected, and maintained by a qualified electrician only, in accordance with all applicable electrical codes.

To avoid electric shock:

Be certain electrical power is OFF before and during installation and maintenance.

Luminaire must be connected to a wiring system with an equipment-grounding conductor.

For supply connections use wire rated for at least 80°C

2. Installation

1. Please refer to the **Fig. 1**. Put the supply wires through the **back plate**. Fix the back plate on the mounting surface.

Important: Seal around the back plate with silicone glue after installation.

2. Remove the **front frame** by loosen the 4 screws, take off the **LED module**.
3. Put the supply wires through the **housing** and use the **nut** to secure the housing on the back plate.
4. Make the wiring correctly and secure the LED module back to the housing.
5. Put the front frame back to the housing and secure by screws.

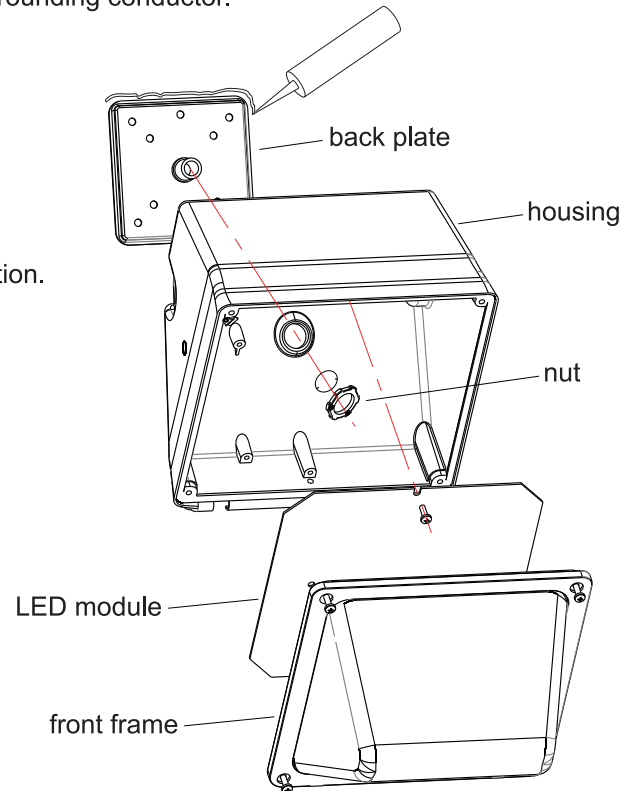
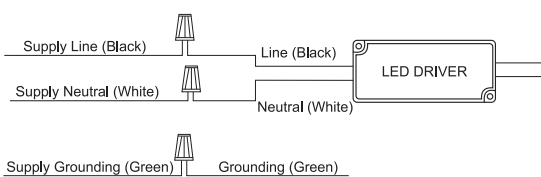


Fig. 1

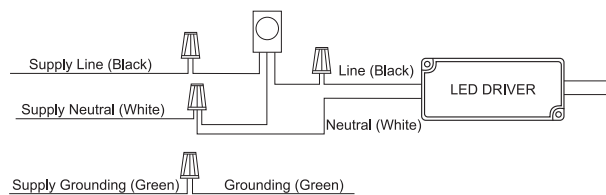
3. Wiring

The fixture could operate at 100-277VAC, 50 or 60 Hz

CAUTION: When a photocell mounted on the fixture, the fixture can only work under the rated voltage of the photocell.



Wiring layout without Photocell



Wiring layout with Photocell