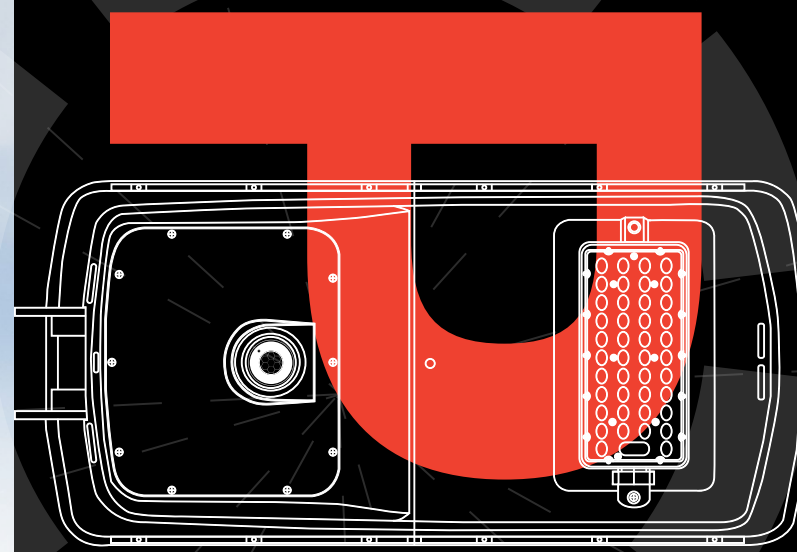


SUNLIKE PRO 30W IS DESIGNED FOR ADVENTURE.

Dependable From The Mojave
Desert To The Alaskan Tundra.



SUNLIKE Solar Area Lights 30W

Even in the most frigid weather, solar panels can turn sunlight into electricity. Solar panels create energy from sun light—not the sun’s heat. When photons from sunlight hit the solar panel’s photovoltaic cells, electrons in the silicon are put into motion. In addition, the coldest winter days after snow typically have the best sunshine in the winter.



For more information, please visit our website:
www.soltechlighting.com



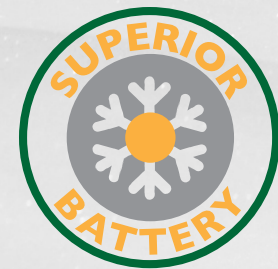
APPLICATIONS

30W SUNLIKE PRO Area Lights

Does Off-grid Solar Lighting Work In Cold Weather?

THE SUNLIKE PRO 30W CAN.

Even in winter months, if sunlight is hitting a solar panel, it will generate electricity. Cold climates are actually optimal for solar panel efficiency. Contrary to common belief, heat diminishes the solar panel's electricity production. Soltech adopted unique, innovative battery technology to overcome the shortcomings of solar lighting system's cold weather performance. The super cold-tolerant battery technology in the SUNLIKE PRO 30W provides excellent low-temperature charge and discharge performance.



MPPT Controller

- Maximum Power Point Tracking (MPPT) is a technique for tracking and regulating the output energy from the solar panel to the battery.
- Measures the solar panel output voltage and current in real-time and continuously tracks the maximum power.
- Regulates the output voltage so that the system can always charge the battery with the maximum power.
- Significantly improves the solar system energy utilization rate, with a conversion efficiency up to 97%.
- Increases the solar system's charging efficiency by at least 20% compared to Pulse Width Modulation (PWM).

(IAP) Intelligent Adaptive Program Battery Control Technology

In order to extend the off-grid autonomy of the SUNLIKE PRO 30W under shady trees, heavy rain, and thick clouds, our controllers now integrate an adaptive smart control feature to actively track battery capacity and adjust light output accordingly. This feature out-performs utilizing a constant percentage of max LED brightness. With (IAP), the controller actively monitors the battery and optimizes the electrical current to the LEDs. The IAP controller applies the selected percentage output from the remote, to the battery capacity, rather than the max LED output. This smart-control feature can increase SUNLIKE PRO's off-grid performance by up to 40%.



FEATURES

30W SUNLIKE PRO Area Lights



50+ Hours Max Autonomy

- Up to 691 WH battery capacity
- Full self-charging time is less than 11 hrs
- One-key smart programming



High Brightness, Smart Power Consumption

- >200lm/W—the highest efficiency in the industry
- PIR motion sensor and one-key automatic dimming
- Automatically switches to 40% energy saving mode during low battery levels



Complete Universality

- 5 different mounting options
- Designed for round pole, square pole and wall pack applications
- Acts as a solar area light



Greater Energy Production

- Up to 52W Mono Crystalline Solar Panel
- Adjustable angle for the fixture head allows maximum solar collection and self-cleaning of the solar panel surface



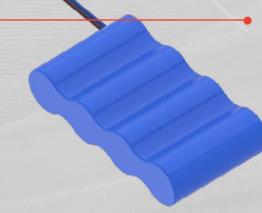
Longer Life

- Grade A Superior Battery Pack, 2000+ full charging cycles
- Lumileds 5050 LED chips



Low Maintenance Design

- Field-replaceable battery functionality via quick connections
- Die cast A380 aluminum fixture housing is rust-free
- 10+ year warranty options for municipal utility projects

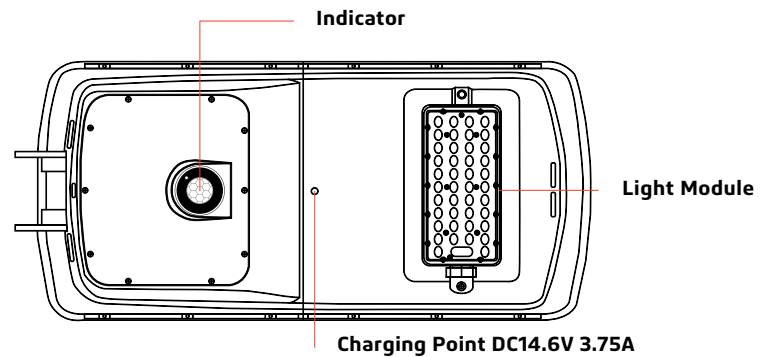
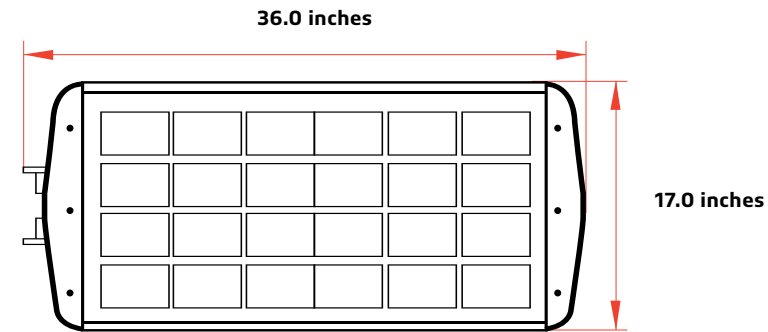
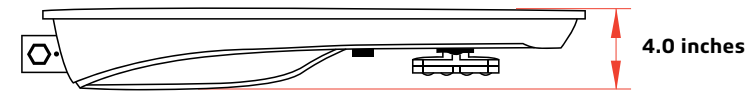


Superior Battery

- Maintains a long cycle lifetime with minimal change in performance
- Provides high power density and high load currents to achieve high-speed charging in seconds.
- Exceptional low temperature performance delivering energy and charging down to -40°C.

DIMENSIONAL DRAWINGS

SUNLIKE 30W PRO



SPECIFICATIONS & PERFORMANCE

30W SUNLIKE PRO Area Lights

Superior battery technology has been engineered into the SUNLIKE 30W PRO. It provides excellent low-temperature charging and discharging performance.

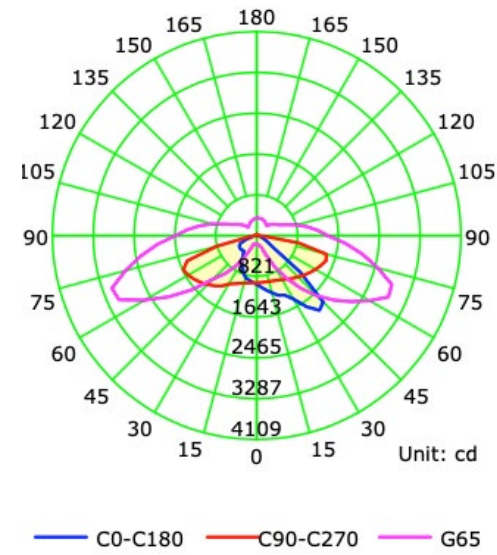
SPECIFICATIONS	SUNLIKE 30W PRO
LED NOMINAL POWER	30W
SOLAR PANEL	18V 52W
BATTERY	320WH 12.8V 25AH Superior Battery
WEIGHT	47.1 Lbs
LUMEN OUTPUT@5000K	6,000
EPA	6.26
IP RATING	IP65
CRI	CRI > 70
CASTING	ALUMINUM
EFFICIENCY@5000K	200 LM/W
LED CHIP	Lumileds 5050 (215 LM-CR>70)
* CHARGING TIME	7 Hrs
RUN TIME (@FULL POWER)	11 Hrs
OPERATION MODE	REMOTE CONTROL AND ONE-KEY SETTING
INSTALLATION HEIGHT	9 to 12 ft
* OPERATING TEMPERATURE	-40 °F to 140 °F
* CHARGING TEMPERATURE	-58 °F to 140 °F

* The temperature can impact the battery's charging and normal operation.

* The solar charge time data is based on 77 degree F ambient temperature with the panel pointed directly at the solar radiation. The standard radiation value is 1000W/m².

PHOTOMETRY

SUNLIKE PRO 30W



PRODUCT NUMBER BUILDER

Example: **STLSTC0303WMGYPRO**

This example product number is for SUNLIKE PRO 30 watt, 3000K CCT, wall mount installation, with a gray finish.

SERIES	WATTAGE	COLOR TEMPERATURE	MOUNTING OPTIONS	FINISH
STLSTC=SUNLIKE	030=30W 6000 LUMENS	X=3=3000K X=4=4000K X=5=5000K X=6=5700K	YY=WM=WALL MOUNT YY=TRR=TRUNNION ROUND YY=TRS=TRUNNION SQUARE YY=SF=SLIP FITTER YY=SA=STRAIGHT ARM	ZZ=GY=GRAY ZZ=BZ=BRONZE

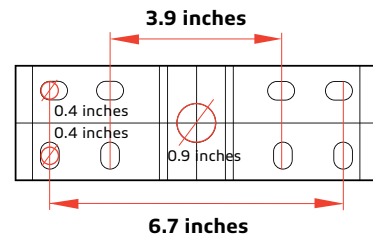
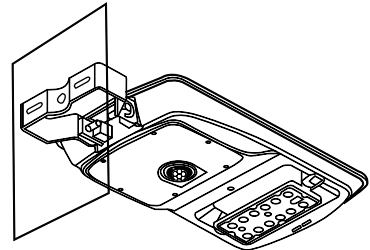
Sample Number: STLSTC030XYYZZPRO

Please **DO NOT** send the generic sample number directly to our salesperson. Use the information in the chart, above, to create a model number with the correct series, wattage, CCT, mounting options, and finish for the product options that you want.

MOUNTING ACCESSORIES (SUNLIKE Pro 30W)

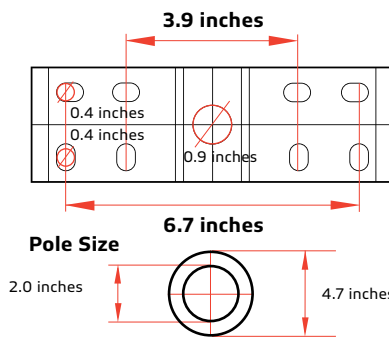
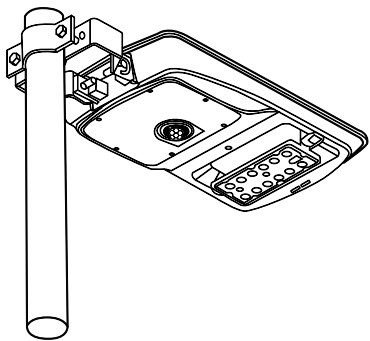
This fully integrated luminaire has mounting options for every application, from wall mount to straight arm. The SUNLIKE PRO 30W can be implemented in almost any outdoor project.

A. TRUNNION—Wall Mount



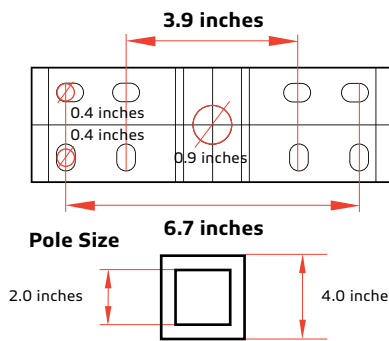
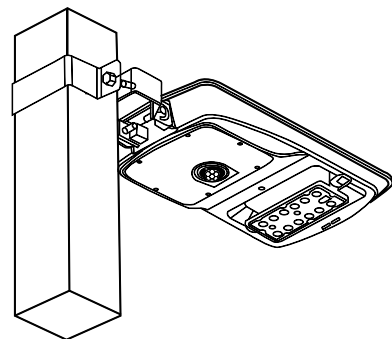
A-b. STLSTC-TRS-30W PRO (for SUNLIKE PRO 30W)

B. TRUNNION—Round



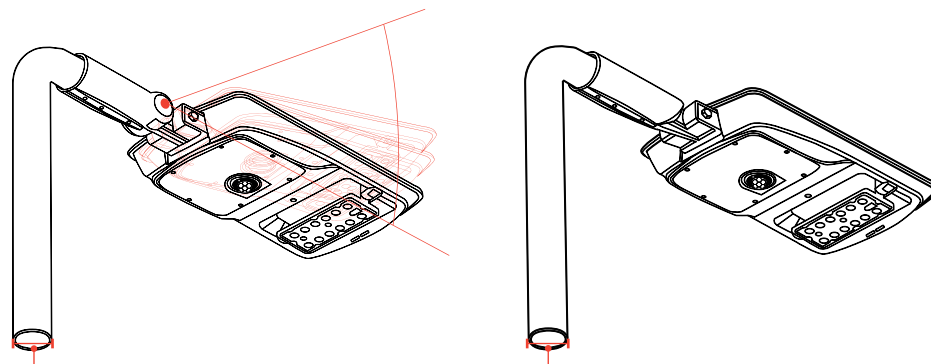
B-b. STLSTC-TRR-30W PRO (for SUNLIKE PRO 30W) works with 2.0 inches to 4.7 inches poles.

C. TRUNNION—Square

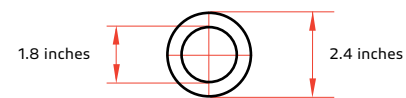


C-b. STLSTC-TRS-30W PRO (for SUNLIKE PRO 30W) works with 2.0 inches to 4.0 inches poles.

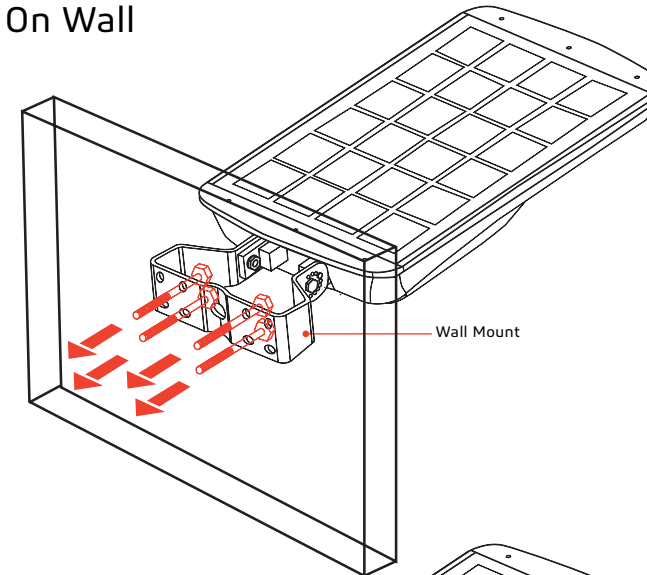
SLIP FITTER—Rotative And Straight Arm



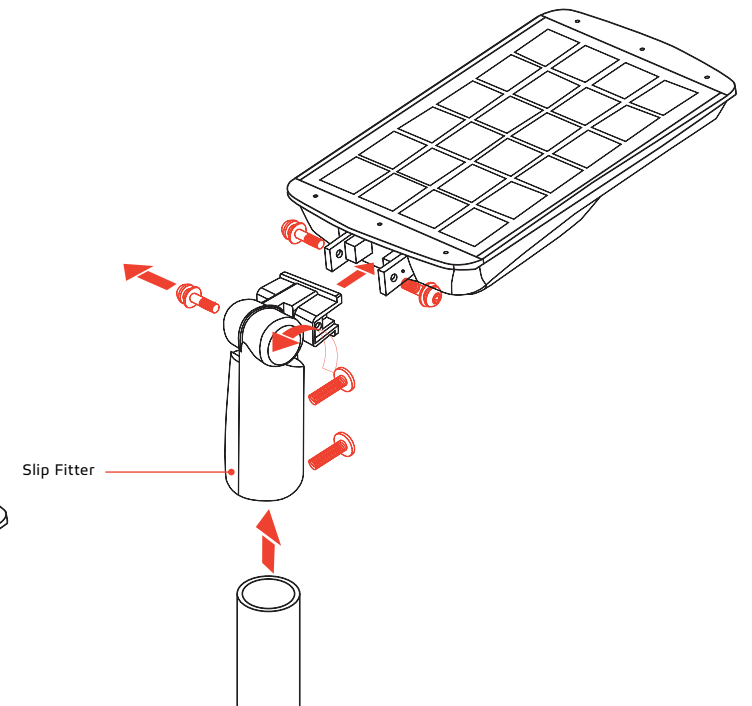
Pole Size For Slip Fitter And Straight Arm



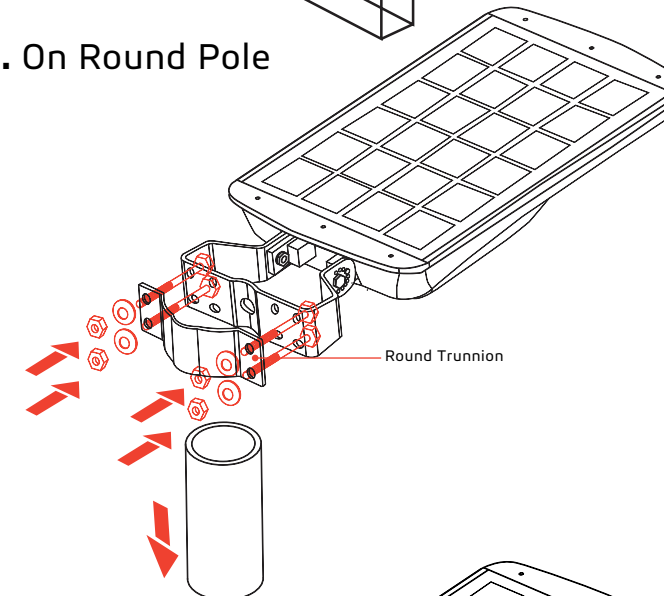
A. On Wall



D. On Round Tapered Pole—Slip Fitter



B. On Round Pole



E. On Round Tapered Pole—Straight Arm

