

SOLPAD

SOLAR
LED FLOOD
LIGHT
5W 500LM 4,000K



SOLTECH offers advanced LED technology that is eco-friendly and utilizes clean energy.



1460 Park Avenue.
Emeryville CA 94608 USA
www.soltechlighting.com

Please read and follow all instructions to operate. Save this manual for future reference.

REACH EN62471 CE RoHS

SOLTECH LLC reserves the right to update all product data sheets at any time. Consult SOLTECH marketing specialists for publication updates at www.soltechlighting.com

Copyright©2021-2022 SOLTECH LLC, All Rights Reserved.

01 INTRODUCTION

1. This is a solar powered lamp, please install it in a location where it can get enough sunshine.
2. Please note the duration of the light depends on sun intake & weather.
3. The lamp will automatically turn on at dusk.
4. Built-in IC with over-charge, over-discharge, and over-voltage protection.

Warning

1. The lamp is equipped with internal batteries. Non-professionals please do not disassemble the lamp.
2. Please do not dispose the battery in household garbage to avoid explosion.



WATERPROOF



SUPER BRIGHT



CORDLESS



DUSK TO DOWN SENSOR



MOTION SENSOR



LOW COST

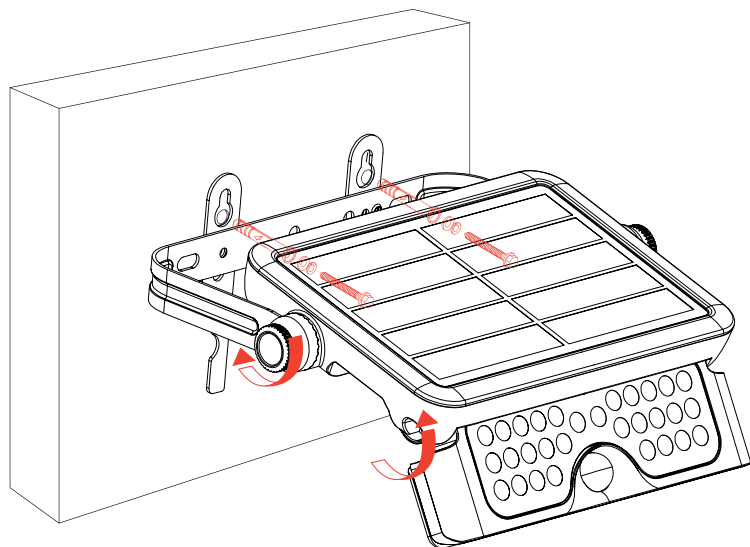
02 SPECIFICATIONS



POWER / LUMEN	5W / 500LM
LED	SMD 2835 X 30PCS
LI-ION BATTERY	3,000mAh / 3.7V
SOLAR PANEL	2.3 Wp, Mono-crystalline Silicon
LIGHTING PANEL	135° Adjustable
BRACKET	360° Adjustable
WORKING MODE	3 Different Modes
DETECTION ANGLE / AREA	120° / 19.7ft
BEAM ANGLE	90°
IP DEGREE	IP65
WARRANTY	3 YEARS
LIFESPAN	35,000 hrs
INSTALLATION HEIGHT	≤13.1 ft
PACKING	Solar Light X 1, Screw Bag X 1, User Manual X 1

03

INSTALLATION

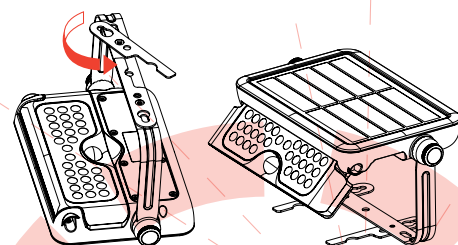


A: Wall Mounted

1. Prepare lamp, accessories, and tools.
2. Use the Allen wrench to loosen the bracket and adjust to the appropriate angle then screw tightly.
3. Use the Allen wrench to loosen the light module then pull it out and adjust to appropriate lighting angle.
4. Mount the lamp onto any wall surface or lamp post.

B: Stand On Flat Surface

1. Prepare lamp, accessories, and tools.
2. Use the allen wrench to loosen the bracket



04

OPERATING MODES

Press the power button then program the operating mode. Charge for 6 hours to get 3-4 nights of light.



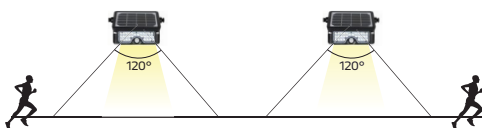
Power Button

Press the ON/OFF button, the lamp will automatically turn to Sensor mode. If you press down on the button for 3 seconds, the lamp will flash one time and change to Constant Lighting mode.



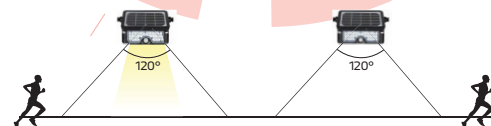
When battery capacity is above 30%

Automatically turns on to full brightness (500LM) when motion is detected in the range <19.7ft then dims down in brightness after 20 seconds of no motion.



When battery capacity is below 30%

Automatically turns on to full brightness (500LM) when motion is detected in the range <19.7ft, then turns off after 20 seconds of no motion.



CONSTANT MODE

Press the On/Off button for 3 seconds to activate constant lighting mode. The light will flash one time to indicate the mode has been switched. Both motion and light sensors are disabled. The lamp will remain on constant lighting until the battery capacity reduces switching back to sensor mode.

