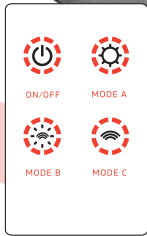


SOLPORT

SOLAR LED
WALL LIGHT
7W 700LM 4,000K



SOLTECH offers advanced LED technology that is eco-friendly and utilizes clean energy.

1460 Park Avenue.
Emeryville CA 94608 USA
www.soltechlighting.com

Please read and follow all instructions to operate. Save this manual for future reference.



SOLTECH LLC reserves the right to update all product data sheets at any time. Consult SOLTECH marketing specialists for publication updates at www.soltechlighting.com

Copyright©2021-2022 SOLTECH LLC, All Rights Reserved.

01 INTRODUCTION

1. This is a solar powered lamp, please install it in a location where it can get enough sunshine.
2. Please note the duration of the light depends on sun intake & weather.
3. The lamp will automatically turn on at dusk.
4. Built-in IC with over-charge, over-discharge, and over-voltage protection.

Warning

1. The lamp is equipped with internal batteries. Non-professionals please do not disassemble the lamp.
2. Please do not dispose the battery in household garbage to avoid explosion.



WATERPROOF



SUPER BRIGHT



CORDLESS



DUSK TO DOWN SENSOR



MOTION SENSOR



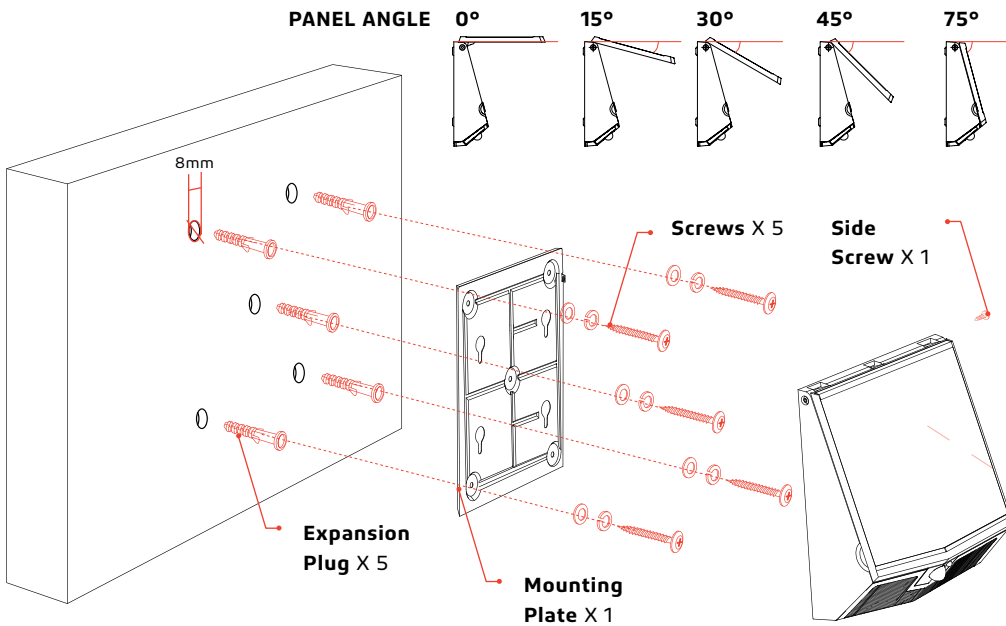
LOW COST

02 SPECIFICATIONS

POWER / LUMEN	7W / 700LM
LED	SMD 2835 X 50PCS
LI-ION BATTERY	5.4Ah / 3.7V
SOLAR PANEL	3.7Wp, Mono-crystalline Silicon
WORKING MODE	3 Different Modes
DETECTION ANGLE / AREA	120° / 16.4-26.2ft
BEAM ANGLE	80*100°
IP DEGREE	IP65
WARRANTY	3 YEARS
LIFESPAN	35,000 hrs
INSTALLATION HEIGHT	9.8-13.1 ft
PACKING	Solar Light X 1, Screw Bag X 1, User Manual X 1

03

INSTALLATION



1. Remove the mounting plate from the lamp

- Remove the screws on the side of the mounting plate.
- Slide the mounting plate down to remove from lamp.

2. Fix the mounting plate on the wall

- Put the mounting plate on the wall and mark 5 hole positions.
- Drill 5 holes of 8mm with depth 60-65mm on the wall.
- Fix expansion plugs into the holes.
- Fix the mounting plate to the wall with screws using a screwdriver.

3. Fix lamp onto the mounting plate

- Position the lamp on the mounting plate then slide down to fasten.
- Tighten the screws on the side of the mounting plate to secure.

4. Adjust solar panel angle and program operating mode

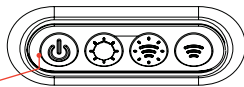
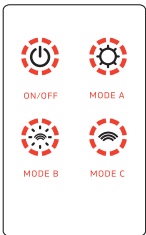
- Loosen the screws on both sides of the lamp
- Adjust the solar panel to the appropriate angle then tighten the screws on both sides of the lamp
- Press the Power Button to activate the lamp & the remote control.

04

OPERATING MODES

When you switch to a different operating mode, the lamp will flash one time to indicate that the operating mode has been changed successfully

ON/OFF button with memory of the operating mode before it was turned off.



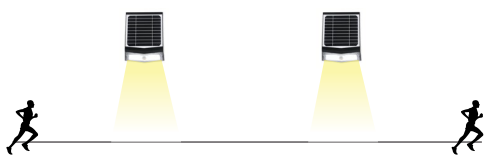
Power Button

Please press the power button on the lamp to activate the lamp and remote control.

IR Remote Control Control
Distance: ≤ 39.4ft

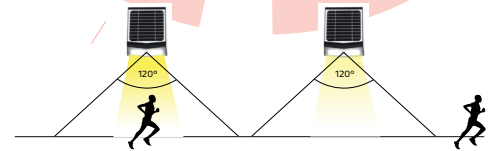
MODE A

Automatically turns on at dusk and remains at a constant 50% brightness (motion sensor disabled). After 5 hours or when battery capacity is below 30%, it will turn to Mode C.



MODE B

Main light automatically turns on to full brightness (700LM) when motion is detected in the range of 26.2 ft (bottom wall washing light is off). After 20 seconds of no motion, main light turns off and the bottom wall washing light automatically turns on.



MODE C

Main light automatically turns on to full brightness (700LM) when motion is detected in the range of 26.2 ft (bottom wall washing light is off). After 20 seconds of no motion, the whole light turns off.

