



FOCUS 10W 20W

APPLICATIONS

SOLTECH solar signage lighting FOCUS has an all-in-one design and comes complete with a self-contained solar power assembly sized to run the specified solar light fixture. Install FOCUS at businesses, stores, schools and community signs. FOCUS will bring security and sustainability, with no electric bill and low maintenance costs.

DESCRIPTION

FOCUS features an all-in-one design. The solar panel and battery are built with the hinged LED module as one complete system. There is no need for an extra power source, which eliminates the need for trenching, wiring, and electricity costs. Ideal for signage, billboards, landscaping, and architectural features. The fixtures will turn on at night, automatically, staying at 100% power for 4 hours (highest activity period) and then they dim down to 25%, for the rest of the night. FOCUS will bring security and sustainability with no electric bill and low maintenance costs.

CATALOG		COMMENTS
PROJECT		
PREPARED BY		
DATE		

CERTIFICATION DATA



ORDERING INFORMATION

SERIES	WATTAGE	COLOR TEMPERATURE	MOUNTING OPTIONS	SIZE
STL-JUP=FOCUS	10=10W 1000 Lumens 20=20W 2000 Lumens	4=4000K 5=5000K	ST=GROUND MOUNT	13=13 INCHES 26=26 INCHES

- - - -

SPECIFICATION FEATURES



Generates More Solar Energy

- Crystalline Solar Panel with 45 degree tilted angle design. Produces double the energy compared to horizontal panels
- Built-in tempered glass solar panel, designed to offer self-cleaning operation between rainy and sunny days



Longer Life

- LED life 50000 hours
- Easy to change modular battery pack for further extend product life
- Integrated Smart controller provides true dusk to dawn operation, with first 4-hours at full brightness, followed by 25% until dawn



Adjustable LED Module Design

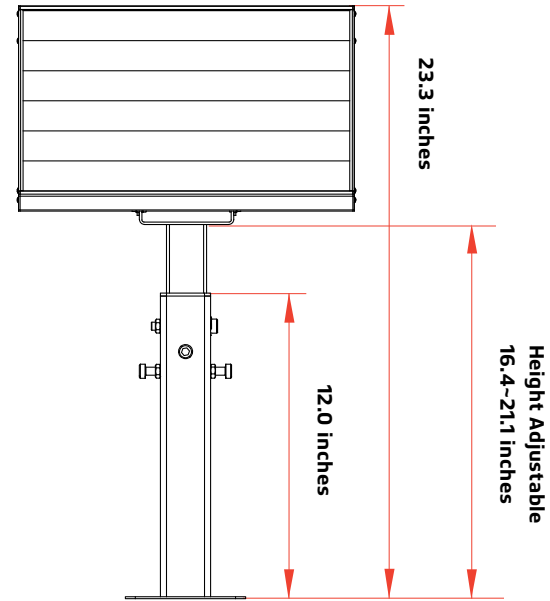
- The hinged LED module with solar panel is adjustable to aim at the target object
- The solar panel blocks most glare for observer eye comfort



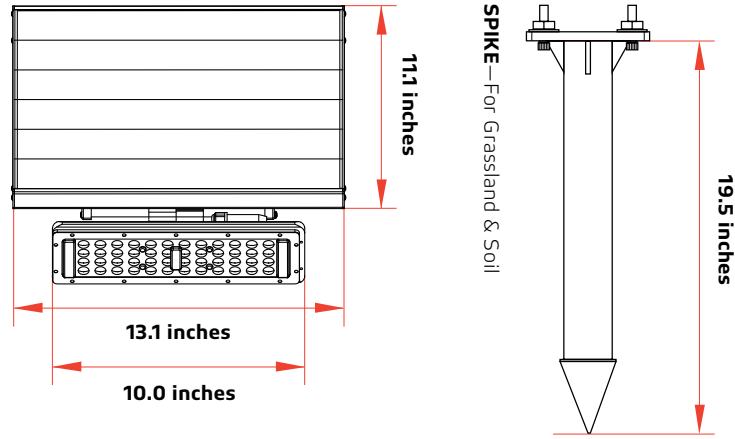
Heavy Duty and Flexible Base Design

- A commercial-grade steel base adjusts the height of the telescopic mount to ensure the fixture is at the right illumination height

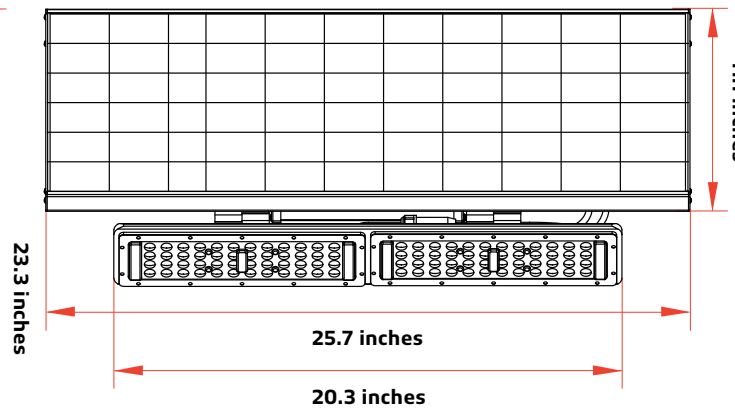
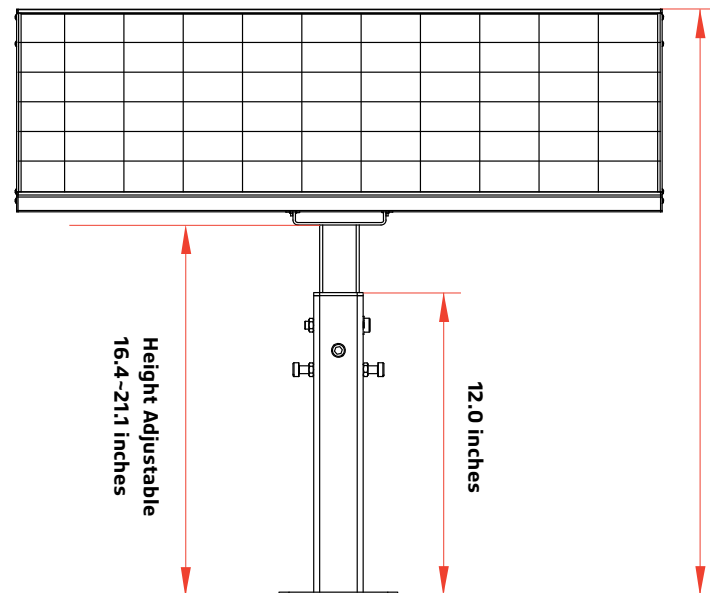
PRODUCT SIZE
FOCUS 10W



CATALOG	PROJECT	COMMENTS



FOCUS 20W



SPECIFICATIONS

CATALOG	PROJECT	COMMENTS

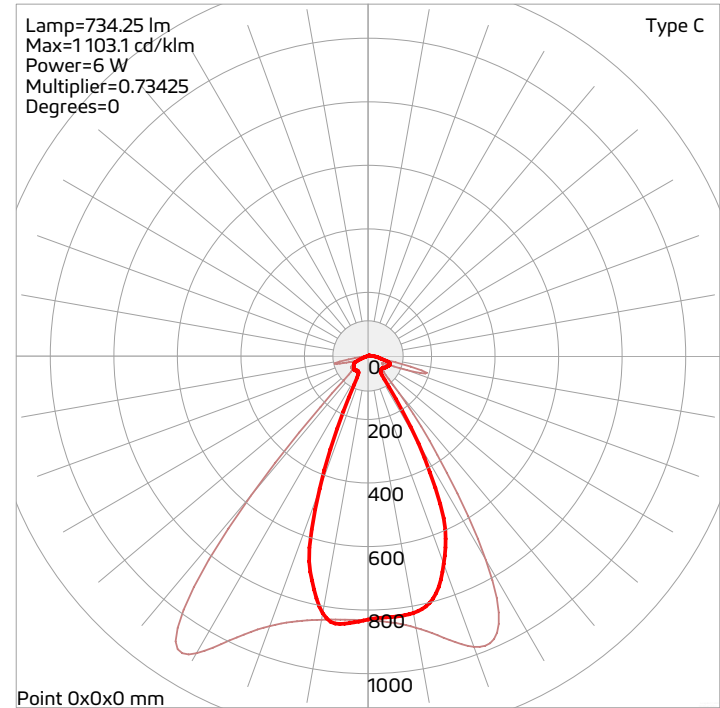
	10W	20W
LED Nominal Power	10W	20W
Solar Panel	12V 13W	12V 26W
Lithium Ion Battery	74WH 7.4V 10AH	148WH 7.4V 20AH
CCT	4,000K & 5,000K	4,000K & 5,000K
Lumen Output@5000K	1,000	2,000
CRI	> 70	> 70
LED Chip	OSRAM	OSRAM
Beam Angle	50° X 80°	50° X 80°
Waterproof Rate	IP65	IP65
Casting	PC & Aluminum	PC & Aluminum
Efficiency@5000K	100 lm/W	100 lm/W
* Charging Time	8-10hrs (1000W/m ²)	8-10hrs (1000W/m ²)
Run Time (@Full Power)	2-3 Days	2-3 Days
Operation Mode	First 4 hours 100% brightness, 25% brightness till dawn	First 4 hours 100% brightness, 25% brightness till dawn
* Operating Temperature	-20°C/-4°F to 149°F	-20°C/-4°F to 149°F
* Charging Temperature	0°C/32°F to 113°F	0°C/32°F to 113°F

* The temperature can impact the battery's charging and normal operation.

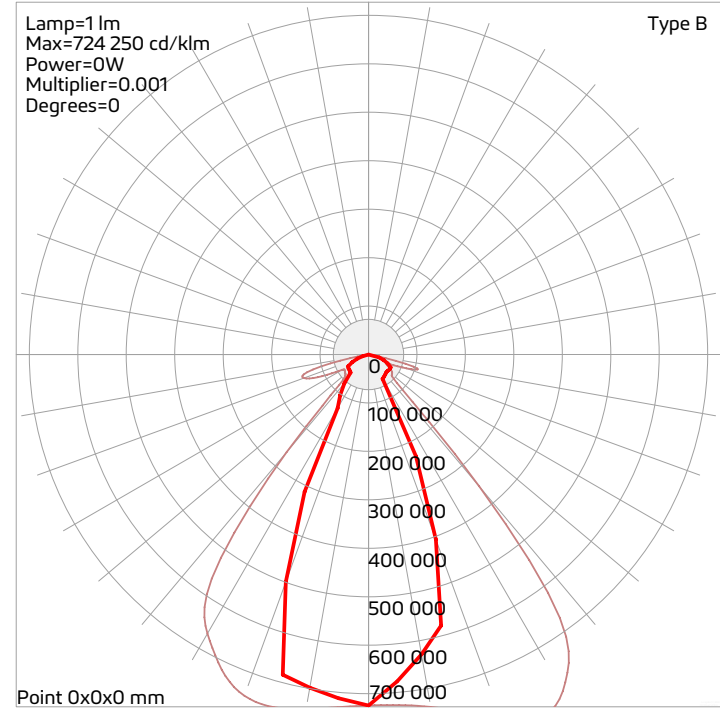
* The solar charge time data is base on 77 degree F ambient temperature with the panel pointed directly at the solar radiation. The standard radiation value is 1000W/m².

FOCUS 10W 20W

IES / BEAM



FOCUS 10W



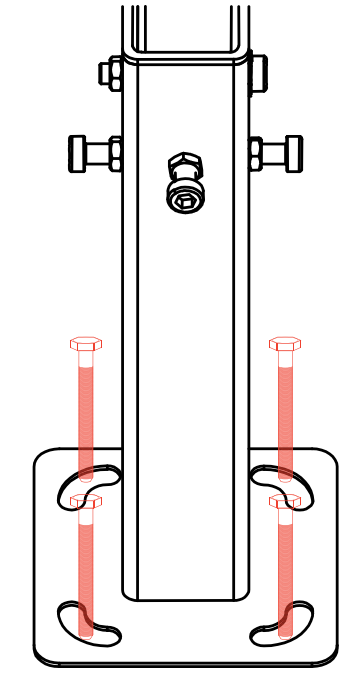
FOCUS 20W

CATALOG	PROJECT	COMMENTS

FOCUS 10W 20W

INSTALLATION

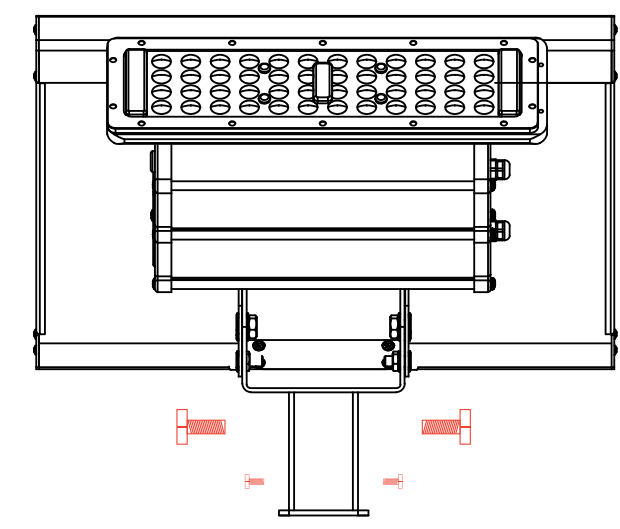
01



Secure Mounting

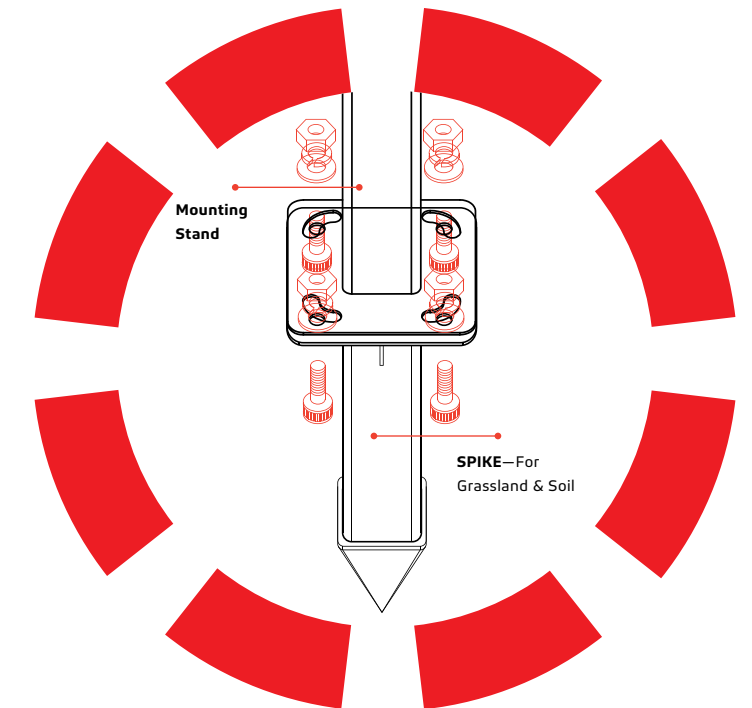
For signage near the ground, the FOCUS can use a drill installation into concrete, to create a secure, tightly bolted fixture.

02



Attach light by using scale holes

CATALOG	PROJECT	COMMENTS



For Grassland & Soil

If you want to install the FOCUS on grassland and soil, you need **SPIKE** accessory.

1. Attach the **SPIKE** to the **Mounting Stand** and secure with four screws.
2. Press it into the grassland or soil.

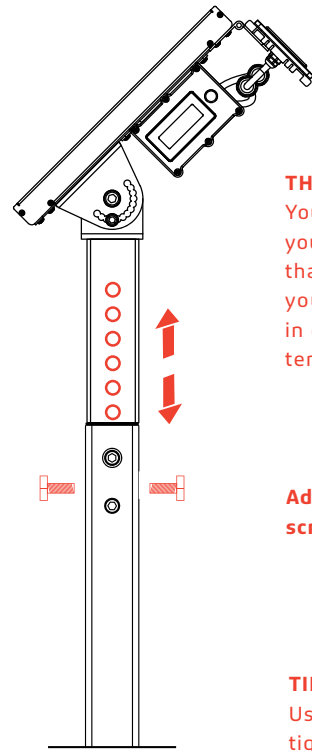
The FOCUS packaging does not include the spike, please place order separately.



FOCUS 10W 20W

INSTALLATION

03



THE RIGHT ANGLE

You can adjust the angles of your FOCUS solar light, ensuring that no matter the installation, you can provide a right angle in different weather, signs, or temperature situations.

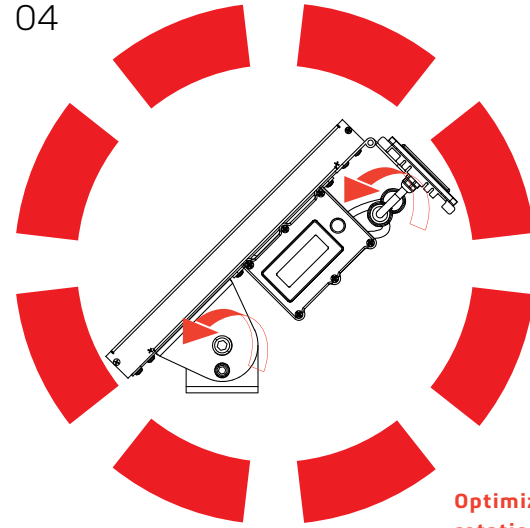
Adjust pole height, then tighten screws to position.

TIP

Use one bolt to set height, then tighten rest of the screws.

CATALOG	PROJECT	COMMENTS

04



Optimize efficiency by rotation Panel and Light



FOCUS 10W 20W

WARRANTY

FOCUS products are covered by a 3 year limited warranty. SOLTECH urban light warrants to the original purchaser that this product is free from defects in materials and workmanship for the period of 3 years from date of purchase. To obtain warranty service please contact your local distributor or sales rep for further instruction.

CATALOG	PROJECT	COMMENTS



1460 Park Avenue.
Emeryville, CA 94608 USA

www.soltechlighting.com

SOLTECH LLC reserves the right to update all product data sheets at any time. Consult SOLTECH marketing specialists for publication updates at hello@soltechlighting.com

Copyright©2022-2023 SOLTECH LLC, All Rights Reserved.