

**THE IDEAL
MOBILE
SOLAR SOLUTION
FOR
TEMPORARY
OUTDOOR
LIGHTING.**



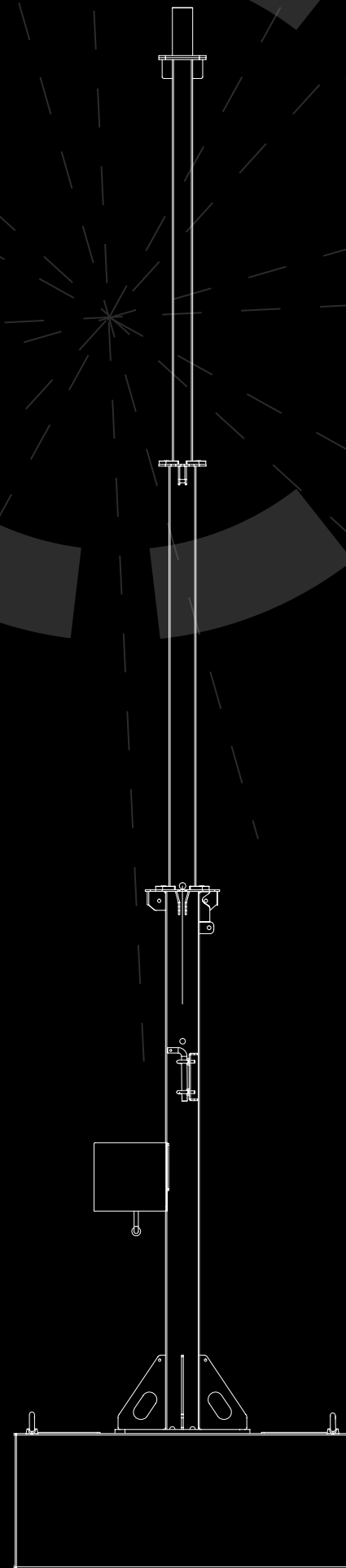
TEMPO

Mobile Solar Light Tower

Outdoor solar lighting systems use solar cells which convert sunlight into electricity. Electricity is stored in batteries for use at night. TEMPO Mobile Solar Light Tower combined with SUNLIKE solar lights are easy to install and virtually maintenance free. Using them avoids trenching, cabling, and electricity costs.



For more information, please visit our website:
www.soltechlighting.com





APPLICATIONS

TEMPO Mobile Solar Light Tower

THE IDEAL MOBILE SOLAR SOLUTION FOR TEMPORARY OUTDOOR LIGHTING.

The TEMPO mobile solar light tower is the ideal solution for temporary outdoor solar lighting. When combined with the SUNLIKE 20W/30W or SUNLIKE PRO 30W, the TEMPO light tower can be easily transported from location to location, without trenching, cabling, electricity, nor diesel fuel costs.

LIGHTING FIXTURE OPTIONS
• SUNLIKE PRO 30W 6,000 lumen
• SUNLIKE 20W 4,000 lumen
• SUNLIKE 30W 6,000 lumen
(SOLAR FIXTURE NOT INCLUDED)

OPTIONS
• SUNLIKE PRO 30W 6,000 lumen
• SUNLIKE 30W 6,000 lumen
(SOLAR FIXTURE NOT INCLUDED)

(Eight Light towers on a regulation soccer field)

Lights: Eight 30-watt fixtures
Light Height: 13 ft.

Lighting Area: 400X250 ft.

Luminosity: 0.35 f/c average across the entire area

Both SUNLIKE PRO 30W & SUNLIKE 30W provide the same luminance, but SUNLIKE PRO is designed for colder weather with the superior battery pack.

OPTIONS
• SUNLIKE 20W 4,000 lumen
(SOLAR FIXTURE NOT INCLUDED)

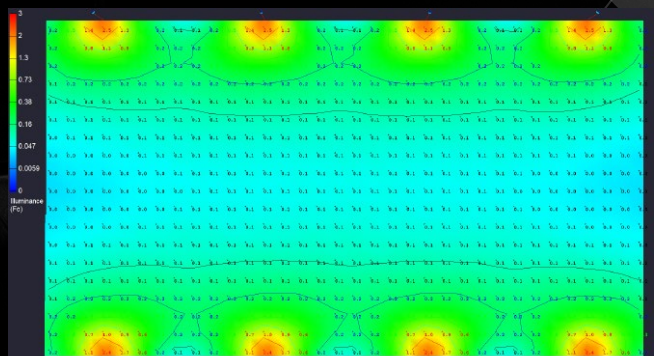
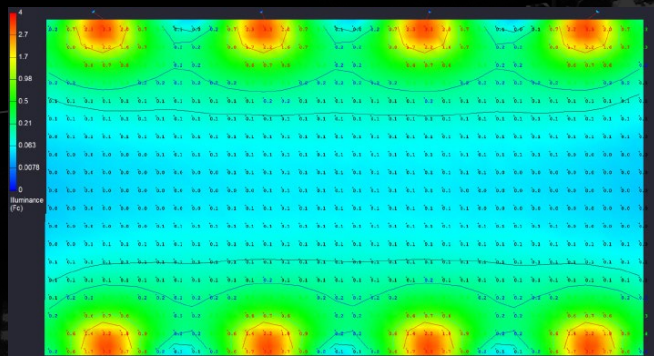
(Eight Light towers on a regulation soccer field)

Lights: Eight 20-watt fixtures
Light Height: 13 ft.

Lighting Area: 400X250 ft.

Luminosity: 0.25 f/c average across the entire area

SUNLIKE 20W lights up the same coverage area with a darker luminosity. This option is more affordable and high cost-performance rate.



FEATURES



Flexible Light Distribution Range

- Collapsed height of 7 ft (2m)
- Maximum of 13 ft tall, providing a range of light distributions



Heavy Duty Construction

- Steel mast, 3 sections, 13 ft maximum
- Manual winch for up to 1500 lbs



Clean, Quiet & Environmental Friendly

- No toxic generator exhaust
- Quiet and produce no fumes
- Ideal alternative to diesel or gas generator-powered light tower



Greater Cost Savings

- Eliminates trenching, cabling, electricity, and diesel fuel costs.



Easy To Install and Transport

- Forklift pockets, base 40 in x 40 in (standard pallet-size)
- 4 manual stabilizer legs

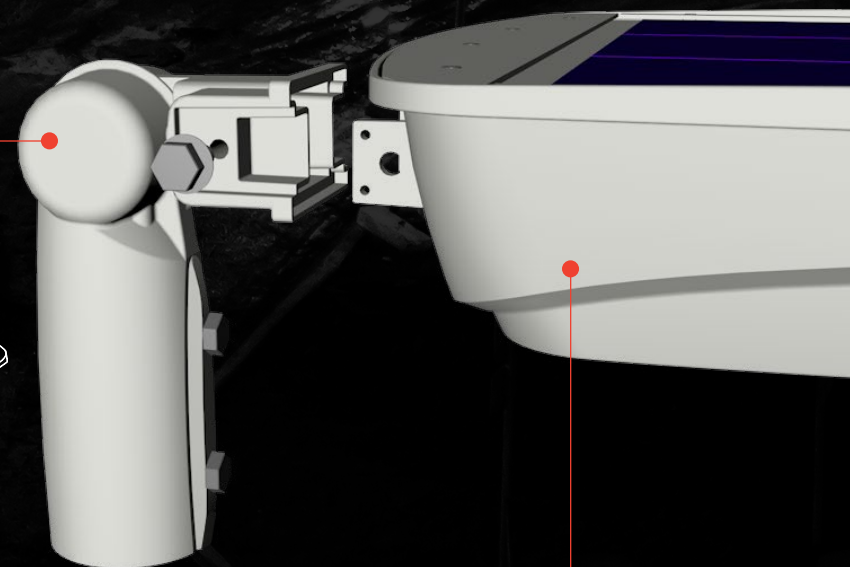
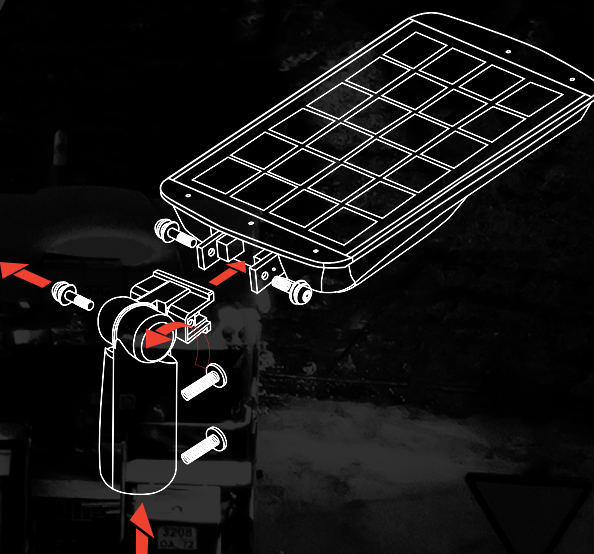


High Quality Construction

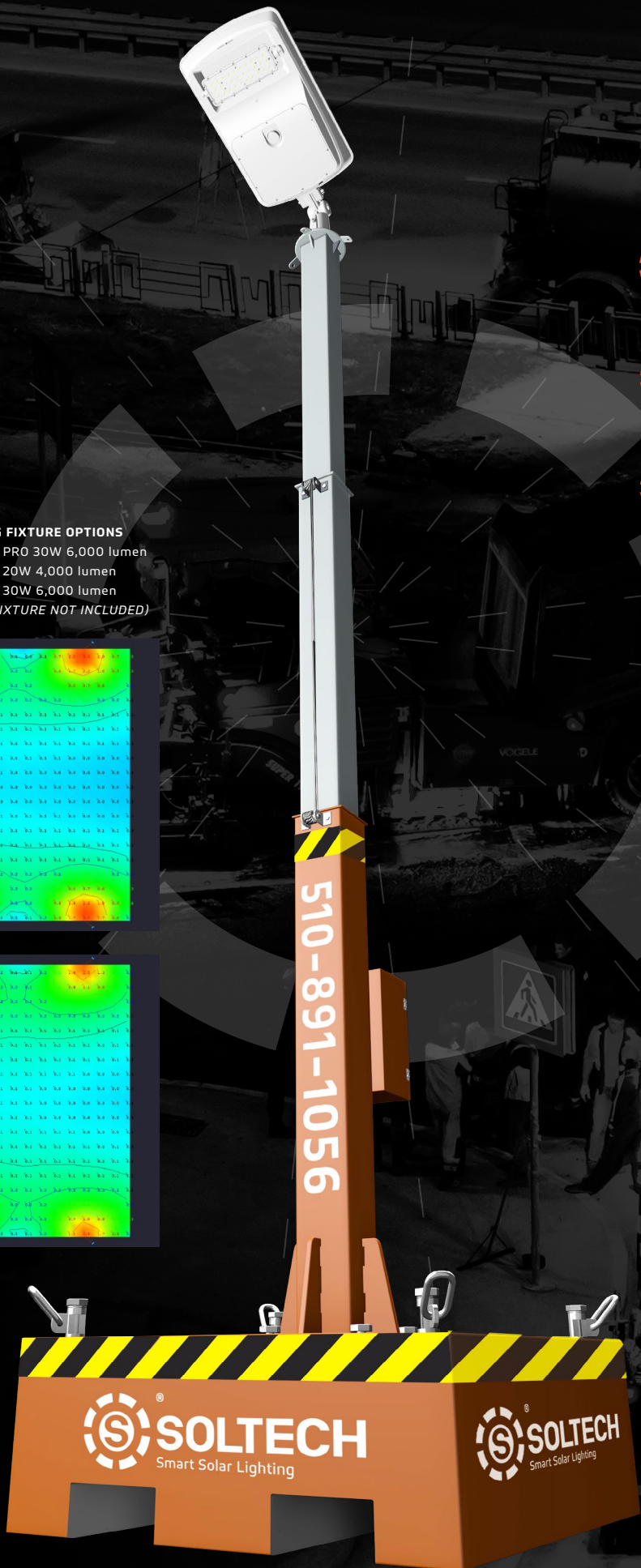
- Powder-coated base, painted high-visibility orange
- SUNLIKE mounting hardware included
- Provides a wider illumination area at 16ft max height (including fixture)

SLIP FITTER

Adjustable angle for the fixture head allows maximum solar collection and self-cleaning of the solar panel surface

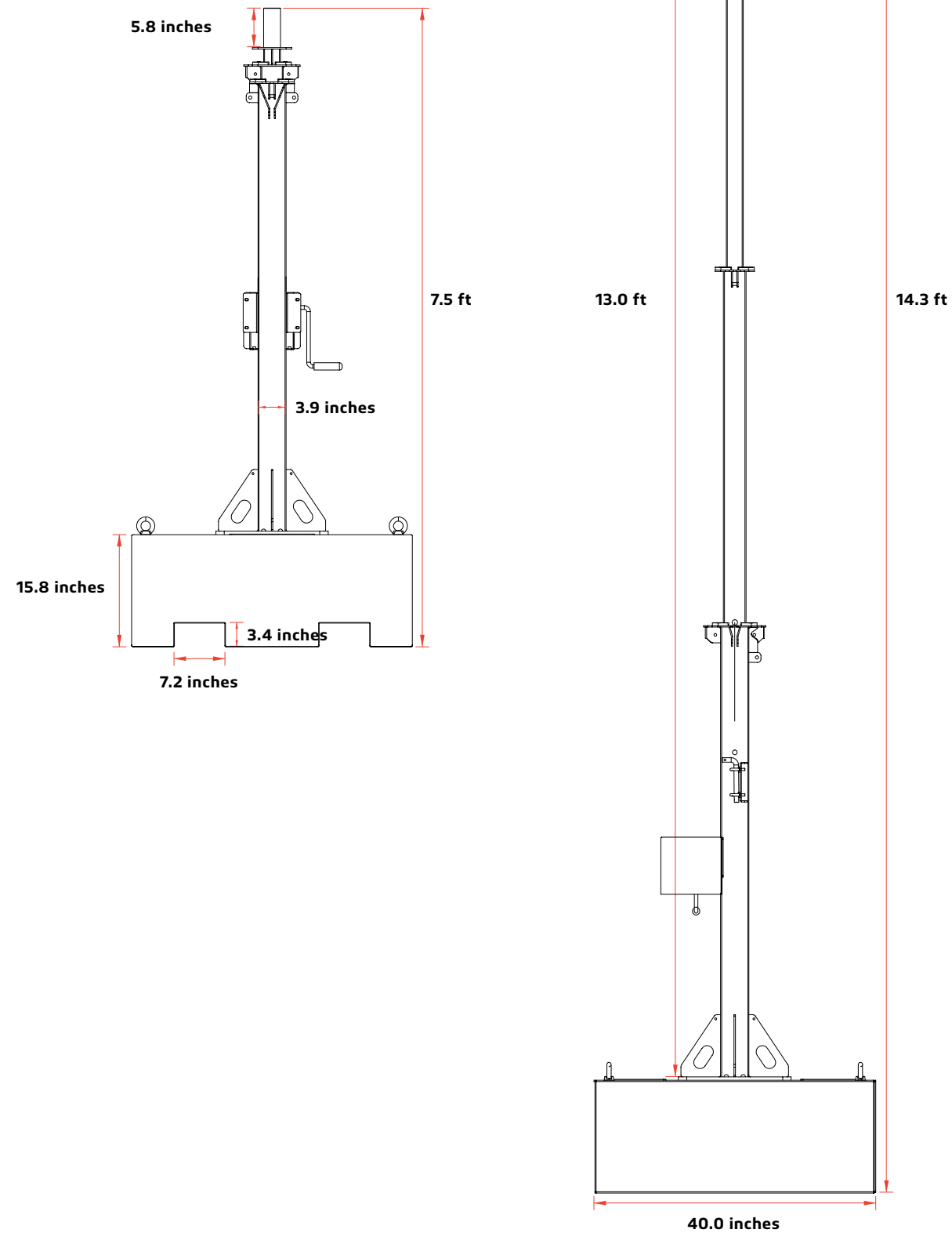


SUNLIKE reduces total cost of ownership, and delivers high performance. This fully-integrated LED solar area light is designed for both residential and commercial areas, in four different lumen outputs: 4000lm and 6000lm. SUNLIKE provides superior quality light over a greater area. The integrated solar array, battery, and LED fixture simplifies mounting, for fast and easy installation. SUNLIKE eliminates trenching, cabling, electricity, and diesel fuel costs.



DIMENSIONAL DRAWINGS

TEMPO Mobile Solar Light Tower



SPECIFICATIONS & PERFORMANCE

TEMPO Mobile Solar Light Tower

Unlike other construction site light towers, TEMPO has a removable mast head for easier storage and transportation. The forklift pocket enables safe and easy lifting, transporting, and placement.

SPECIFICATIONS	TEMPO
MAX HEIGHT	14.3 ft (Without Luminaire)
COLLAPSED HEIGHT	7.5 ft (Without Luminaire)
MAST MATERIAL	Steel
MAST PROFILE	Square
MAST SECTIONS	3
OPERATION	Manual Winch 1500 Lbs
MAST MAX LOAD	110 Lbs
MAX WIND SPEED	90 mph
WARNING STRIPS	Included
LIFT LIMIT STOPPER	Included
LIFTING EYES	X 4
FORK POCKETS	Included
WHEEL	N/A
MAST FLANGE	Removable
WEIGHT	770 Lbs (Without Sand Ballasting and Luminaire)
DIMENSIONS	40.0 inches X 40.0 inches X 90.0 inches (Collapsed Without Luminaire)

LUMINAIRE SPECIFICATIONS

TEMPO Mobile Solar Light Tower

SPECIFICATIONS	SUNLIKE 20W	SUNLIKE 30W	SUNLIKE PRO 30W
LED NOMINAL POWER	20	30	30
SOLAR PANEL	18V 36W	18V 52W	18V 52W
BATTERY	256WH 12.8V 20AH LiFePO ₄	384WH 12.8V 30AH LiFePO ₄	320WH 12.8V 25AH Superior
WEIGHT	21.4 Lbs	29.8 Lbs	47.1 Lbs
LUMEN OUTPUT@5000K	4,000	6,000	6,000
IP RATING	IP65	IP65	IP65
CRI	CRI > 70	CRI > 70	CRI > 70
CASTING	ALUMINUM	ALUMINUM	ALUMINUM
EFFICIENCY@5000K	200 LM/W	200 LM/W	200 LM/W
LED CHIP	Lumileds 5050 (215 LM-CR>70)	Lumileds 5050 (215 LM-CR>70)	Lumileds 5050 (215 LM-CR>70)
* CHARGING TIME	7 Hrs	7 Hrs	11 Hrs
RUN TIME (@FULL POWER)	10 Hrs	10 Hrs	10 Hrs
OPERATION MODE	REMOTE CONTROL AND ONE-KEY SETTING	REMOTE CONTROL AND ONE-KEY SETTING	REMOTE CONTROL AND ONE-KEY SETTING
INSTALLATION HEIGHT	9 to 16 ft	9 to 20 ft	9 to 20 ft
* OPERATING TEMPERATURE	-20°C/-4°F to 122°F	-20°C/-4°F to 122°F	-40°C/-40°F to 140°F
* CHARGING TEMPERATURE	0°C/32°F to 149°F	0°C/32°F to 149°F	-40°C/-40°F to 140°F

* The temperature can impact the battery's charging and normal operation. If your site's temperature is under 32°F, we advise you to use the SUNLIKE PRO model to achieve better lighting results.
 * The solar charge time data is based on 77 degree F ambient temperature with the panel pointed directly at the solar radiation. The standard radiation value is 1000W/m².

PRODUCT NUMBER BUILDER

Example: **STLWR02MSTLSTC0203SFGY**

This means the customer wants a Solar Mobile Tower Tempo, SUNLIKE 20W, 3000K CCT, Slip Fitter installation, with a Gray finish.

TOWER	FIXTURE					
	SERIES	WATTAGE	OPTIC TYPE	COLOR TEMPERATURE	MOUNTING OPTIONS	FINISH
STLWR02M=TEMPO Solar Mobile Tower	STLSTC=SUNLIKE STLSTCPRO=SUNLIKE PRO	20=20W 4000 Lumens <small>(only for SUNLIKE)</small> 30=30W 6000 Lumens	T2=TYPE II <small>(only for SUNLIKE 30W SUNLIKE PRO 30W)</small> T3=TYPE III T4=TYPE IV <small>(only for SUNLIKE 30W SUNLIKE PRO 30W)</small>	3=3000K 4=4000K 5=5000K 6=5700K	SF=Slip Fitter	GY=Gray
<div style="display: flex; justify-content: space-around; align-items: center;"> <div style="border: 1px solid black; width: 80px; height: 20px;"></div> - <div style="border: 1px solid black; width: 80px; height: 20px;"></div> - <div style="border: 1px solid black; width: 80px; height: 20px;"></div> - <div style="border: 1px solid black; width: 80px; height: 20px;"></div> - <div style="border: 1px solid black; width: 80px; height: 20px;"></div> - <div style="border: 1px solid black; width: 80px; height: 20px;"></div> </div>						

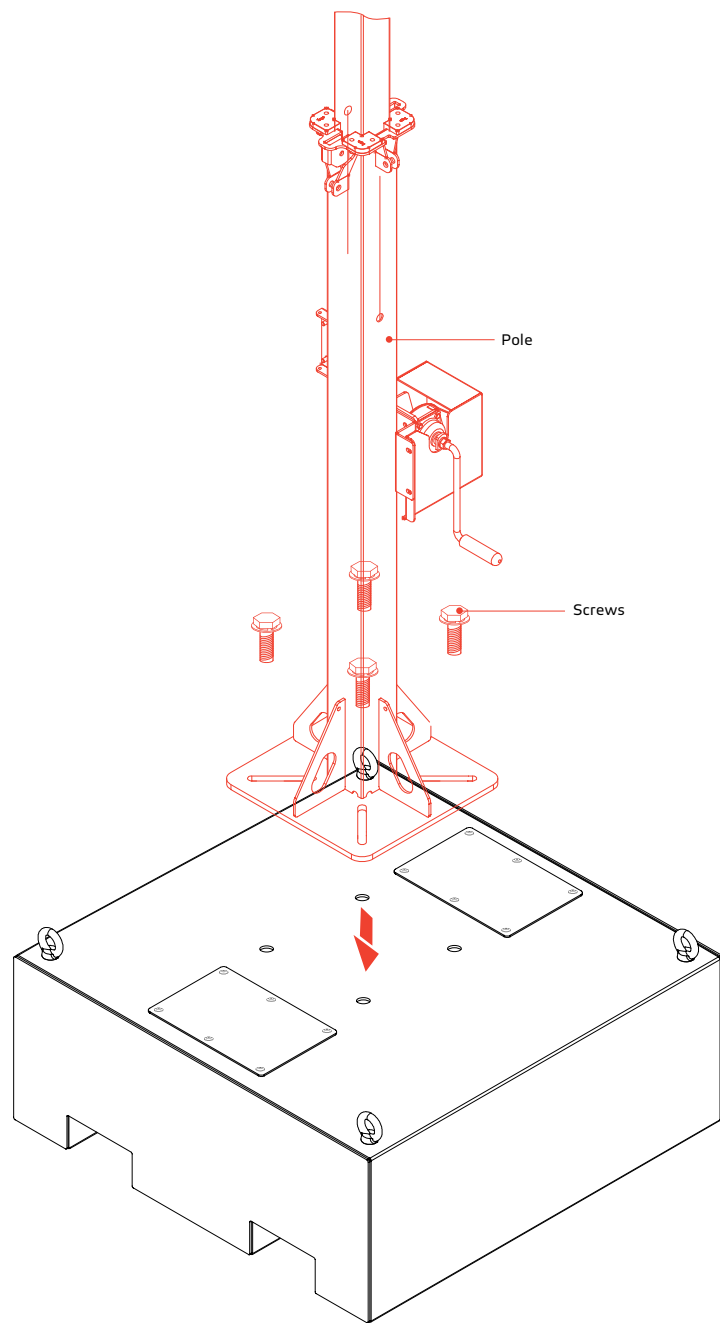
Sample Number: **STLWR02MSTLSTC20T33SFGY**

DO NOT send the sample number directly to our salesperson. Use the information in the chart above to create a model number with the correct series, wattage, temperature, mounting option, and finish for the product that you want.

MOUNTING ACCESSORIES **TEMPO** Mobile Solar Light Tower

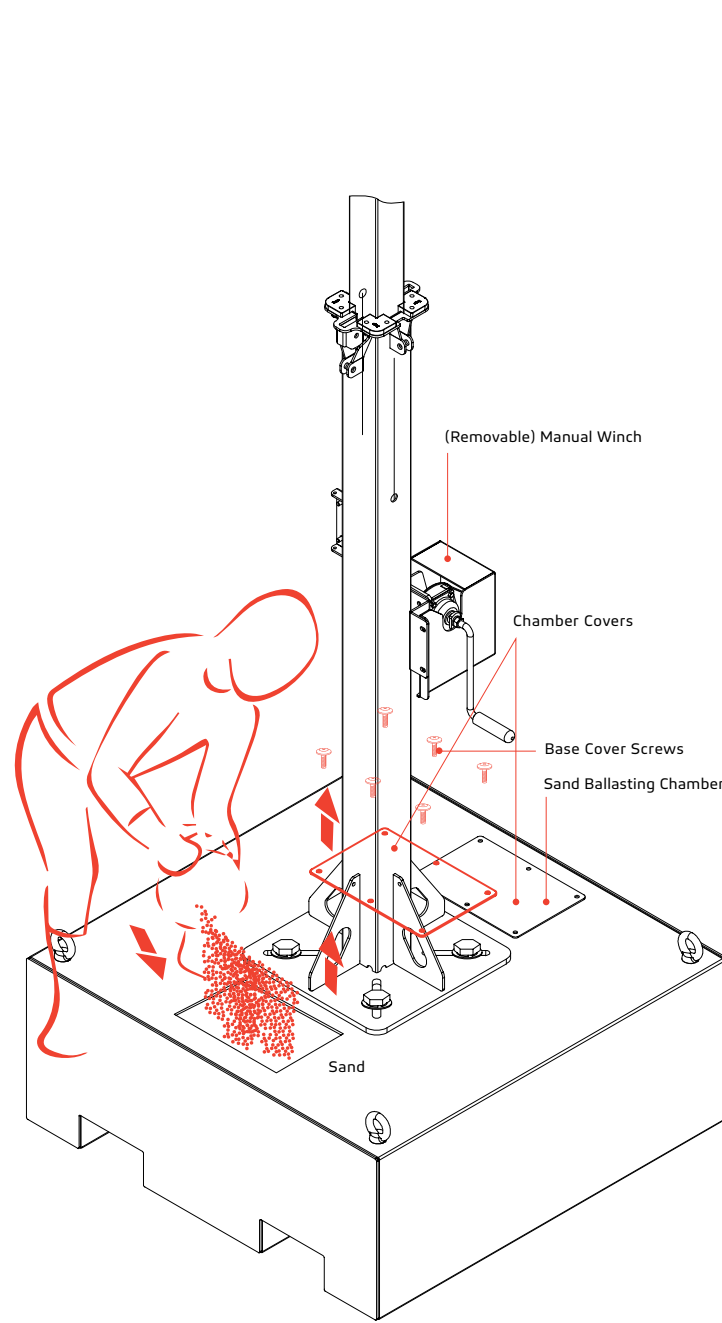


01. Install The Pole



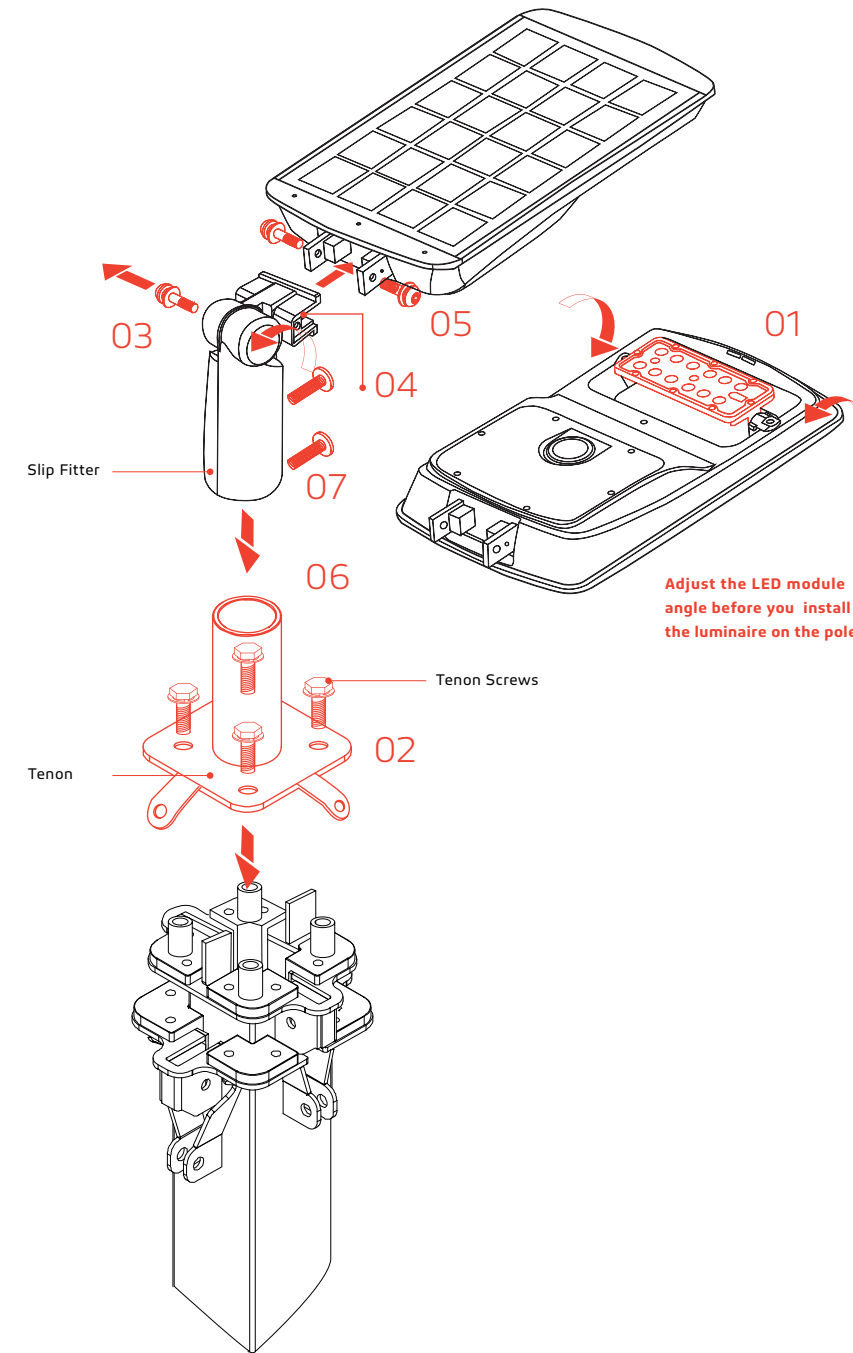
Install the pole on the base with pole screws.

02. Sand Ballasting



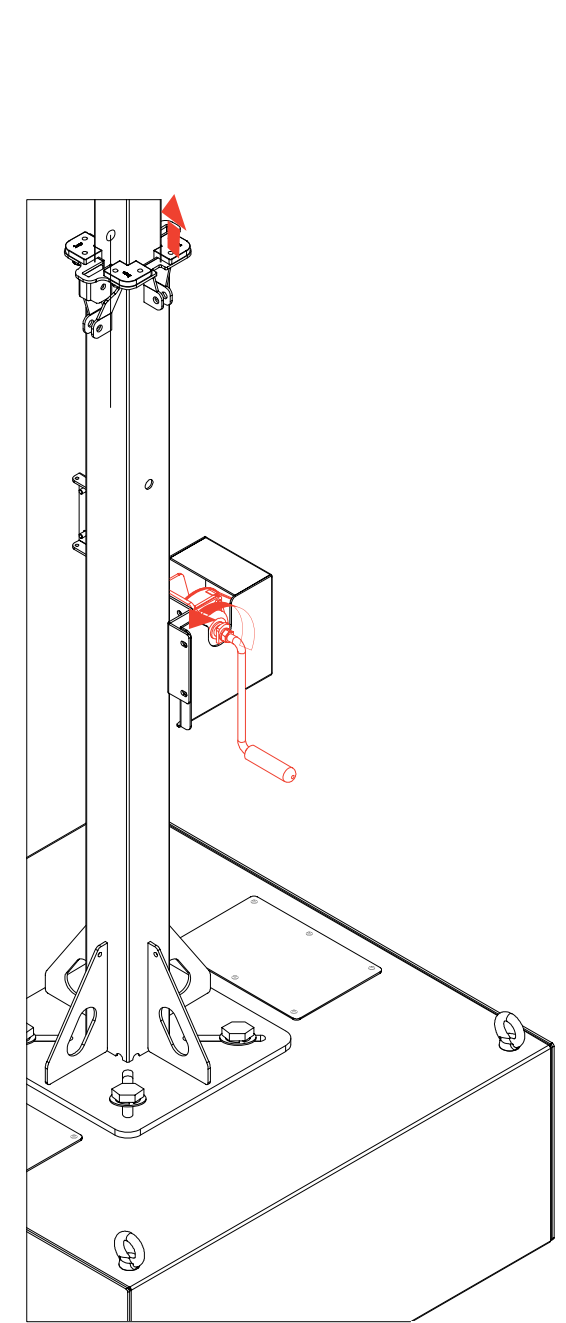
Open the Chamber covers on both sides and put sand in.

03. Install Tenon and Luminaire



Install Tenon and Luminaire on the top of the pole.

04. Adjust The Pole Height



Rotate the handle to adjust the height of the pole.