



SUNLIKE 8W 20W 30W 50W

APPLICATIONS

This economical, easily-installed, off-grid lighting solution is ideal for areas such as pathways, parking lots, landscaping, parks, schools, trails, or any remote locations that have no access to conventional power.

DESCRIPTION

SUNLIKE reduces total cost of ownership, and delivers big performance. This fully-integrated LED solar streetlight is designed for both residential and commercial areas, in four different lumen outputs: 1600lm, 4000lm, 6000lm, and 9,000lm. SUNLIKE also provides superior quality light over a greater area. SUNLIKE features an integrated solar array, battery, and LED fixture with simple mounting, for fast and easy installation. SUNLIKE eliminates trenching, cabling, and electricity costs.

ORDERING INFORMATION

SERIES	WATTAGE	OPTIC TYPE	COLOR TEMPERATURE	MOUNTING OPTIONS	FINISH
STLSTC=SUNLIKE	08=8W 1600 LUMENS	T2=TYPE II <i>(only for SUNLIKE 30W)</i>	3=3000K	WM=WALL MOUNT	GY=GRAY
	20=20W 4000 LUMENS	T3=TYPE III	4=4000K	TRR=TRUNNION ROUND	BR=BRONZE
	30=30W 6000 LUMENS	T4=TYPE IV <i>(only for SUNLIKE 30W)</i>	5=5000K	TRS=TRUNNION SQUARE	
	50=50W 9000 LUMENS		6=5700K	SF=SLIP FITTER SA=STRAIGHT ARM MS=MOUNTING SLEEVE <i>(only for SUNLIKE 50W)</i>	

- - - - -

SPECIFICATION FEATURES



50+ Hours Max Autonomy

- UP to 691 WH battery capacity
- Full self-charging time less than 11 hrs
- Remote control included with one-button mode settings



Greater Energy Production

- Up to 115W Mono Crystalline Solar Panel
- Adjustable angle for the fixture head allows maximum solar collection and self-cleaning of the solar panel surface



High Brightness, Smart Power Consumption

- >200lm/W—the highest efficiency in the industry
- Microwave motion sensor and one-key automatic dimming
- Automatically switches to 40% energy saving mode during low battery capacity



Longer Life

- Grade A LifePO₄ Battery Pack, 2000+ full charging cycles
- Lumileds 5050 LED chips



Complete Universality

- 6 different mounting options
- Designed for round pole, square pole and wall pack applications
- Acts as a solar flood light



Low Maintenance Design

- Field-replaceable battery functionality via quick connections
- Die cast A380 aluminum fixture housing is rust free
- 10+ year warranty options for city utility projects

CATALOG	PROJECT	PREPARED BY	DATE	COMMENTS

CERTIFICATION DATA



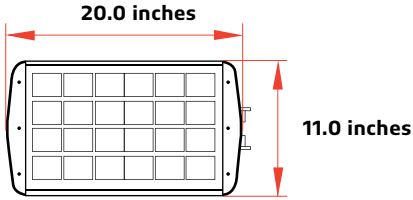


SUNLIKE 8W 20W 30W 50W

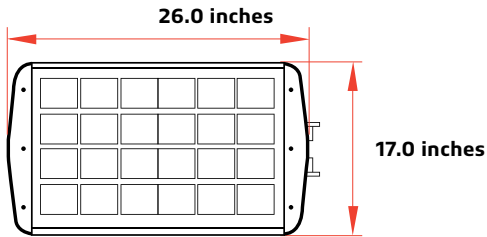
CATALOG		COMMENTS
PROJECT		
PREPARED BY		
DATE		

PRODUCT SIZE

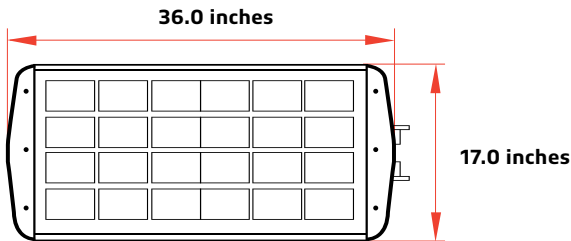
SUNLIKE 8W



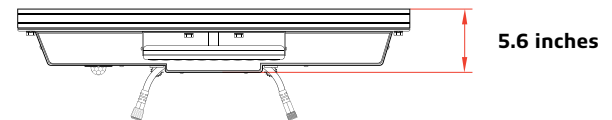
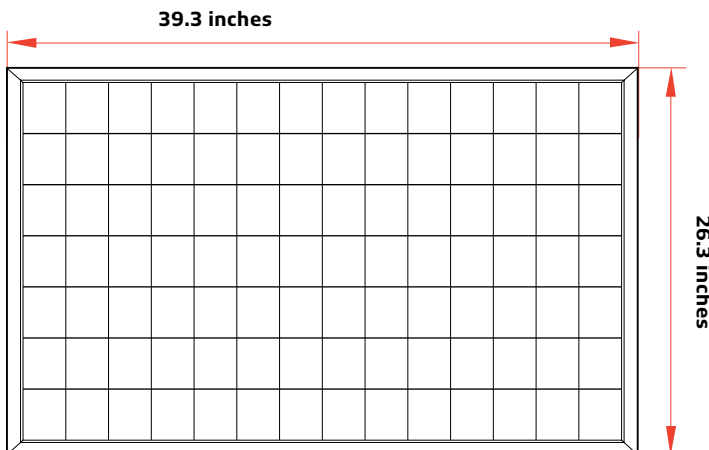
SUNLIKE 20W



SUNLIKE 30W



SUNLIKE 50W





SUNLIKE 8W 20W 30W 50W

CATALOG		COMMENTS
PROJECT		
PREPARED BY		
DATE		

SPECIFICATIONS

Specification	SUNLIKE 8W	SUNLIKE 20W	SUNLIKE 30W	SUNLIKE 50W
LED Nominal Power	8W	20W	30W	50W
Solar Panel	18V 17W	18V 36W	18V 52W	18V 115W
LiFePO ₄ Battery	115.2WH 12.8V 9AH	256WH 12.8V 20AH	384WH 12.8V 30AH	691WH 12.8V 54AH
Weight	11.7 lbs	21.4 lbs	29.8 lbs	58.7 lbs
Lumen Output@5000K	1,600	4,000	6,000	9,000
CRI	> 70	> 70	> 70	> 70
LED Chip	Lumileds 5050 (215lm-CR>70)	Lumileds 5050 (215lm-CR>70)	Lumileds 5050 (215lm-CR>70)	Lumileds 5050 (210lm-CR>70)
EPA@45°	1.7	2.7	3.7	7.3
Waterproof Rate	IP65	IP65	IP65	IP65
Casting	Aluminum	Aluminum	Aluminum	Aluminum
Efficiency@5000K	200 lm/W	200 lm/W	200 lm/W	180 lm/W
* Charging Time	7hrs	7hrs	7hrs	11hrs
Run Time(@Full Power)	10hrs	10hrs	10hrs	13hrs
Operation Mode	Remote control and One-key Setting	Remote control and One-key Setting	Remote control and One-key Setting	Remote control and One-key Setting
Installation Height	6 to 13 ft	9 to 16 ft	9 to 20 ft	9 to 20 ft
* Operating Temperature	-20°C/-4°F to 122°F	-20°C/-4°F to 122°F	-20°C/-4°F to 122°F	-20°C/-4°F to 122°F
* Charging Temperature	0°C/32°F to 149°F	0°C/32°F to 149°F	0°C/32°F to 149°F	0°C/32°F to 149°F
Maximum Autonomy				
Motion Sensor Mode	40%–100% 35hrs 20%–80% 55hrs	40%–100% 35hrs 20%–80% 55hrs	40%–100% 35hrs 20%–80% 55hrs	40%–100% 32hrs 20%–80% 55hrs
Time Control Mode	Night Owl 28hrs Early Bird 25hrs	Night Owl 28hrs Early Bird 25hrs	Night Owl 28hrs Early Bird 25hrs	Night Owl 28hrs Early Bird 25hrs
Constant Mode	100% 12hrs 70% 17hrs 40% 30hrs	100% 11hrs 70% 15.5hrs 40% 27hrs	100% 11hrs 70% 15.5hrs 40% 27hrs	100% 13hrs 70% 19hrs 40% 34hrs

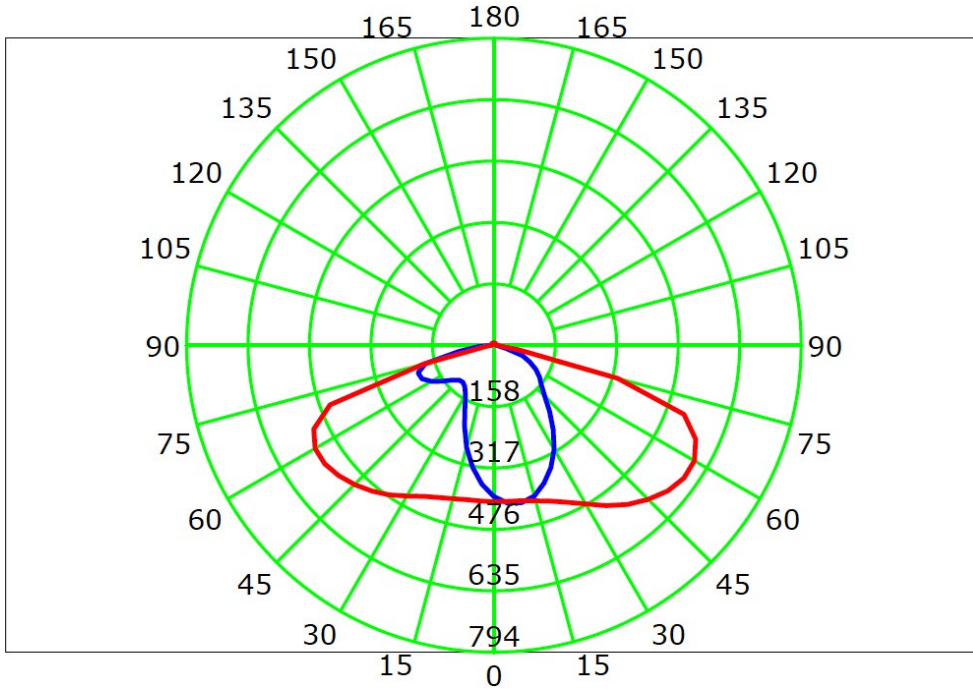
* The temperature can impact the battery's charging and normal operation. If your place's temperature is under 32°F, we advice you to use the SUNLIKE PRO version to achieve better lighting results.

* The solar charge time data is base on 77 degree F ambient temperature with the panel pointed directly at the solar radiation. The standard radiation value is 1000W/m².

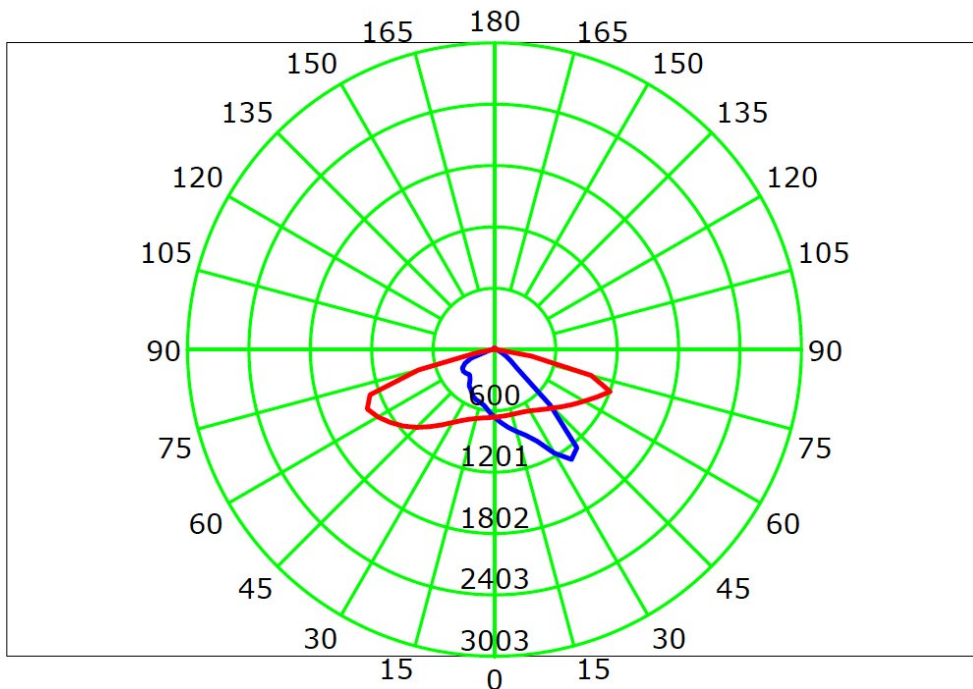
SUNLIKE 8W 20W 30W 50W

CATALOG		COMMENTS
PROJECT		
PREPARED BY		
DATE		

IES / BEAM

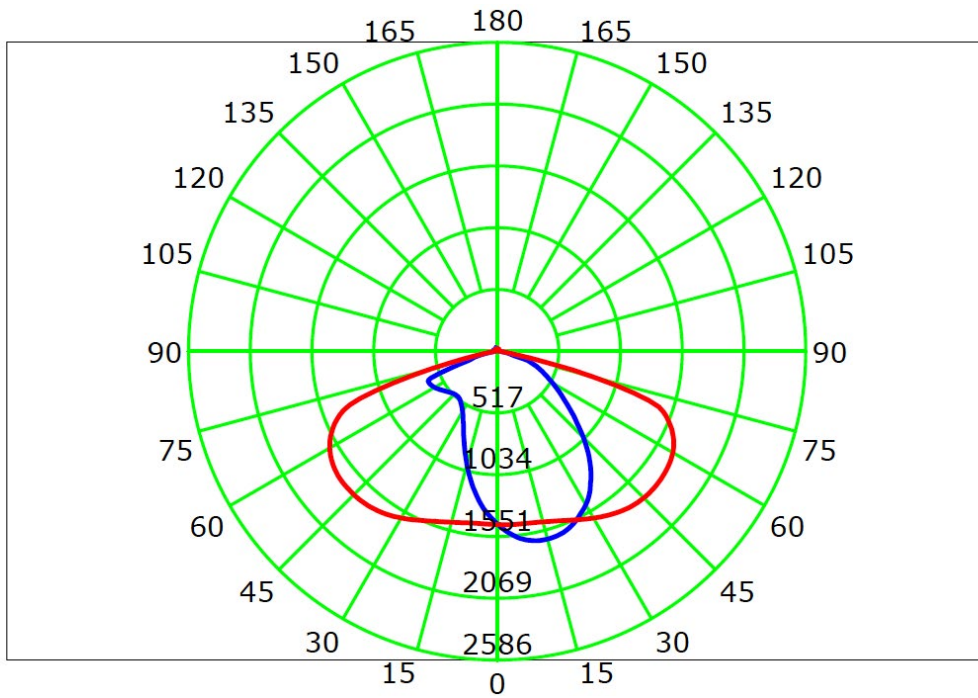
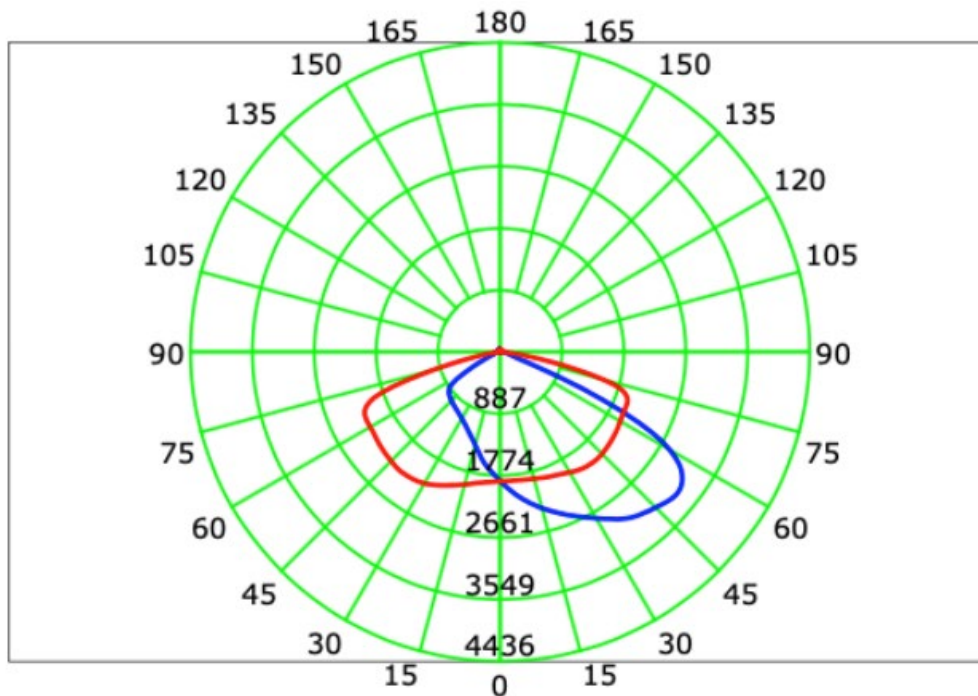


SUNLIKE 8W Type III

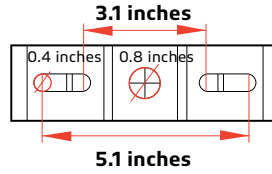
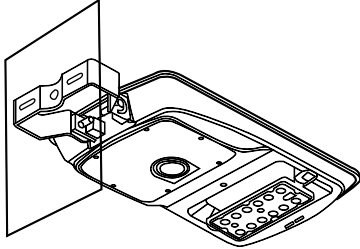


SUNLIKE 20W Type III

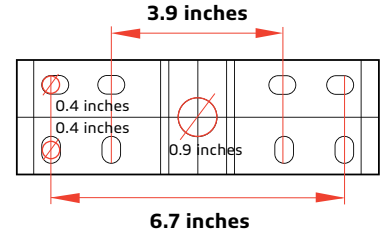
CATALOG		COMMENTS
PROJECT		
PREPARED BY		
DATE		


SUNLIKE 30W Type III

SUNLIKE 50W Type III

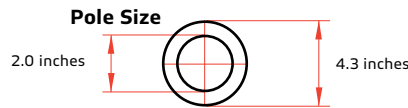
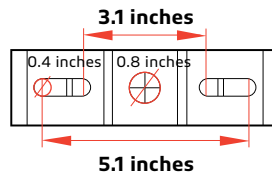
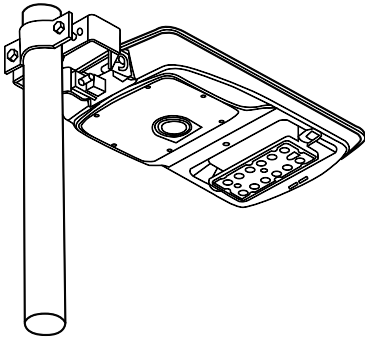
CATALOG		COMMENTS
PROJECT		
PREPARED BY		
DATE		

INSTALLATION ACCESSORIES—8W 20W 30W
A. TRUNNION—Wall Mount


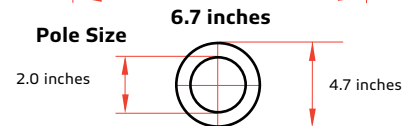
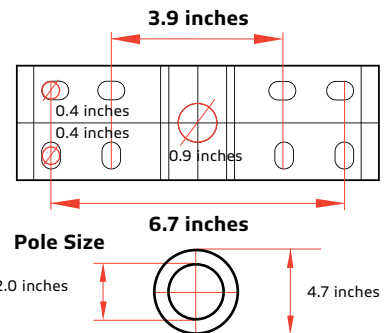
A-a. STLSTC-WM-8W (for SUNLIKE 8W)



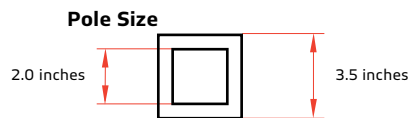
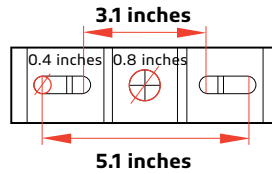
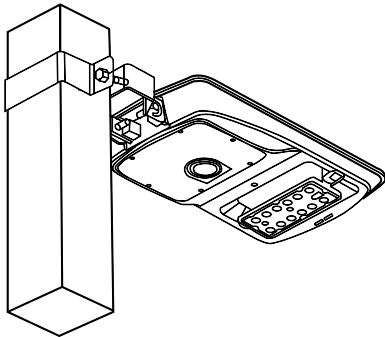
A-b. STLSTC-WM-20W/30W (for SUNLIKE 20W/30W)

B. TRUNNION—Round


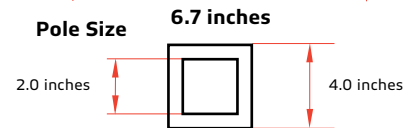
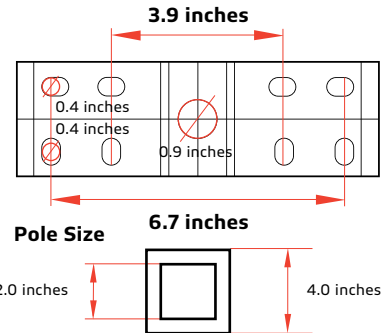
B-a. STLSTC-TRR-8W (for SUNLIKE 8W) works with 2.0 inches to 4.3 inches poles.



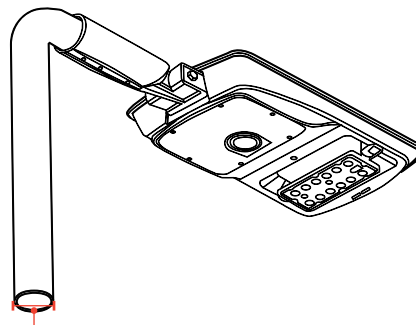
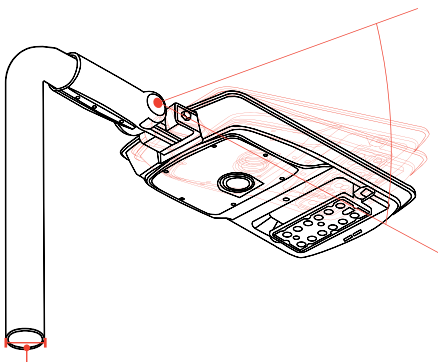
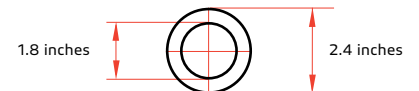
B-b. STLSTC-TRR-20W/30W (for SUNLIKE 20W/30W) works with 2.0 inches to 4.7 inches poles.

C. TRUNNION—Square


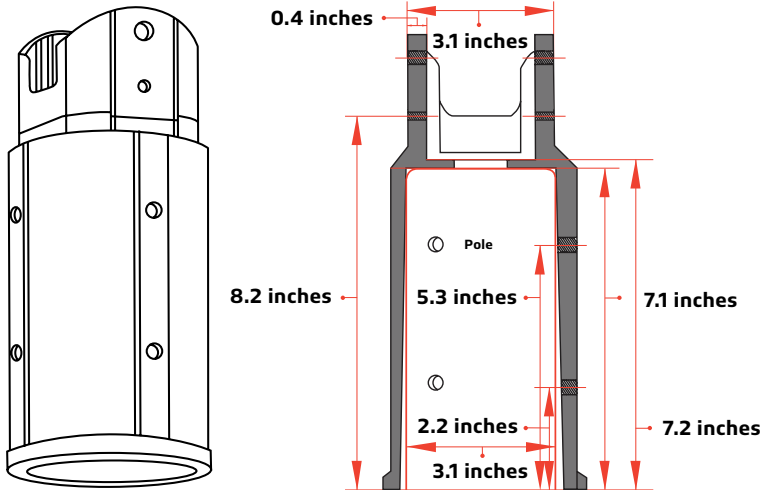
C-a. STLSTC-TRS-8W (for SUNLIKE 8W) works with 2.0 inches to 3.5 inches poles.



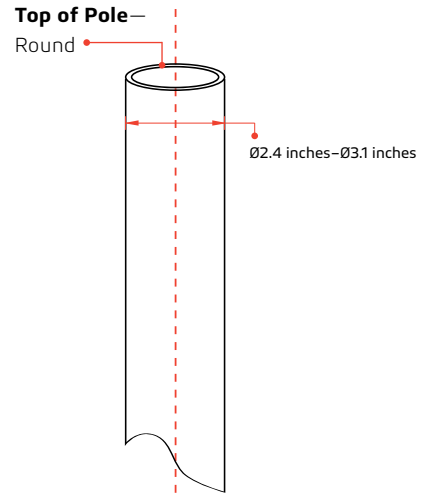
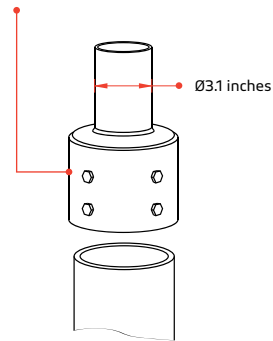
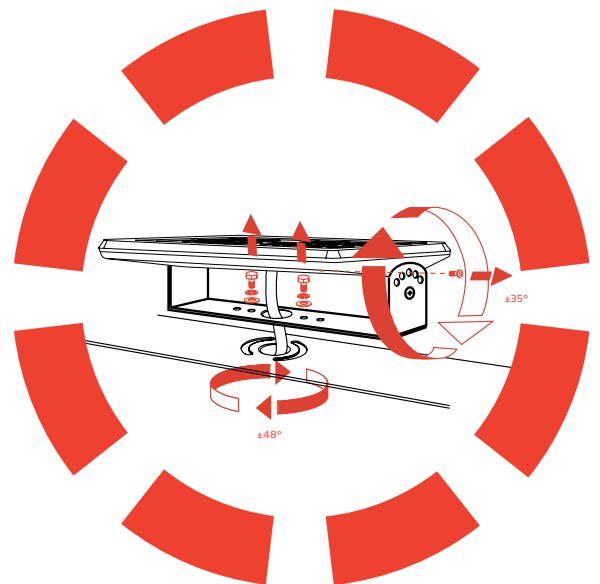
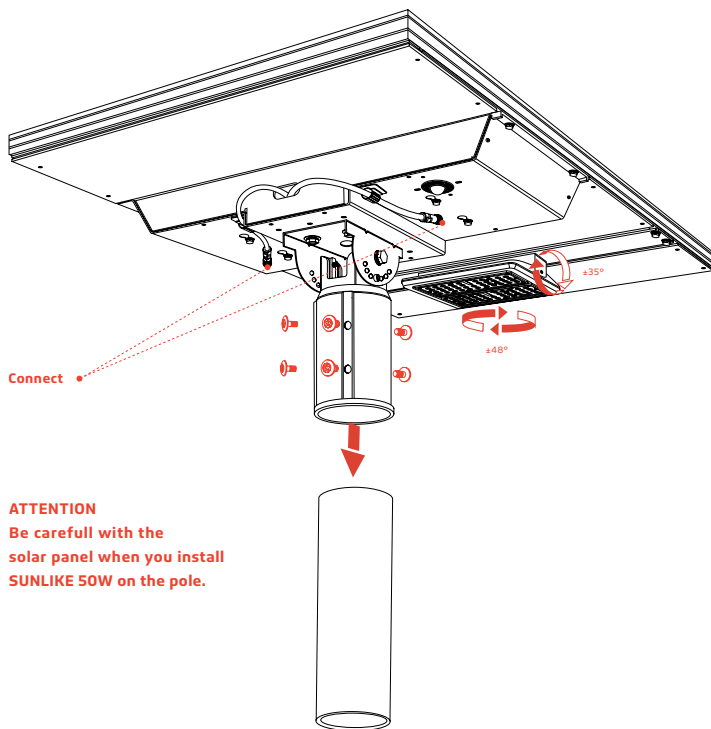
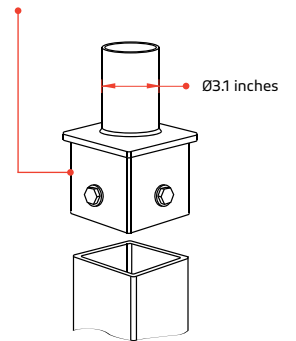
C-b. STLSTC-TRS-20W/30W (for SUNLIKE 20W/30W) works with 2.0 inches to 4.0 inches poles.

SLIP FITTER—Rotative And Straight Arm

Pole Size For Slip Fitter And Straight Arm


CATALOG		COMMENTS
PROJECT		
PREPARED BY		
DATE		

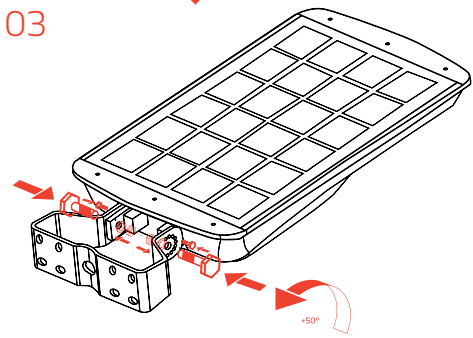
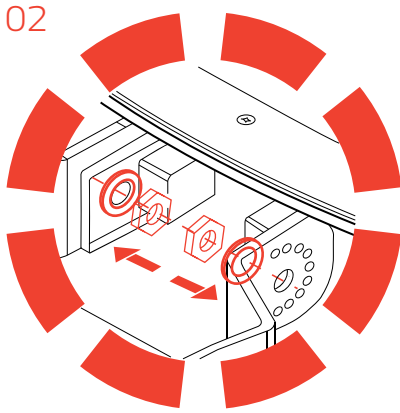
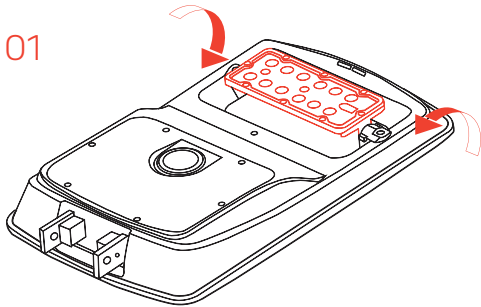
INSTALLATION ACCESSORIES—50W
MOUNTING SLEEVE

TENON ADAPTER

If your round pole size is over 3.1 inches, or you need a square pole, please contact the pole manufacturer for the tenon adapter.

POLE ASSEMBLY

Tenon Adapter—Round

Tenon Adapter—Square


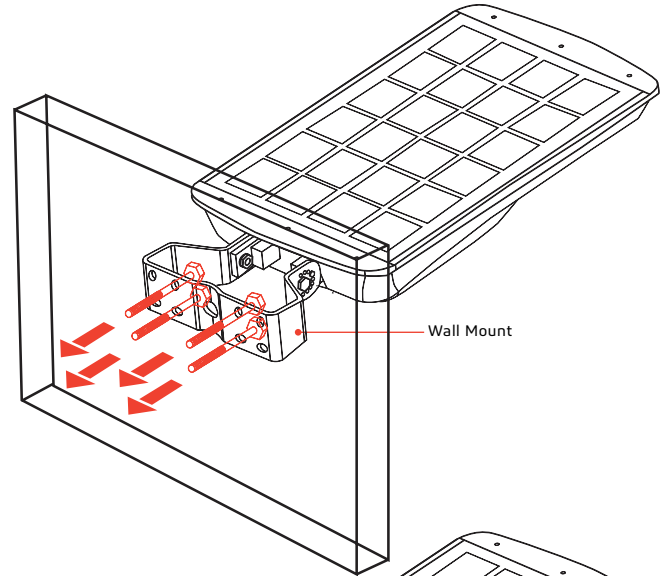
8W 20W 30W

Trunnion Mount

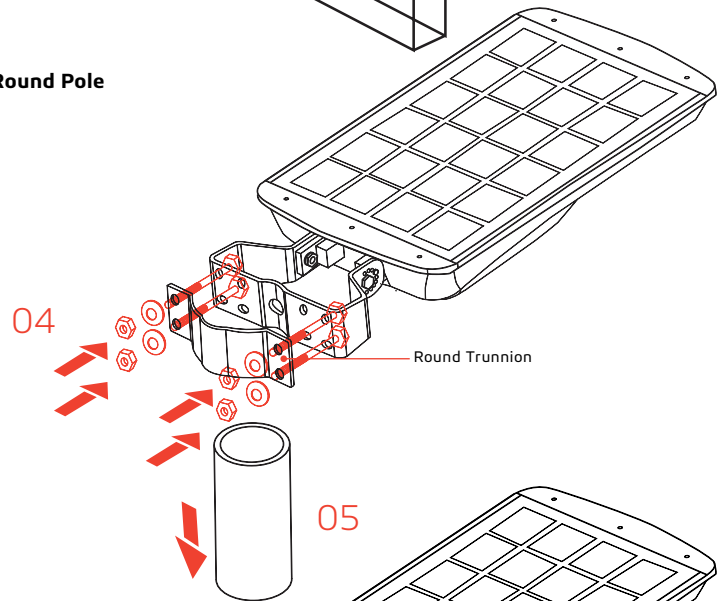


CATALOG		COMMENTS
PROJECT		
PREPARED BY		
DATE		

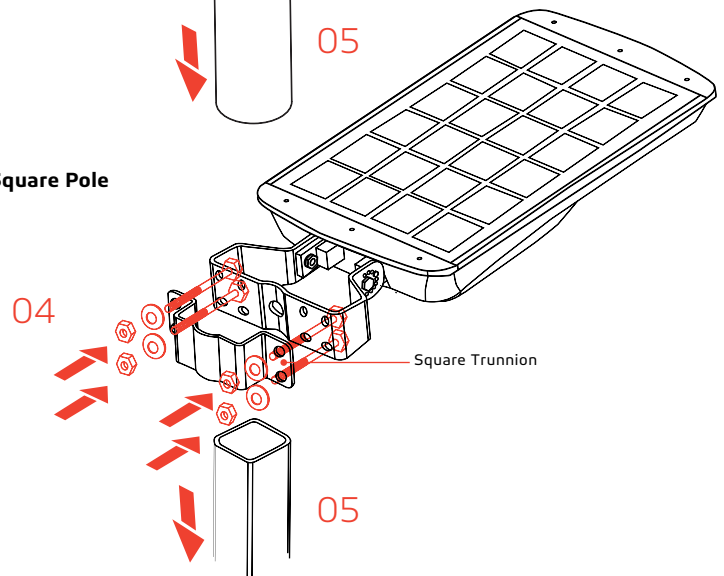
A. On Wall



B. On Round Pole

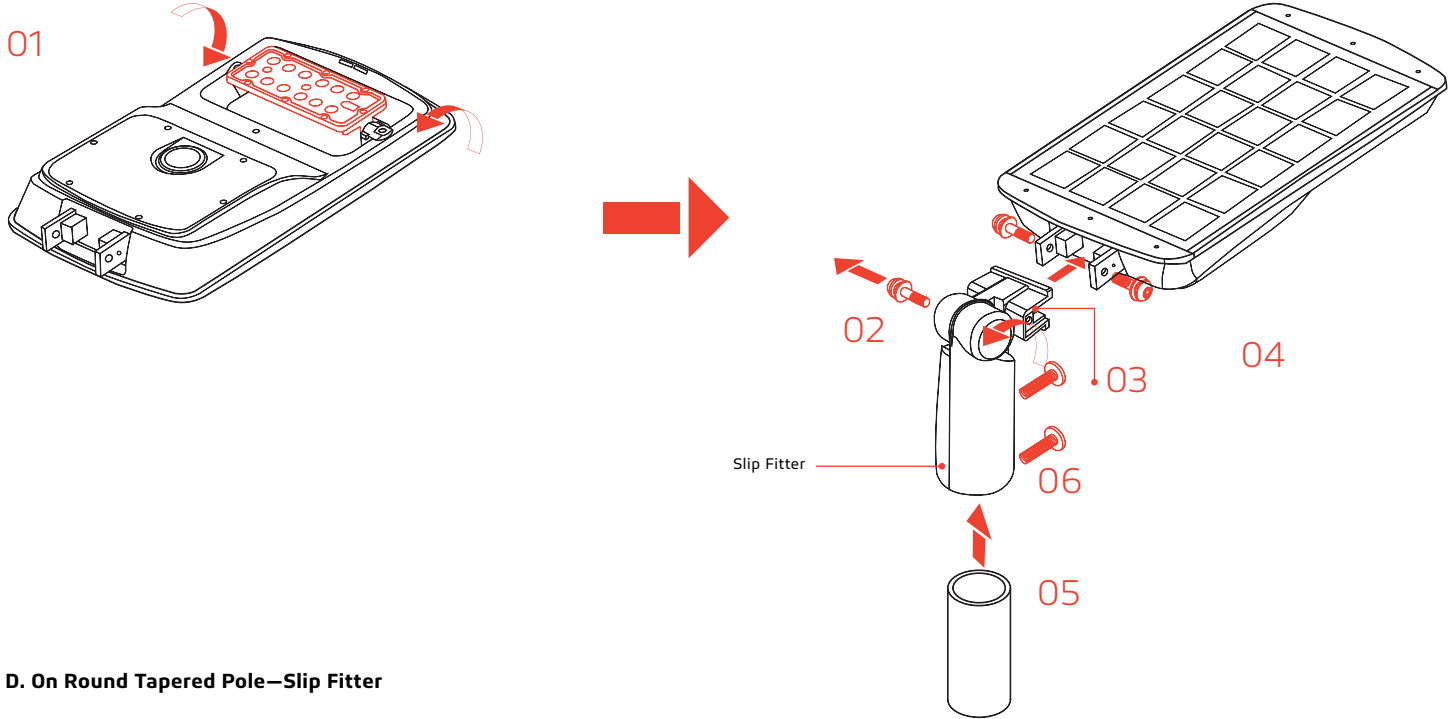
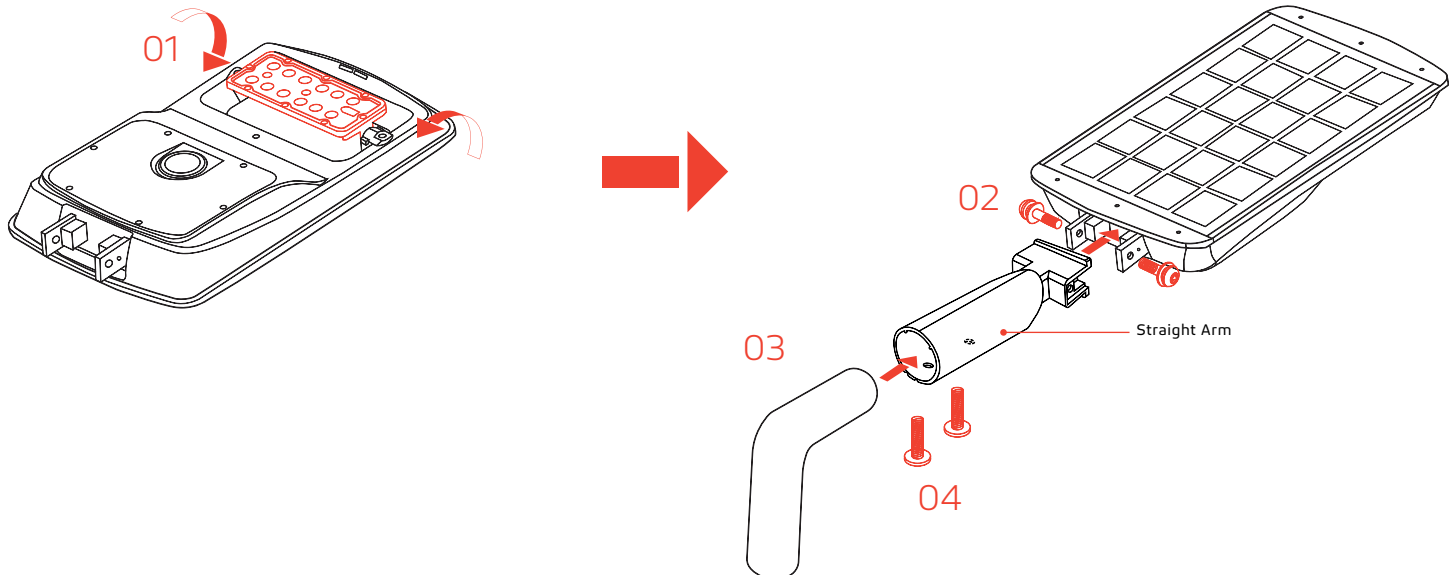


C. On Square Pole



8W 20W 30W
Slip Fitter and Straight Arm

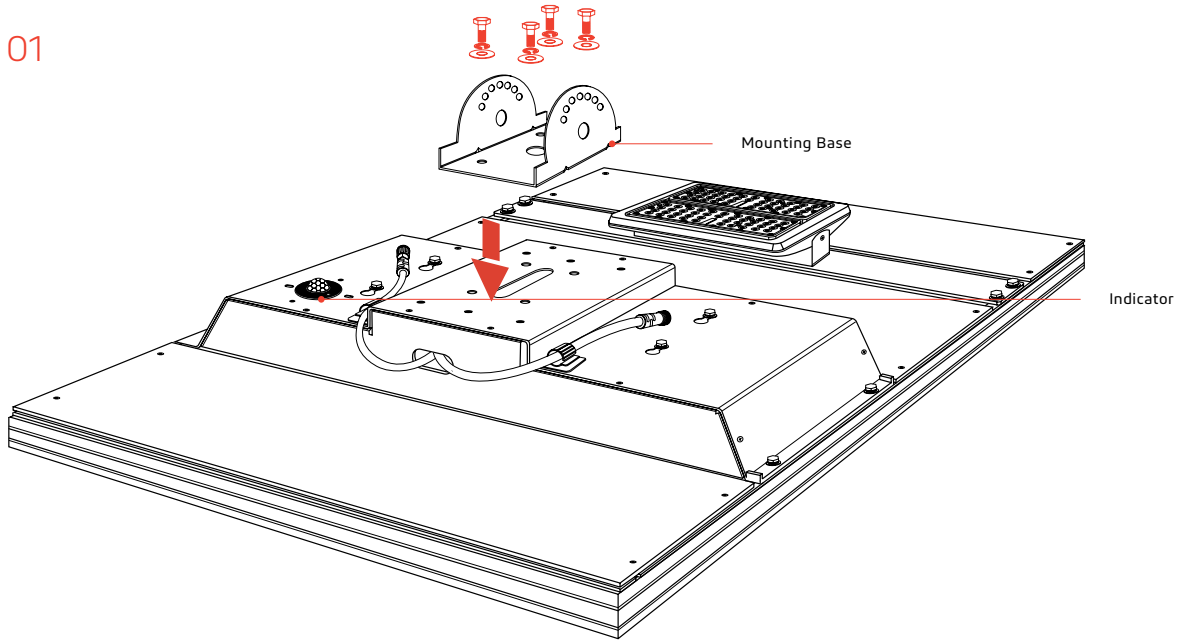
CATALOG		COMMENTS
PROJECT		
PREPARED BY		
DATE		


E. On Round Tapered Pole—Straight Arm


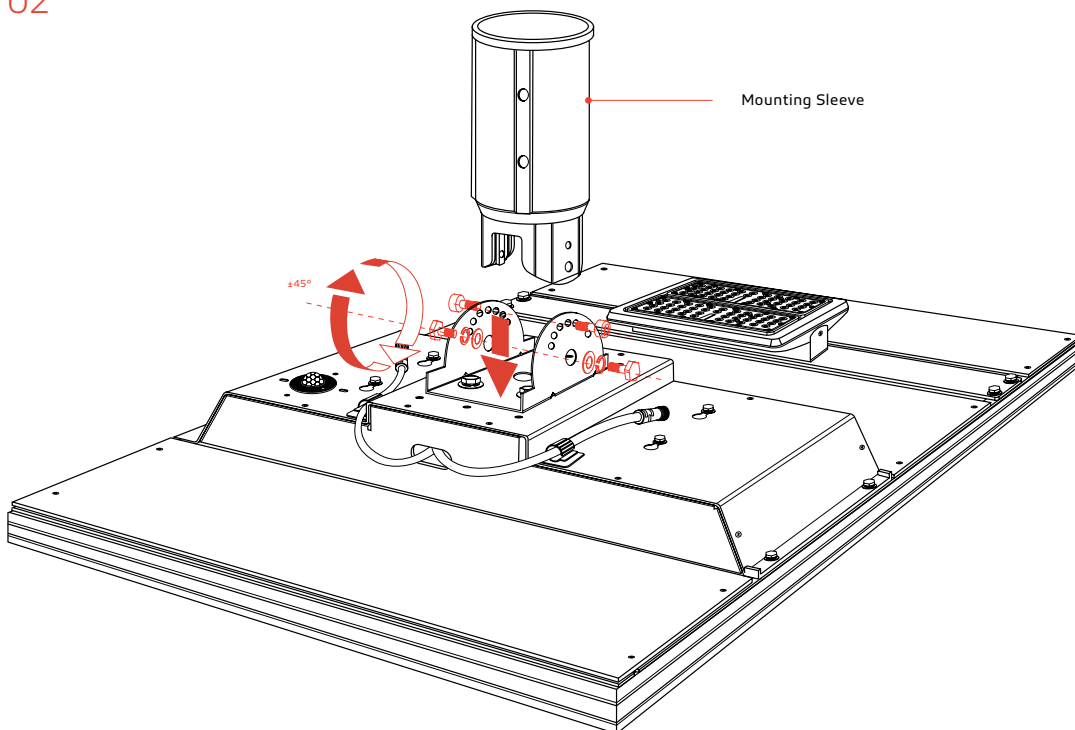
CATALOG		COMMENTS
PROJECT		
PREPARED BY		
DATE		

50W

01



02

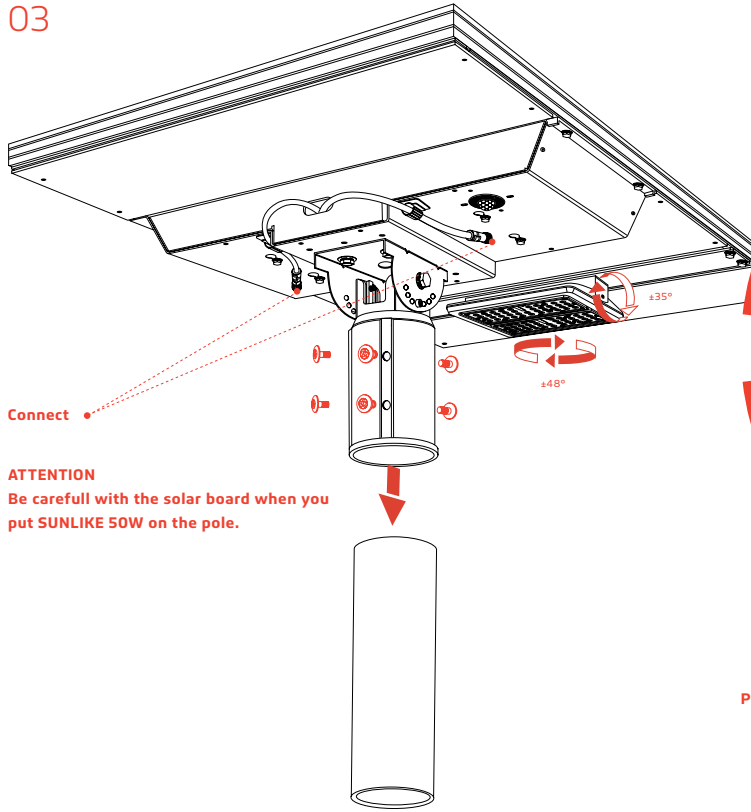


010

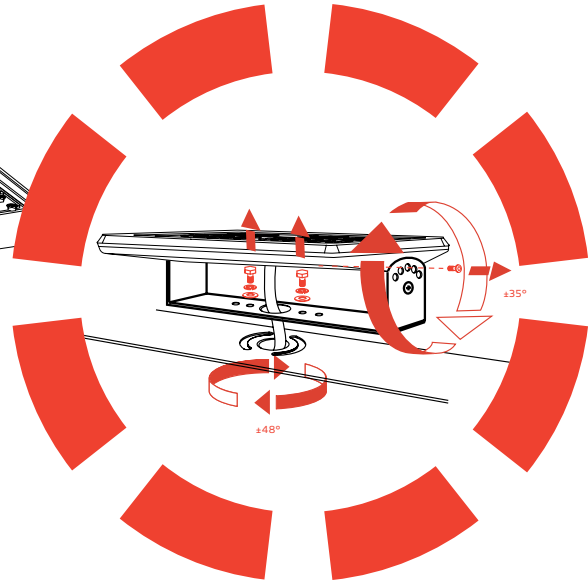
CATALOG		COMMENTS
PROJECT		
PREPARED BY		
DATE		

50W

03



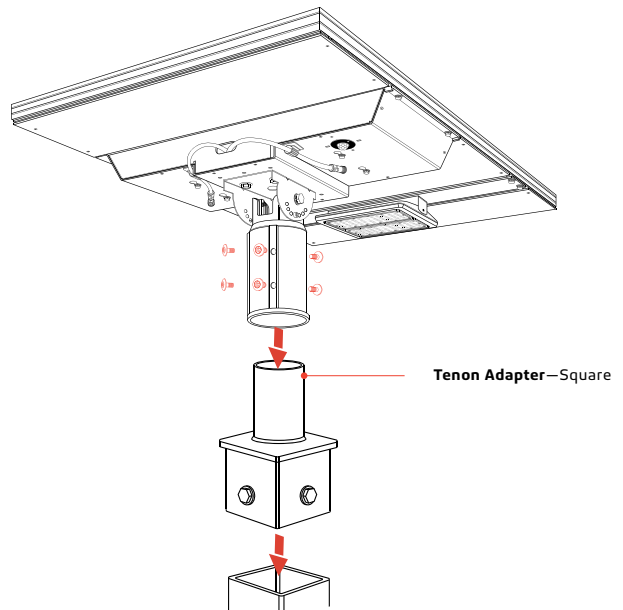
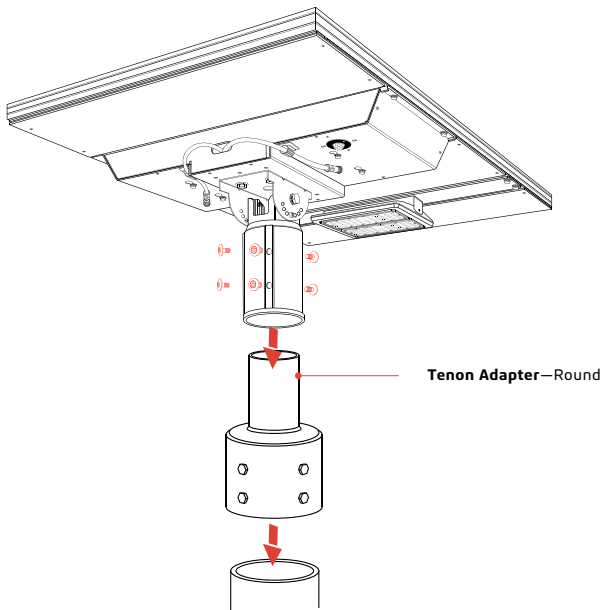
ATTENTION
Be carefull with the solar board when you put SUNLIKE 50W on the pole.

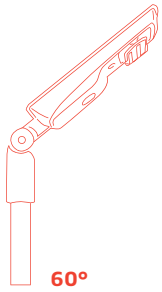


Please loose the screws to adjust the angle of the light.

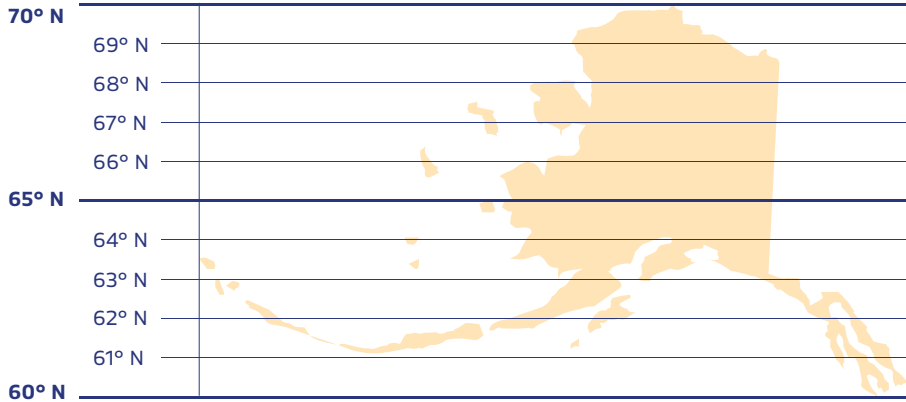
TENON ADAPTER

If your round pole size is over 3.1 inches, or you use square pole, please connect with pole manufacturer for the tenon adapter.

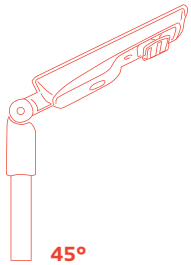




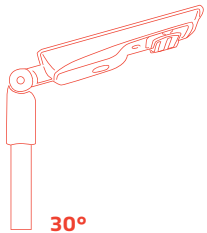
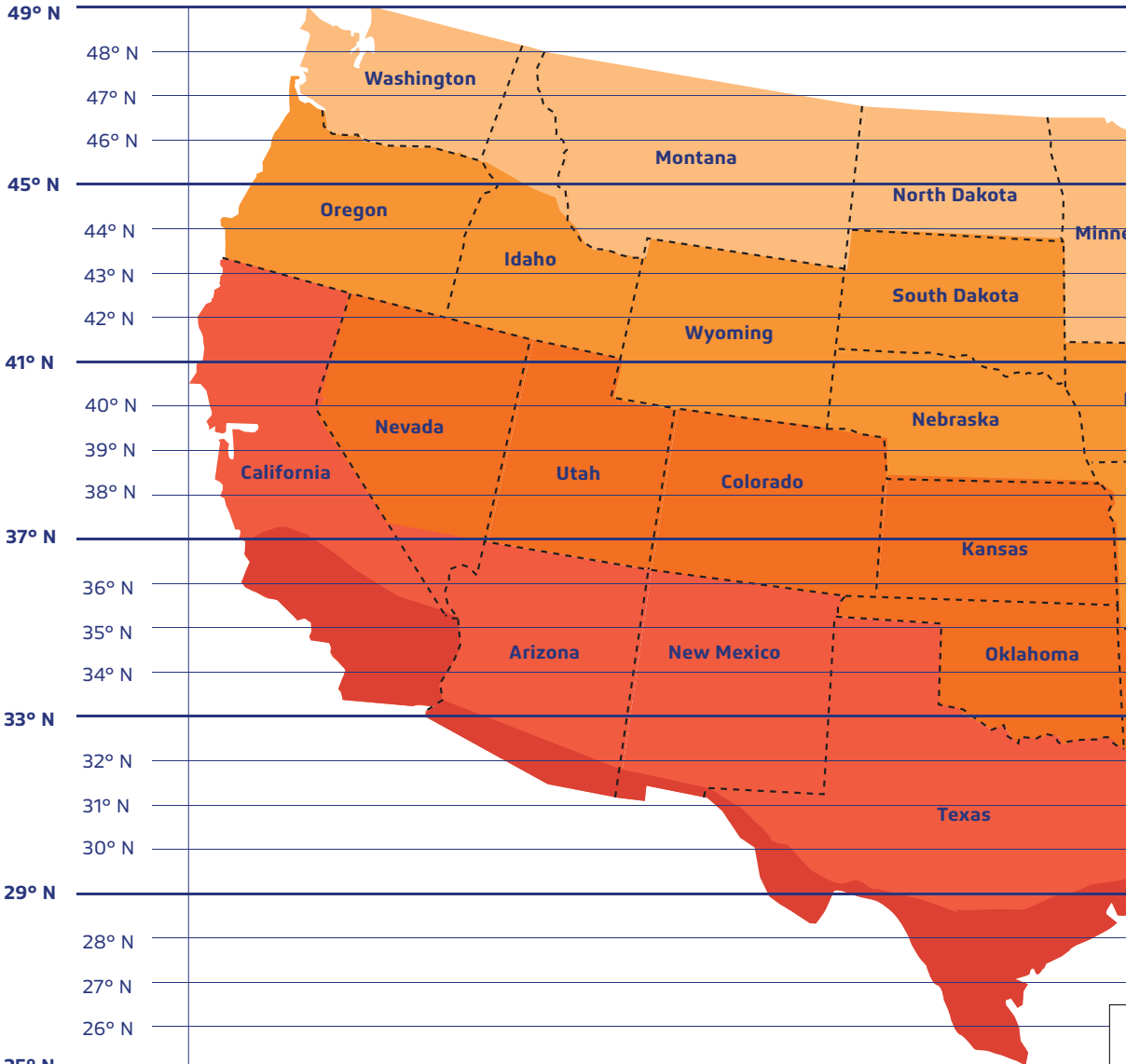
60°



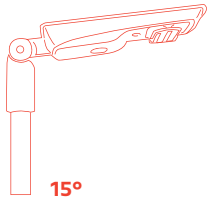
Alaska



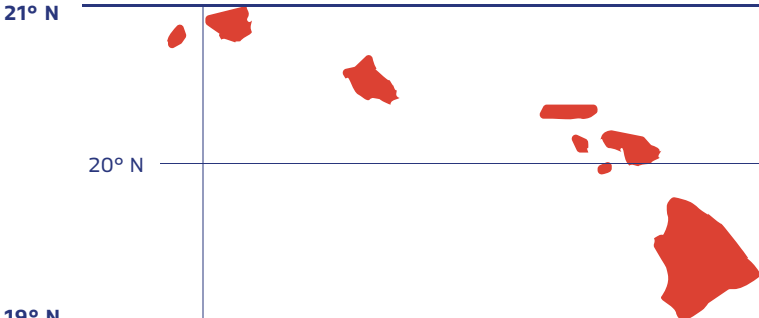
45°



30°



15°



Hawaii

SUNLIKE 8W 20W 30W 50W

CATALOG		COMMENTS
PROJECT		
PREPARED BY		
DATE		

The solar charge in a battery pack won't last forever. The off-grid system relies on stored solar energy for autonomy. Angling your solar panels properly can boost the power intake of your solar lighting system. You want to angle your solar panels at a tilt based on the area's latitude.

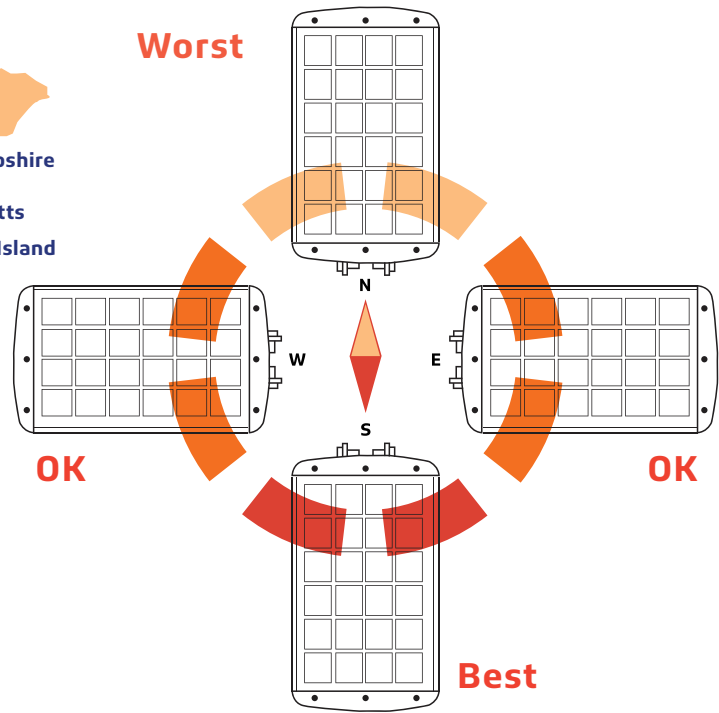
Tip

You can increase the tilt 15° in the winter or decrease 15° in the summer. In this way you can get the maximum sunlight to recharge the battery

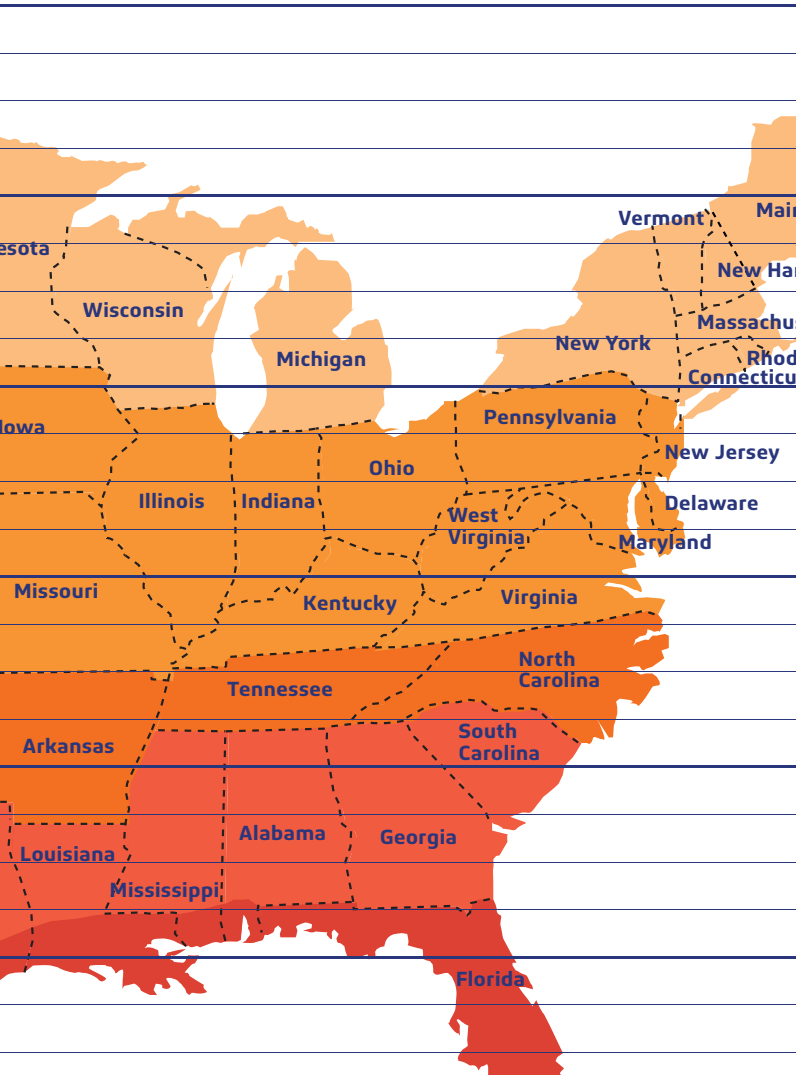
Key



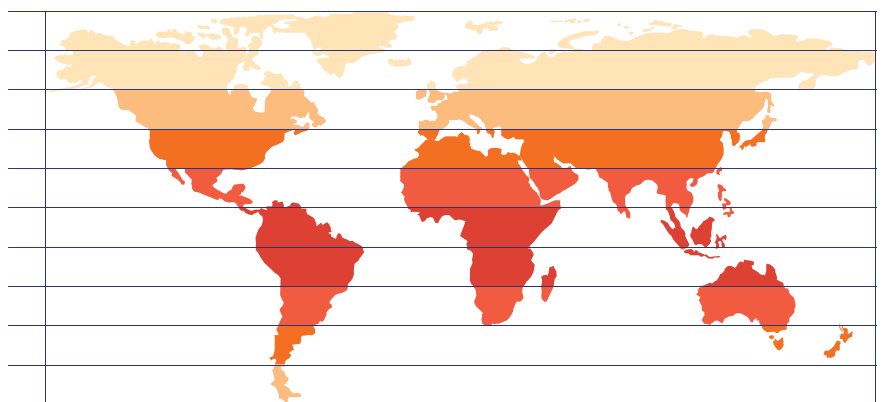
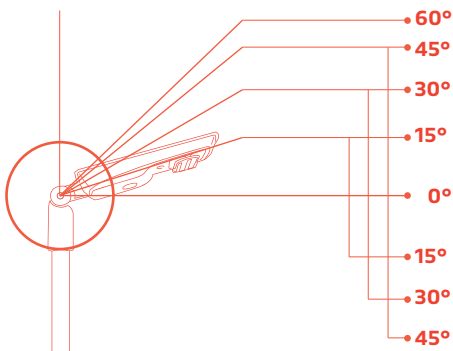
Best Facing Direction of Solar Panel



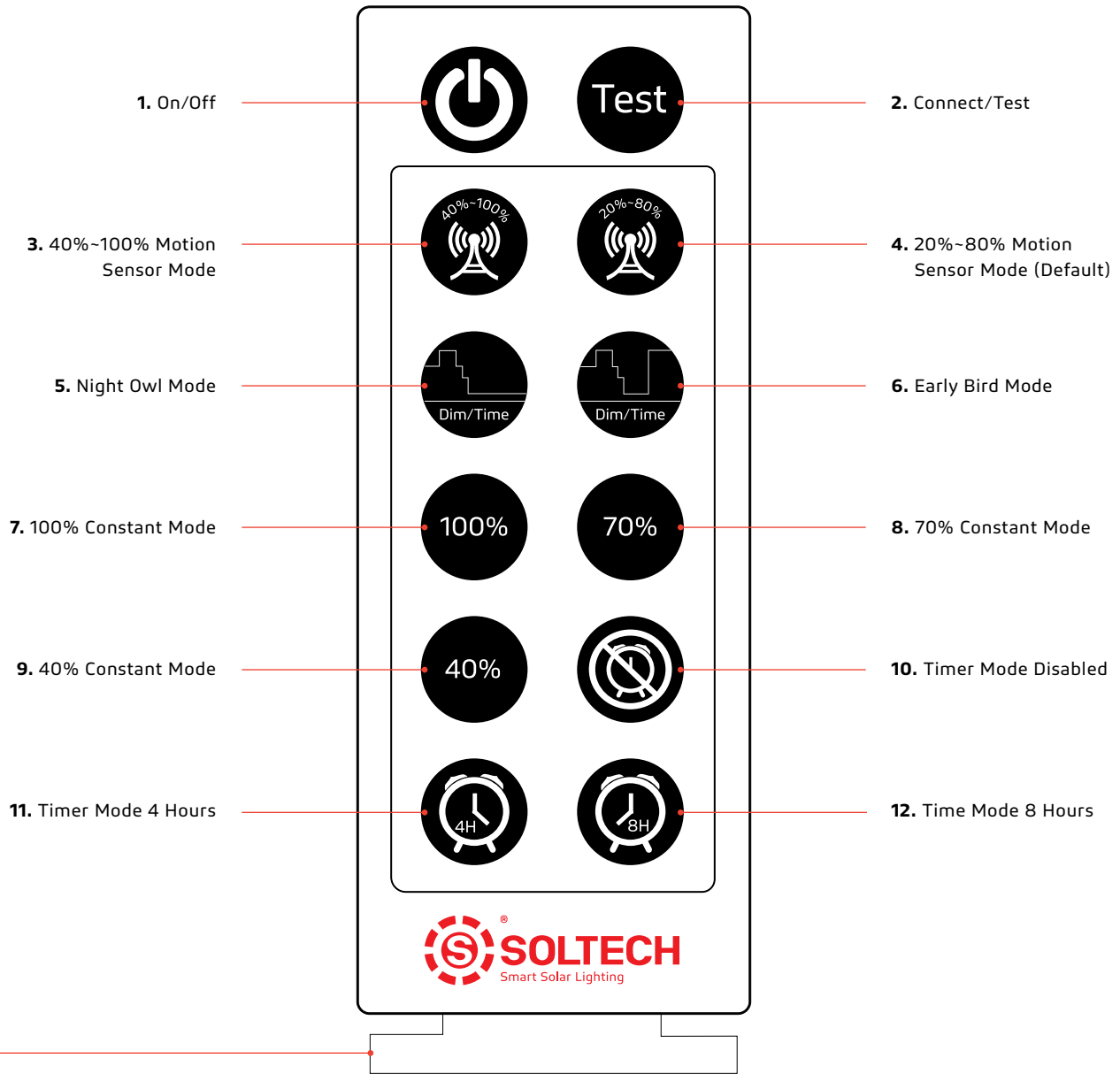
The area will dictate the installation of the fixtures and will sometimes prevent the lights from facing south. But that's okay! Panels facing West & East won't get as much light as Southern facing panels, but will still collect a good amount of sunlight. A North facing panel also works, but it will take longer to charge than any other direction. This would mean that the solar charge will be less optimal if installations are facing North.



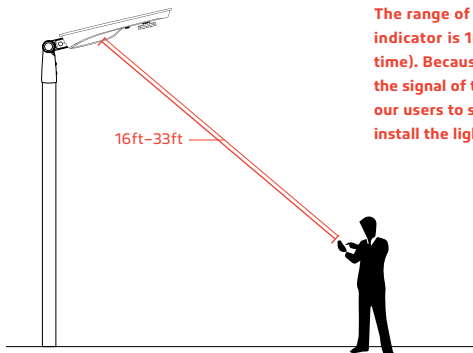
World Wide Panel Angles



CATALOG		COMMENTS
PROJECT		
PREPARED BY		
DATE		

REMOTE CONTROLS


When using the remote for the first time, please remove the plastic piece at the bottom to make the remote turn on.



The range of the remote control to the indicator is 16ft (Day time) to 33ft (Night time). Because the sunlight will impact the signal of the remote control, we suggest our users to setup the mode before they install the light.

1. On/Off

When off is selected, the light will stop working. The solar panel will not charge the battery and the battery will not supply electricity to the light.

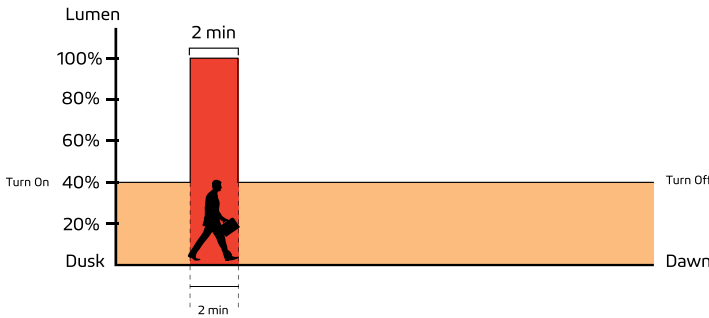
2. Connect/Test

Remote control device can be connected with any lighting fixture, one at a time. To connect, press the button once. It also functions as a test button. To test, press the "Test" button once, the red light will indicate the fixture is charging, green light indicates that the fixture is operating. Testing lasts for 10 seconds, and then it goes back to the mode previously in use.

REMOTE CONTROLS

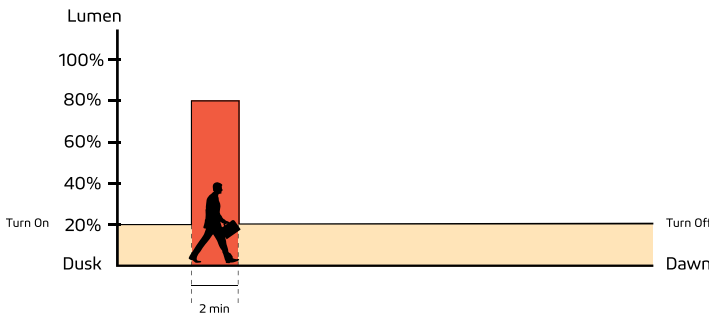
3. 40%-100% Motion Sensor Mode

Constant 40% brightness (turns on at dusk, turns off at dawn); 100% brightness turns on for 2 minutes when motion is detected.



4. 20%-80% Motion Sensor Mode (Default)

Constant 20% brightness (turns on at dusk, turns off at dawn); 80% brightness turns on for 2 minutes when motion is detected.



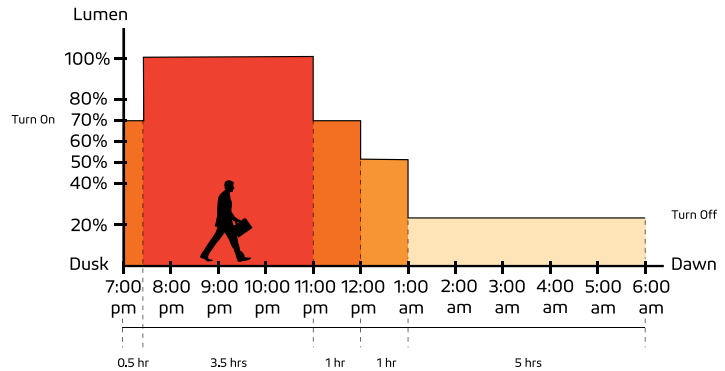
(IAP) Intelligent Adaptive Program Battery Control Technology

In order to extend the off-grid autonomy of the SUNLIKE under shady trees, heavy rain, and thick clouds, our controllers now integrate an adaptive smart control feature to actively track battery capacity and adjust light output accordingly. Before integrating this feature, selecting a light output percentage on the remote would yield an accurate percentage of max LED brightness. Now with (IAP), the controller actively monitors the battery and regulates the electrical current to the LEDs. The controller makes light output of the selected percentage on the remote relative to battery capacity rather than max LED output. This smart-control feature can increase our off-grid performance by up to 40%.

CATALOG		COMMENTS
PROJECT		
PREPARED BY		
DATE		

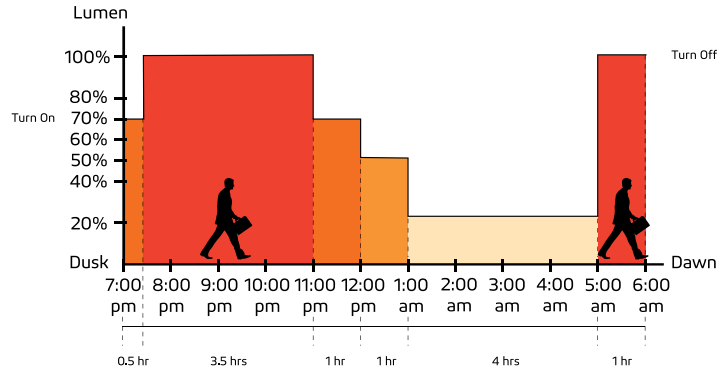
5. Night Owl Mode

Changes as natural light decreases/increases (turns on at dusk); 70% brightness for 0.5 hour, 100% brightness for 3.5 hours, 70% brightness for 1 hour, 50% brightness for 1 hour, 20% brightness for 5 hours (turns off at Dawn).



6. Early Bird Mode

Changes as natural light decreases/increases with increased brightness near dawn for early risers (turns on at dusk); 70% brightness for 0.5 hour, 100% brightness for 3.5 hours, 70% brightness for 1 hour, 50% brightness for 1 hour, 20% brightness for 4 hours, 100% brightness for 1 hour (turns off at Dawn).



Important

Dusk and dawn time may be different in other locations and seasons. The sensors of our products will follow the light patterns of where it is installed. The time period shown in the chart above is just an example to help you understand the different lighting modes only.

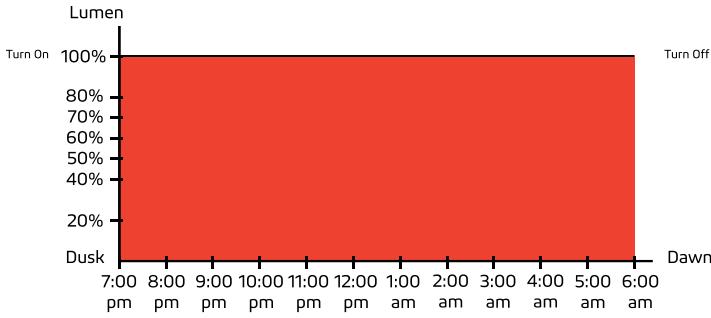


SUNLIKE 8W 20W 30W 50W

REMOTE CONTROLS

7. 100% Constant Mode

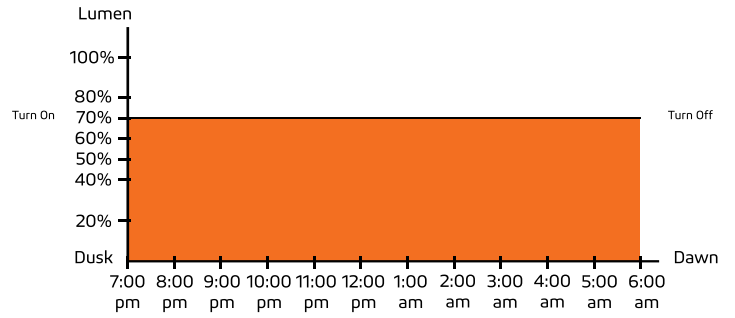
100% brightness from dusk to dawn.



CATALOG		COMMENTS
PROJECT		
PREPARED BY		
DATE		

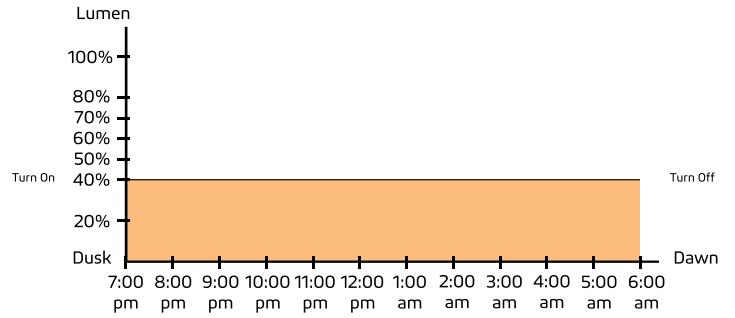
8. 70% Constant Mode

70% brightness from dusk to dawn.



9. 40% Constant Mode

40% brightness from dusk to dawn.



10. Timer Mode Disabled

Press this button to turn off Timer Mode; settings revert back to before Timer Mode was last activated.

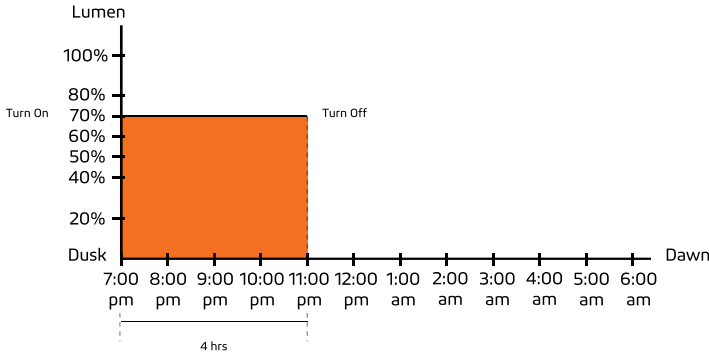


SUNLIKE 8W 20W 30W 50W

REMOTE CONTROLS

11. Timer Mode 4 Hours

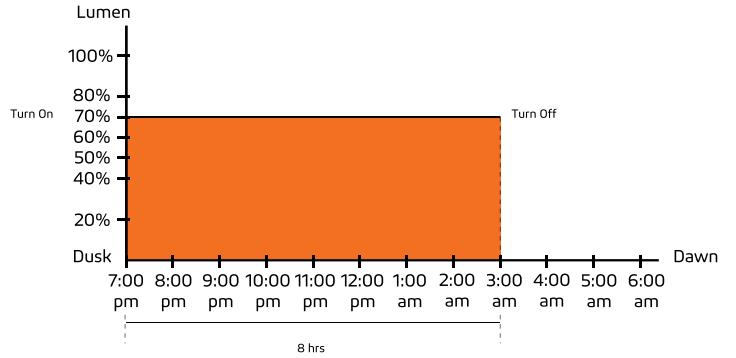
This is an additional mode which can work with any other modes. For example: press this button at any time after you turn on 70% Constant Mode. If the light turns on at 7pm at dusk, it will turn off at 11pm. It will repeat the same schedule hereafter until it is canceled by pressing Timer Mode Disabled.



CATALOG	PROJECT	COMMENTS

12. Time Mode 8 Hours

This is an additional mode which can work with any other modes. For example: press this button at any time after you turn on 70% Constant Mode. If the light turns on at 7pm at dusk, it will turn off at 3am. It will repeat the same schedule hereafter until it is canceled by pressing Timer Mode Disabled.



Important

Dusk and dawn time can vary for different locations and seasons. The sensors in our products will monitor the light levels where it is installed. The time period shown in the chart above is just an example to help you understand the different lighting modes.



SUNLIKE 8W 20W 30W 50W

CATALOG		COMMENTS
PROJECT		
PREPARED BY		
DATE		

WARRANTY

SUNLIKE products are covered by a 5 year limited warranty. SOLTECH urban light warrants to the original purchaser that this product is free from defects in materials and workmanship for the period of 5 years from date of purchase. To obtain warranty service please contact your local distributor or sales rep for further instruction.



1460 Park Avenue.
Emeryville, CA 94608 USA

www.soltechlighting.com

SOLTECH LLC reserves the right to update all product data sheets at any time. Consult SOLTECH marketing specialists for publication updates at hello@soltechlighting.com

Copyright©2022-2023 SOLTECH LLC,
All Rights Reserved.