



SCOUT Solar Light Tower

APPLICATIONS

The SCOUT mobile solar light tower is the ideal solution for temporary outdoor solar lighting. SCOUT light tower can be easily transported from location to location, without trenching, cabling, electricity, nor diesel fuel costs.

DESCRIPTION

SCOUT solar light tower is the perfect product for a long-term illumination of medium to large sized working areas. The SCOUT solar light tower is a very compact model with the highest mast of the range which up to 22 units can be loaded on a single truck. but at the same time it can achieve 12 ft height mast to ensures high illuminating coverage.

ORDERING INFORMATION

STLTWR04M

SPECIFICATIONS

Flood Lights	
Type	2 X 100W
Lights Output	30,000Lm
Color Temp	5,700K
Efficiency	150Lm/W
IP Class	IP67
Illuminated Area	8,611sq ft

CATALOG		COMMENTS
PROJECT		
PREPARED BY		
DATE		



Solar Panel	
Type	Monocrystal Silicon
Rate Power	1 x 460W
Solar Charger	MPPT
Tilt Angle	90°
Rotation Angle	360°
System Voltage	DC 12V

Battery	
Type	LiFePO ₄ Lithium
Capacity	14.8V 200Ah
Charging Time	5 hr
Operate Time	14 hr (Without Charging)



SCOUT Solar Light Tower

CATALOG		COMMENTS
PROJECT		
PREPARED BY		
DATE		

SPECIFICATIONS

Mast	
Maximum Height	5m / 16.4ft
Lifting System	Manual Winch
Maximum wind Speed	80km/h
Safety Pin	YES
Guy wire holes	YES

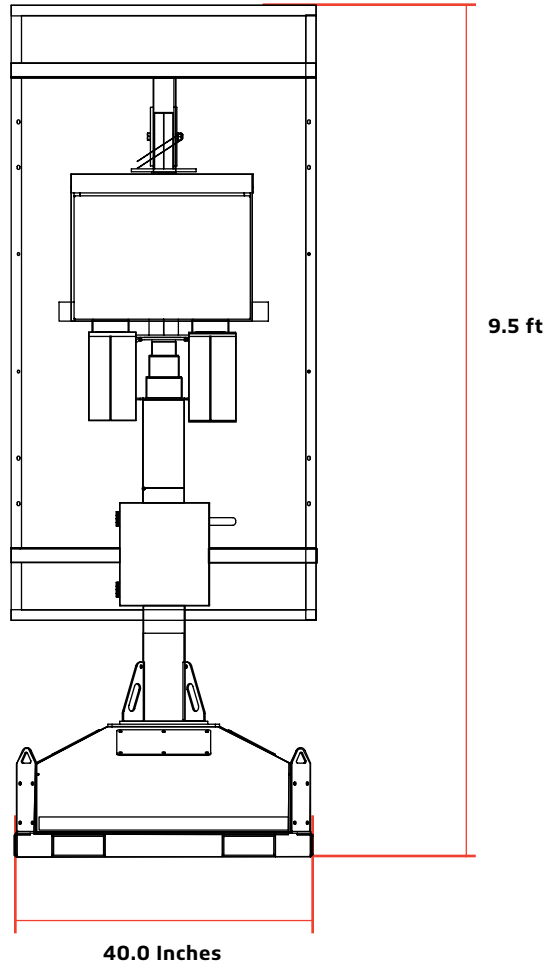
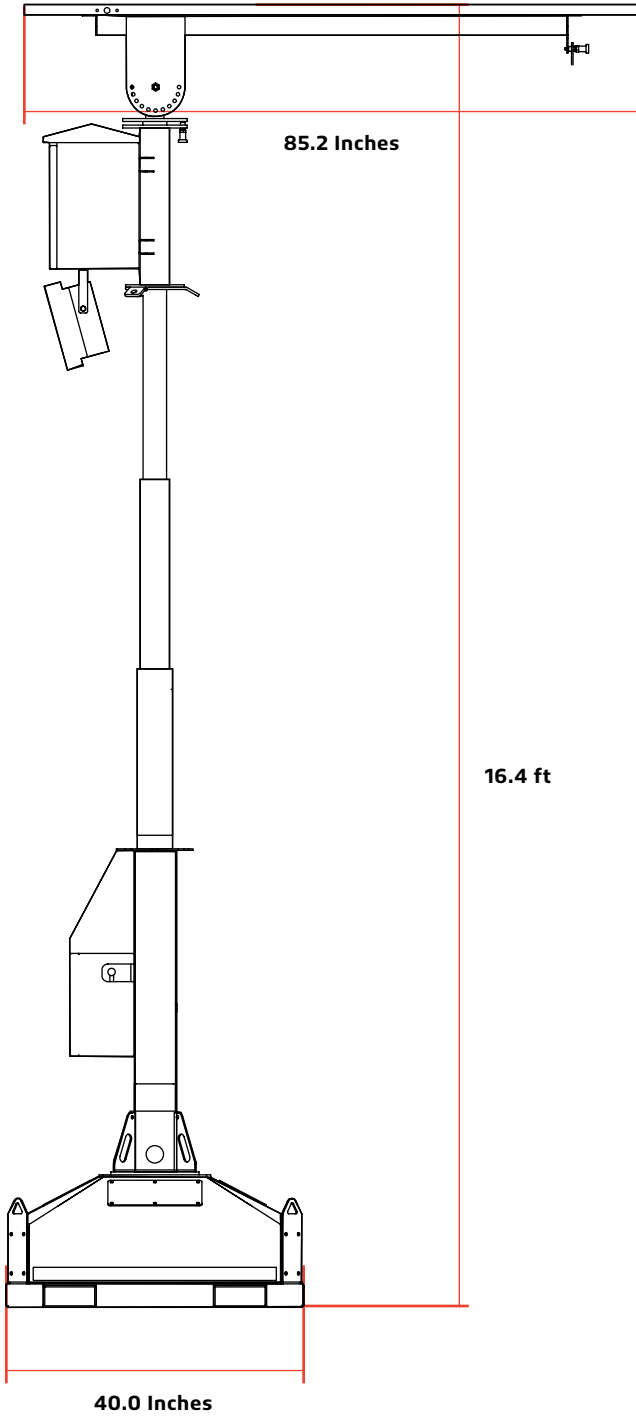
Base	
Type	Hot Dip Galvanized
Skid Pocket	4 Sides
Lifting Point	4 Pcs
Max Dimensions	85.2 X 40.0 X 197.0 In
Min Dimensions	40.0 X 40.0 X 114.0 In
Weight	1874.0 lb



SCOUT Solar Light Tower

CATALOG		COMMENTS
PROJECT		
PREPARED BY		
DATE		

SIZE





SCOUT Solar Light Tower

CATALOG		COMMENTS
PROJECT		
PREPARED BY		
DATE		

WARRANTY

SCOUT Solar Mobile Tower products are covered by a 5 year limited warranty. SOLTECH warrants to the original purchaser that this product is free from defects in materials and workmanship for the period of 5 years from date of purchase. To obtain warranty service please contact your local distributor or sales rep for further instruction.



1460 Park Avenue.
Emeryville, CA 94608 USA

soltechlighting.com

SOLTECH LLC reserves the right to update all product data sheets at any time. Consult SOLTECH marketing specialists for publication updates at hello@soltechlighting.com

Copyright©2022-2023 SOLTECH LLC,
All Rights Reserved.