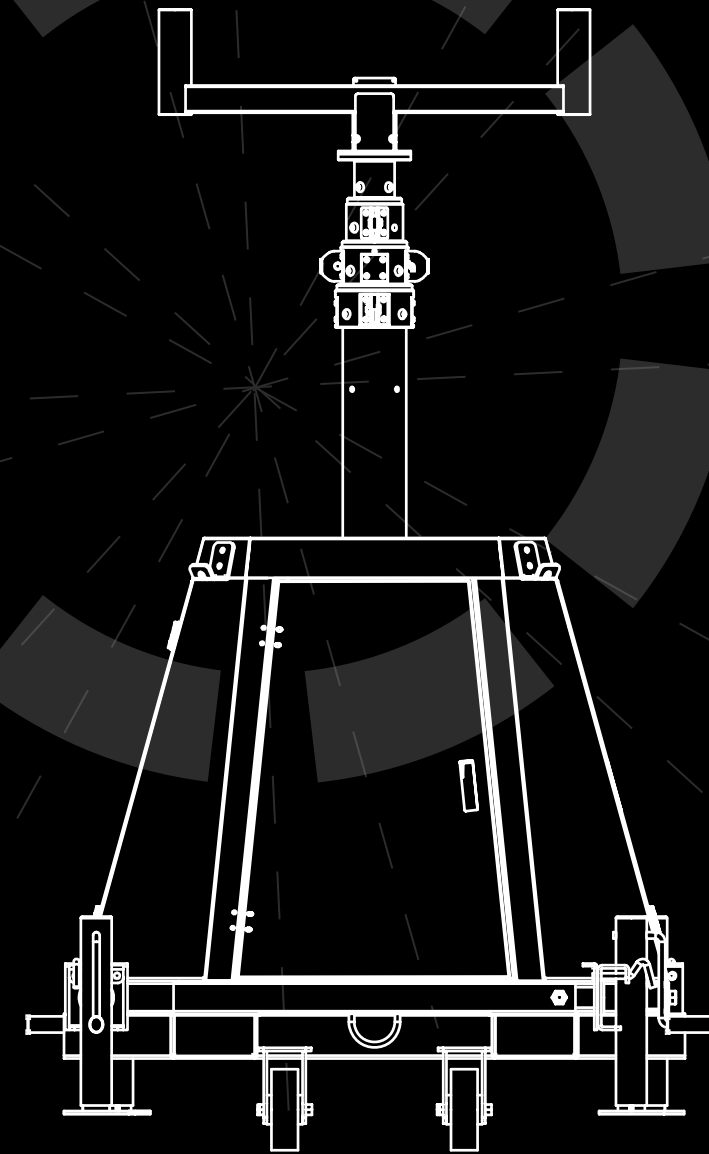


REMOVABLE DOUBLE MAST HEADS



TWINKO Mobile Solar Light Tower

TWINKO mobile solar light tower provides versatile temporary lighting. It's ideal for construction sites, natural disasters, and mining operations. The double heads can be assembled with SUNLIKE 20W/30W and SUNLIKE PRO 30W. TWINKO light tower can be easily transported from location to location.



For more information, please visit our website:
www.soltechlighting.com



APPLICATIONS

TWINKO Mobile Solar Light Tower

REMOVABLE DOUBLE MAST HEADS

Unlike other construction site light towers, TWINKO has removable double mast heads for storage. SOLTECH provides solar light fixtures for every application. At 16 feet high, TWINKO creates a wider illumination area that is ideal for parking lots, construction sites, mining camps, events, roadwork, and more.

LIGHTING FIXTURE OPTIONS

- SUNLIKE PRO 30W X1 6,000 lumen
- SUNLIKE 20W X1 4,000 lumen
- SUNLIKE 20W X2 8,000 lumen (SOLAR FIXTURE NOT INCLUDED)

OPTIONS

- SUNLIKE PRO 30W X1 6,000 lumen
- SUNLIKE 30W X1 6,000 lumen (SOLAR FIXTURE NOT INCLUDED)

(Eight Light towers on a regulation soccer field)

Lights: Eight 30-watt fixtures

Light Height: 16 ft.

Lighting Area: 400X250 ft.

Luminosity: 0.35 f/c average across the entire area

Both SUNLIKE PRO 30W & SUNLIKE 30W provide the same luminance, but SUNLIKE PRO is designed for colder weather with the superior battery pack.

OPTIONS

- SUNLIKE 20W X1 4,000 lumen (SOLAR FIXTURE NOT INCLUDED)

(Eight Light towers on a regulation soccer field)

Lights: Eight 20-watt fixtures

Light Height: 16 ft.

Lighting Area: 400X250 ft.

Luminosity: 0.25 f/c average across the entire area

SUNLIKE 20W lights up the same coverage area with a darker luminosity. This option is more affordable and high cost-performance rate.

OPTIONS

- SUNLIKE 20W X2 8,000 lumen (SOLAR FIXTURE NOT INCLUDED)

(Eight Light towers on a regulation soccer field)

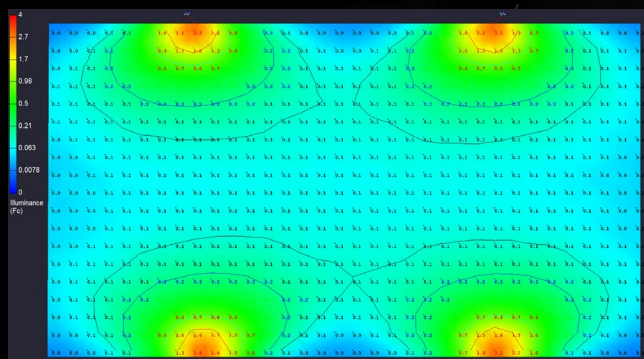
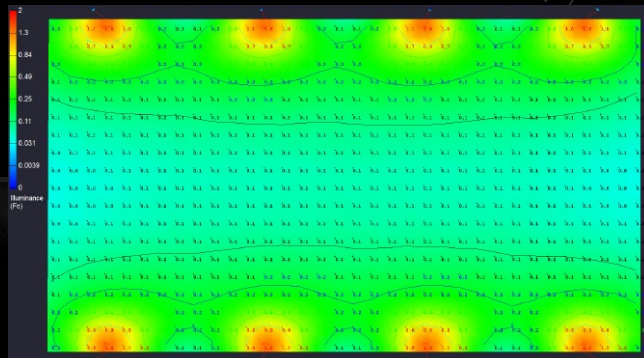
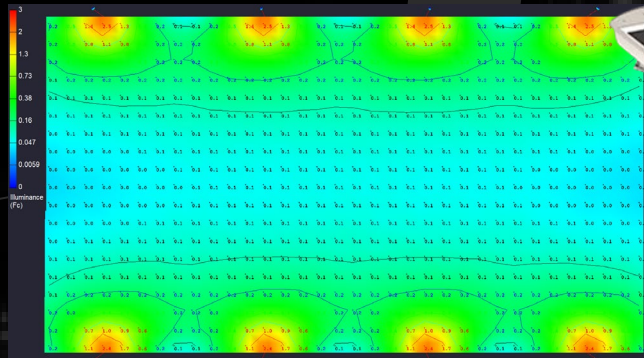
Lights: Eight 20-watt fixtures

Light Height: 16 ft.

Lighting Area: 400X250 ft.

Luminosity: 0.25 f/c average across the entire area

SUNLIKE 20W lights up the same coverage area with a darker luminosity. This option is more affordable and high cost-performance rate.



FEATURES



Flexible Range of Visibility

- 150 AH, 1,500 W integrated gel-battery ensures 120 cycles of raising and lowering the mast, one charge lasts an entire month.
- 16 foot tower height provides a wider range of illumination area.



Heavy Duty Guarantee

- Aluminium mast, 4 sections, 16 ft max.
- Electrical winch rated to 3,000 lbs with limit sensor, DC 12V



Clean, Quiet & Environmentally Friendly

- No generator emissions
- Quiet and produce no exhausts
- Direct alternative to diesel, gas, or electric grid



Easy Deploy & Move

- Forklift pocket, base 1m x 1m (40 in x 40 in, matches a standard pallet)
- 4 manual stabilizer legs



Lower Costs

- No trenching, cabling, electricity nor diesel costs
- Zero emission of greenhouse gases

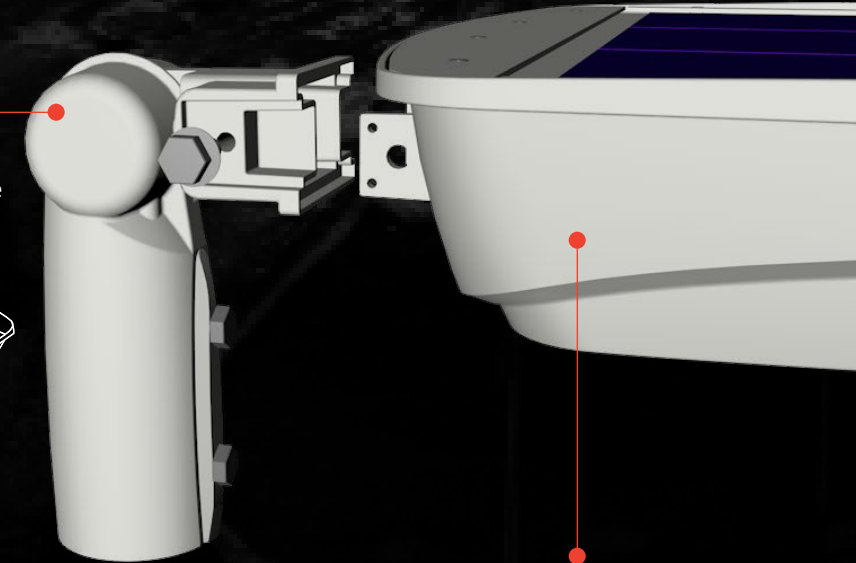
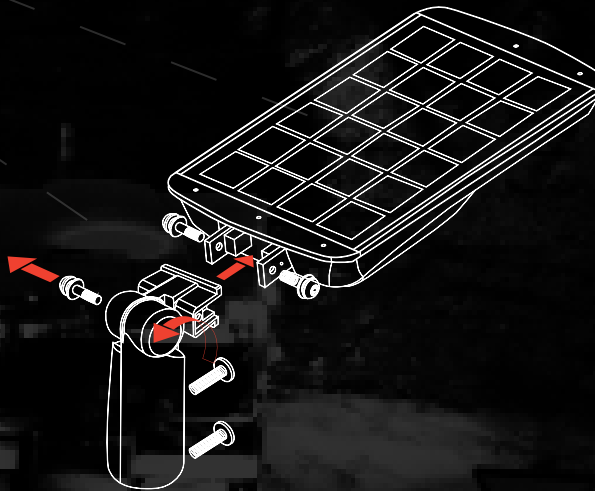


Meet Specific Lighting & Operating Requirements

- 120VAC input plug
- SUNLIKE mounting accessories included
- Creates a wider illumination area at 16 ft high

SLIP FITTER

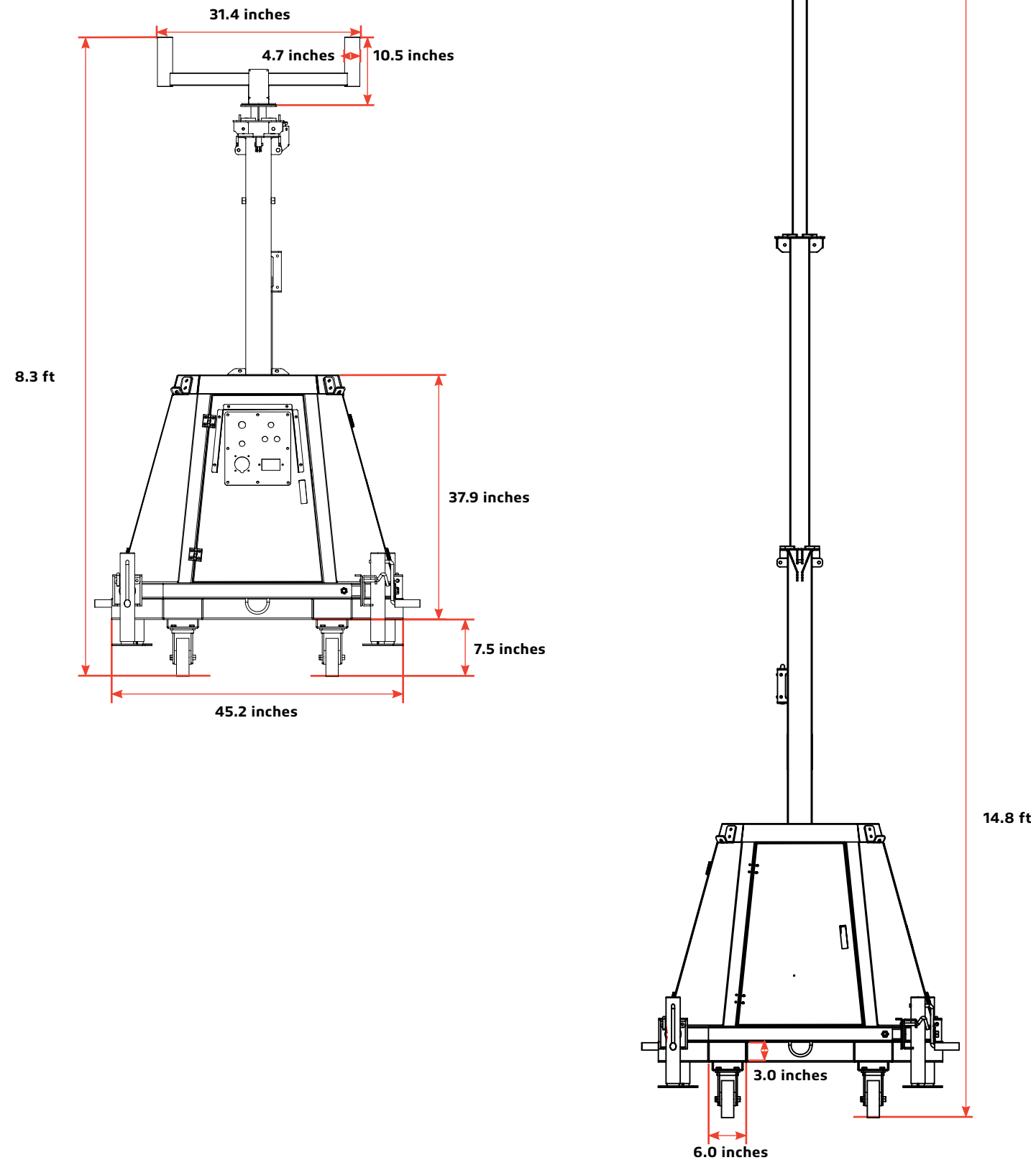
Adjustable angle for the fixture head allows maximum solar collection and self-cleaning of the solar panel surface



SUNLIKE reduces total cost of ownership, and delivers high performance. This fully-integrated LED solar area light is designed for both residential and commercial areas, in two different lumen outputs: 4000lm and 6000lm. SUNLIKE provides superior quality light over a greater area. The integrated solar array, battery, and LED fixture simplifies mounting, for fast and easy installation. SUNLIKE eliminates trenching, cabling, electricity, and diesel fuel costs.

DIMENSIONAL DRAWINGS

TWINKO Mobile Solar Light Tower



SPECIFICATIONS & PERFORMANCE

TWINKO Mobile Solar Light Tower

SPECIFICATIONS	TWINKO
MAX HEIGHT	14.8ft (Without Luminaire)
COLLAPSED HEIGHT	8.3 ft (Without Luminaire)
MAST MATERIAL	Steel
MAST PROFILE	Square
MAST SECTIONS	3
OPERATION	Electric Winch 3000 Lbs, DC12V
BATTERY	GEL DC12V 150AH, 120 times Lift and Down Autonomy
CHARGER	1,500W AC 110V Input
MAST MAX LOAD	88 Lbs
MAX WIND SPEED	90 mph
WARNING STRIPS	Included
LIFT LIMIT STOPPER	Included
LIFTING EYES	X 4
FORK POCKETS	Included
WHEEL	Included (With Brake)
MAST FLANGE	Included
WEIGHT	1,210 Lbs (Without Luminaire)
DIMENSIONS	45.2 inches X 45.2 inches X 83.0 inches (Collapsed Without Luminaire)

LUMINAIRE SPECIFICATIONS

TWINKO Mobile Solar Light Tower

SPECIFICATIONS	SUNLIKE 20W	SUNLIKE 30W	SUNLIKE PRO 30W
LED NOMINAL POWER	20	30	30
SOLAR PANEL	18V 36W	18V 52W	18V 52W
BATTERY	256WH 12.8V 20AH LiFePO ₄	384WH 12.8V 30AH LiFePO ₄	320WH 12.8V 25AH Superior
WEIGHT	21.4 Lbs	29.8 Lbs	47.1 Lbs
LUMEN OUTPUT@5000K	4,000	6,000	6,000
IP RATING	IP65	IP65	IP65
CRI	CRI > 70	CRI > 70	CRI > 70
CASTING	ALUMINUM	ALUMINUM	ALUMINUM
EFFICIENCY@5000K	200 LM/W	200 LM/W	200 LM/W
LED CHIP	Lumileds 5050 (215 LM-CR>70)	Lumileds 5050 (215 LM-CR>70)	Lumileds 5050 (215 LM-CR>70)
* CHARGING TIME	7 Hrs	7 Hrs	11 Hrs
RUN TIME (@FULL POWER)	10 Hrs	10 Hrs	10 Hrs
OPERATION MODE	REMOTE CONTROL AND ONE-KEY SETTING	REMOTE CONTROL AND ONE-KEY SETTING	REMOTE CONTROL AND ONE-KEY SETTING
INSTALLATION HEIGHT	9 to 16 ft	9 to 20 ft	9 to 20 ft
* OPERATING TEMPERATURE	-20°C/-4°F to 122°F	-20°C/-4°F to 122°F	-40°C/-40°F to 140°F
* CHARGING TEMPERATURE	0°C/32°F to 149°F	0°C/32°F to 149°F	-40°C/-40°F to 140°F

* The temperature can impact the battery's charging and normal operation. If your site's temperature is under 32°F, we advise you to use the SUNLIKE PRO model to achieve better lighting results.
 * The solar charge time data is based on 77 degree F ambient temperature with the panel pointed directly at the solar radiation. The standard radiation value is 1000W/m².

PRODUCT NUMBER BUILDER

Example: **STLWR01E**STLSTC**20**T**33**SFGY**2**

This means the customer wants a Solar Mobile Tower Twinko, SUNLIKE 20W, Type III, 3000K CCT, Slip Fitter installation, with a Gray finish and 2 Fixtures.

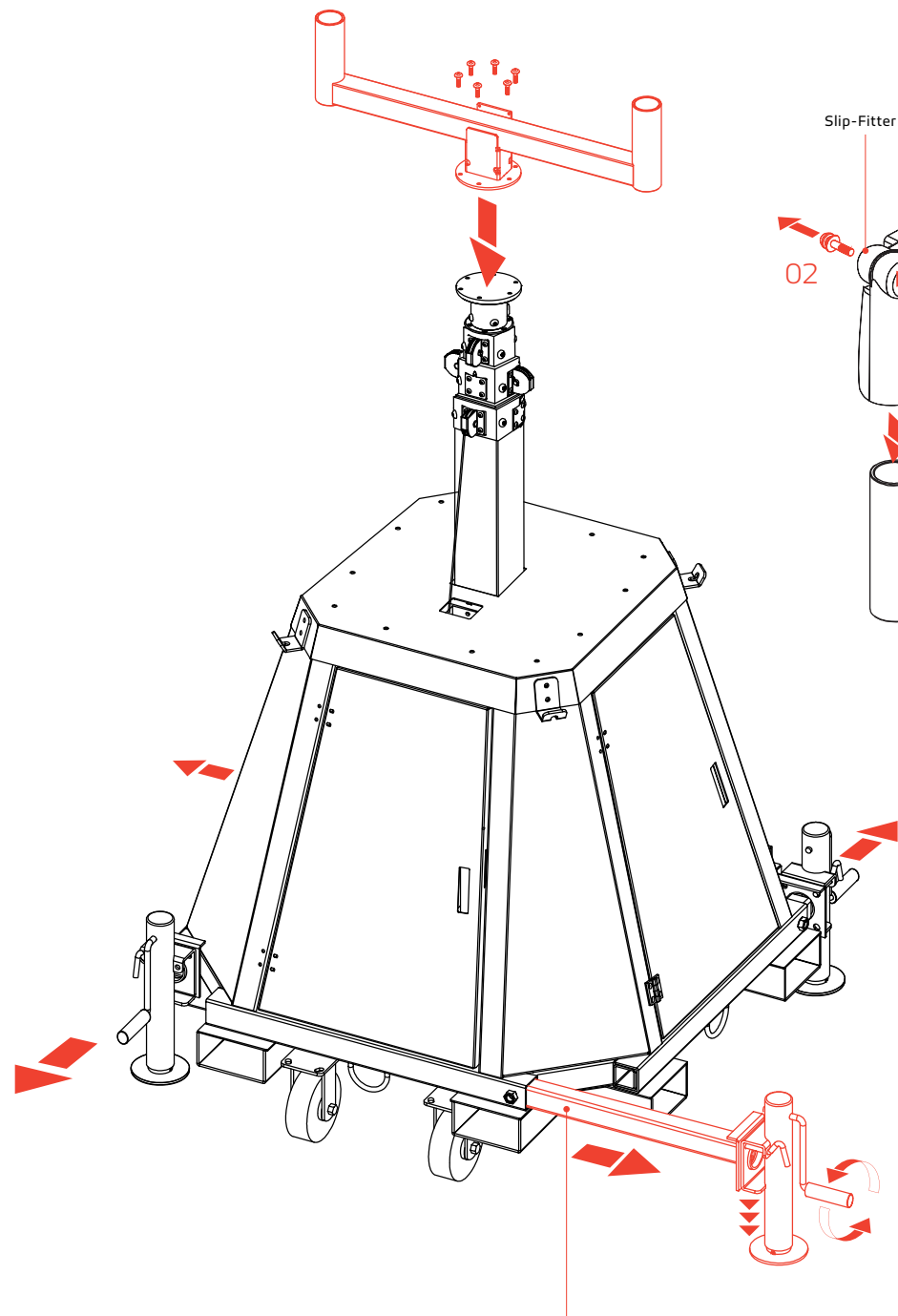
TOWER	FIXTURE						
	SERIES	WATTAGE	OPTIC TYPE	COLOR TEMPERATURE	MOUNTING OPTIONS	FINISH	FIXTURES QTY
STLWR01E=TWINKO Solar Mobile Tower	STLSTC=SUNLIKE STLSTCPRO =SUNLIKE PRO	20=20W 4000 Lumens <small>(only for SUNLIKE)</small> 30=30W 6000 Lumens	T2=TYPE II <small>(only for SUNLIKE 30W SUNLIKE PRO 30W)</small> T3=TYPE III T4=TYPE IV <small>(only for SUNLIKE 30W SUNLIKE PRO 30W)</small>	3=3000K 4=4000K 5=5000K 6=5700K	SF=Slip Fitter	GY=Gray	1=1 2=2 <small>(only for SUNLIKE 20W)</small>



MOUNTING ACCESSORIES TWINKO Mobile Solar Light Tower

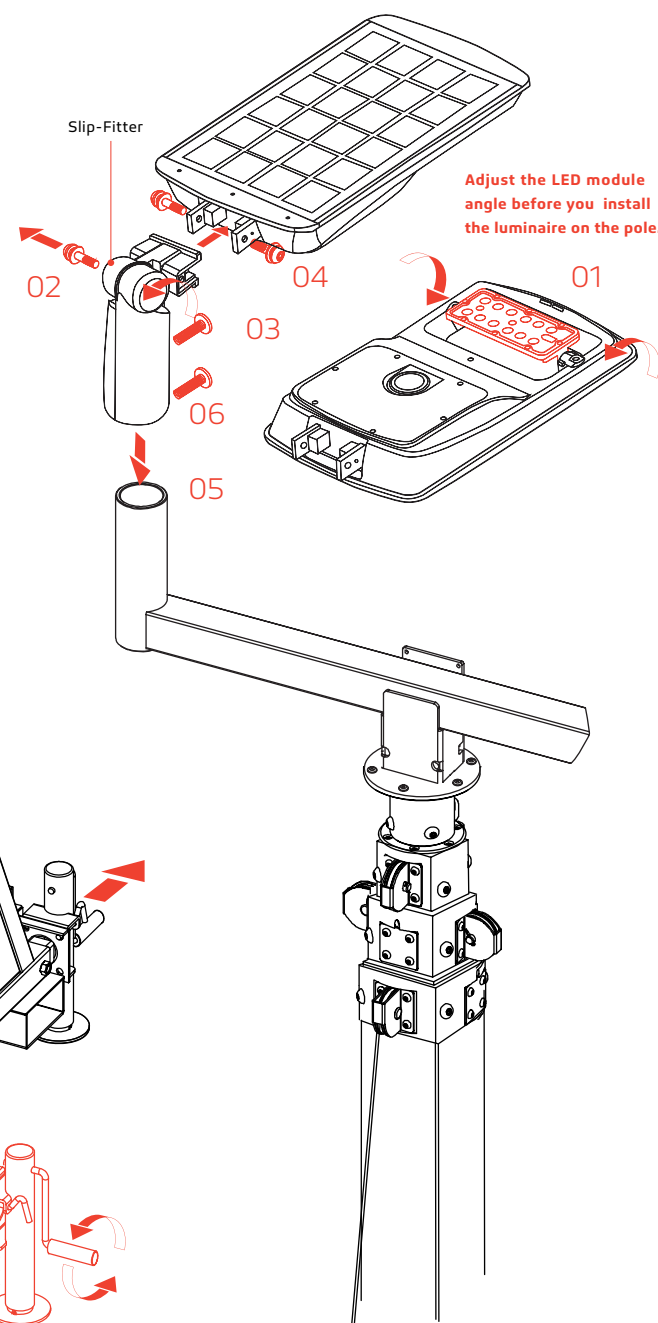


01. Install Tenon

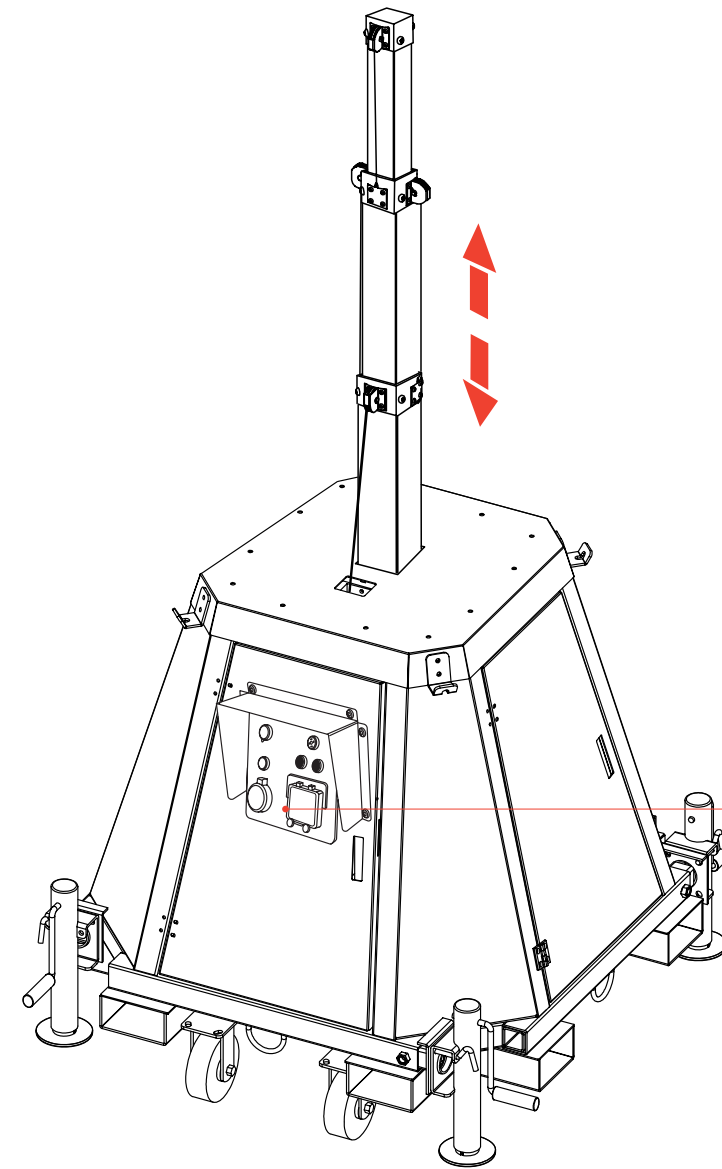


Manual Stabilizer Legs
Pull out the manual stabilizer legs at four directions and rotate handles to set up the TWINKO solar LED mobile light tower on the ground.

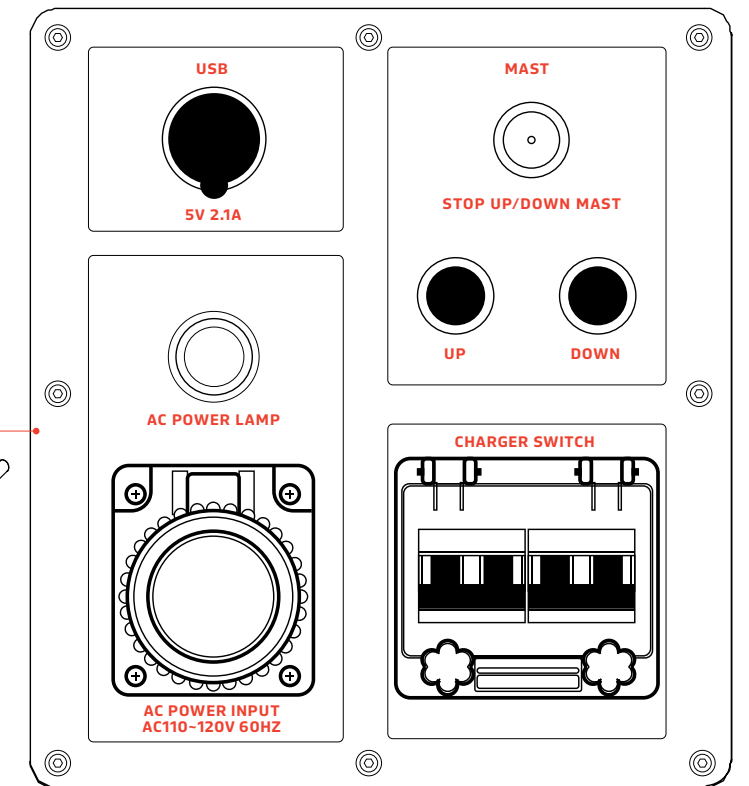
02. Install Luminaire



03. Adjust The Pole Height



Press the UP and DOWN buttons on the control board to adjust the pole height.



Control Board