



PORTA Solar Portable Pole

APPLICATIONS

The PORTA solar portable pole is the best suited for temporary lighting: rooftop, roadwork, security, pathway, walkway, entrance lighting, and any other portable applications.

DESCRIPTION

Solar Mobile Portable Pole PORTA has the most convenient plug and play design for clients who are searching for temporary lighting solution. For this reason, users can easily transfer it from place to place and set it up quickly. Because PORTA can work with many different SOLTECH solar fixtures, users do not need to do trenching and wiring which can save a lot of cost for them. PORTA has two pole heights and two base weights for client to choose. At the same time, client can choose different fixture options to fit their lighting needs.

CATALOG		COMMENTS
PROJECT		
PREPARED BY		
DATE		



ORDERING INFORMATION

Base	Pole	Fixture
STLPORBA72=PORTA 72lbs Rubber Base	STLPORPL5=PORTA 5ft PVC Pole	STLSFL104WMBK=SOLPAD 10W
STLPORBA150=PORTA 150lbs Rubber Base	STLPORPL8=PORTA 8ft PVC Pole	STLFLX63PMBZ=FLUX 6W
		STLFLX204PMBZ=FLUX 20W
		STLSTC08T35SFGY=SUNLIKE 8W
		STLBCNS8DYL24S=BEACON 8" Single-head Yellow

For example: STLPORBA72STLPORPL5STLSFL104WMBK

This means the customer wants a Solar Mobile Portable Pole PORTA with 72lbs Rubber Base, 5ft Pole Height and SOLPAD 10W Fixture.

DO NOT send the sample number directly to our salesperson. Use the information in the chart above to create a model number with the correct series, wattage, temperature, mounting option, and finish for the product that you want.

Porta-Pole Disclaimer

PORTA-Pole is specified to be compatible with SOLTECH-approved light fixtures included in this spec sheet. It is strongly recommended NOT to substitute lights to maintain EPA integrity.

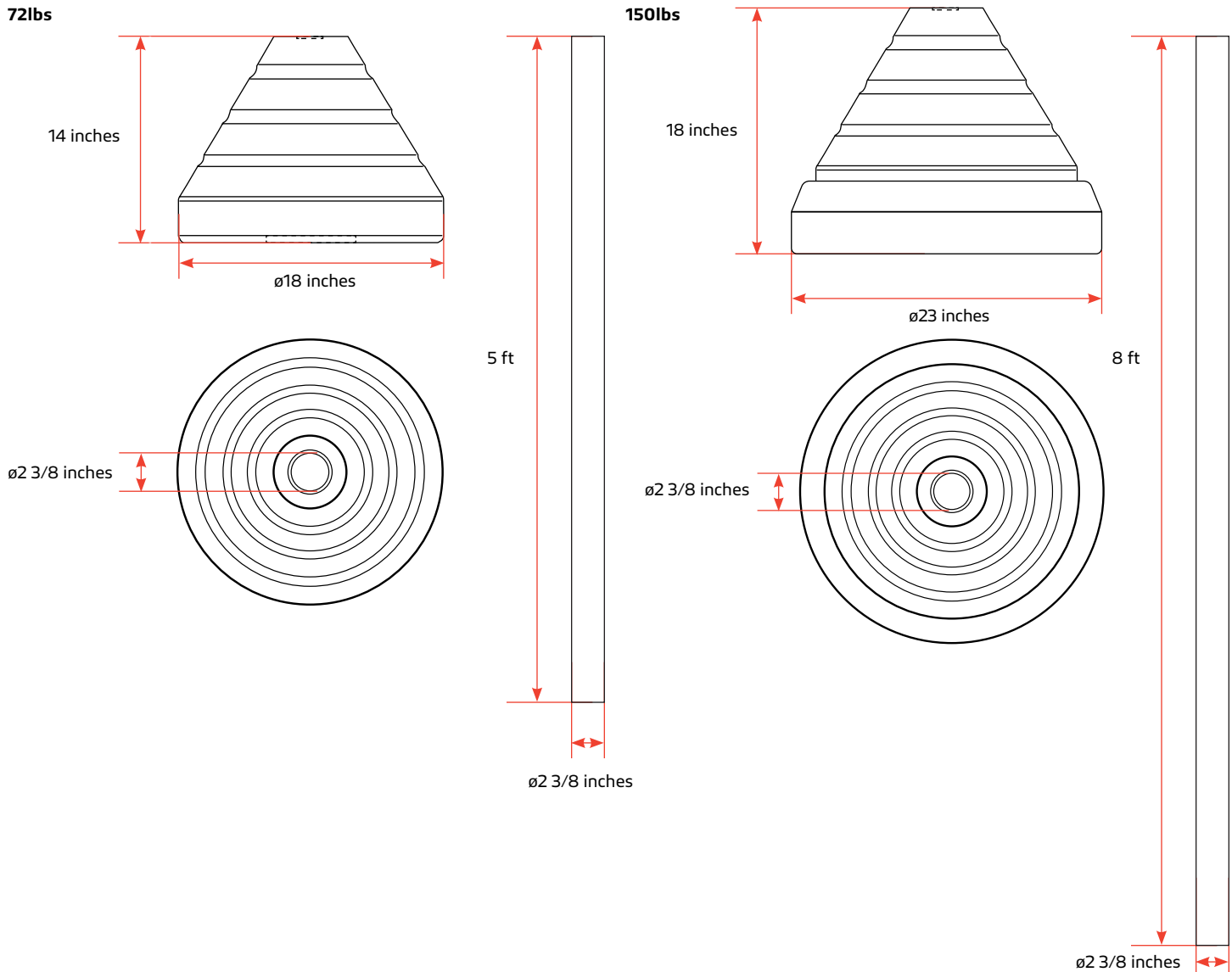
CATALOG		COMMENTS
PROJECT		
PREPARED BY		
DATE		

PORTA Solar Portable Pole

SPECIFICATION

Specifications	PORTA	
Pole Height Options	5ft / 8ft (Without Luminaire)	
Base Weight Options	72lbs / 150lbs	
Casting	PVC and Rubber	
Base Dimensions	72lbs: 18 X 18 X 14 In	150lbs: 23 X 23 X 18 In
Pole Profile	Round	
Pole Sections	1	

BASE SIZE

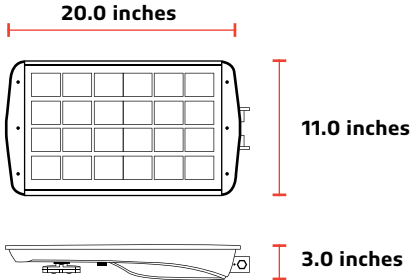




PORTA Solar Portable Pole

LUMINAIRE OPTIONS

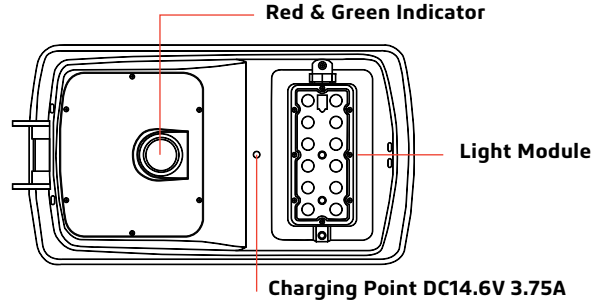
SUNLIKE 8W



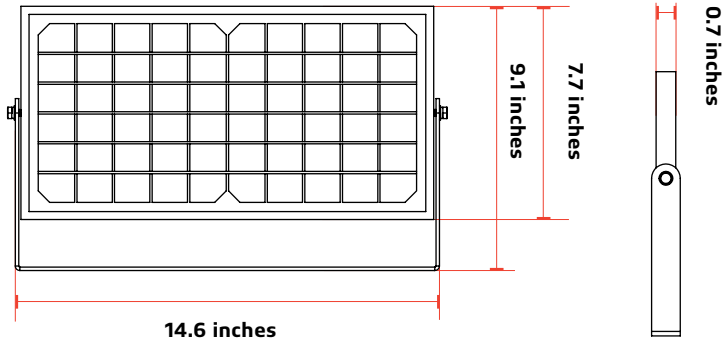
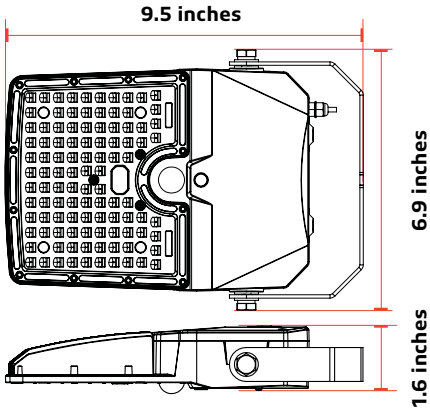
CATALOG		COMMENTS
PROJECT		
PREPARED BY		
DATE		

Porta-Pole Disclaimer

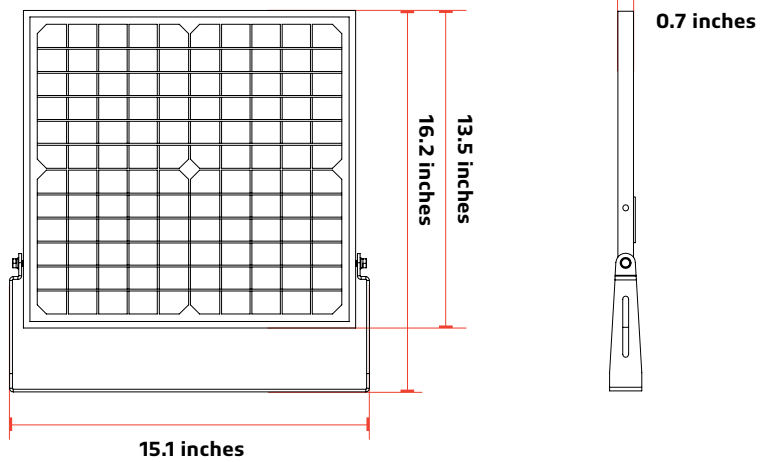
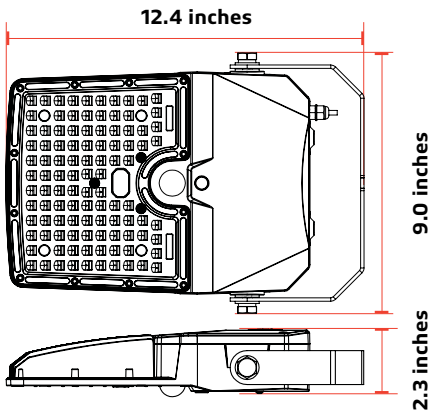
PORTA-Pole is specified to be compatible with SOLTECH-approved light fixtures included in this spec sheet. It is strongly recommended NOT to substitute lights to maintain EPA integrity.



FLUX 6W



FLUX 20W

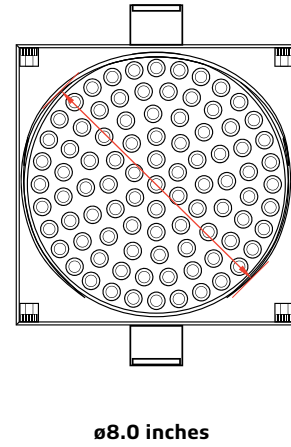
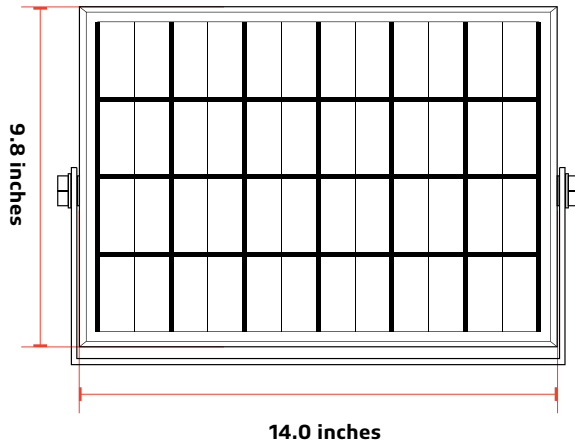


PORTA Solar Portable Pole

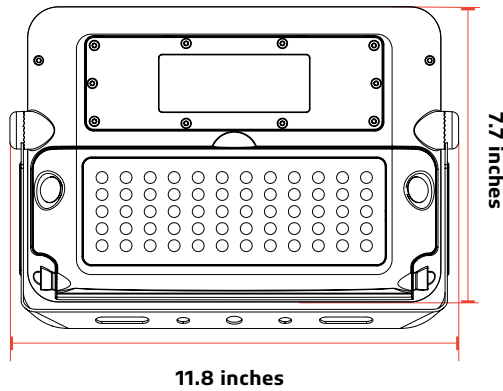
LUMINAIRE OPTIONS

CATALOG		COMMENTS
PROJECT		
PREPARED BY		
DATE		

8" Single-Head BEACON



SOLPAD 10W



Porta-Pole Disclaimer

PORTA-Pole is specified to be compatible with SOLTECH-approved light fixtures included in this spec sheet. It is strongly recommended NOT to substitute lights to maintain EPA integrity.

PORTA Solar Portable Pole

FIXTURE SPECIFICATION

CATALOG		COMMENTS
PROJECT		
PREPARED BY		
DATE		

Specification	SUNLIKE 8W	SOLPAD 10W
LED Nominal Power	8W	10W
Solar Panel	18V 17W	Mono-Crystalline 5.5V 6W
LiFePO ₄ Battery	115.2WH 12.8V 9AH	3.7V
Weight	11.7 lbs	/
Lumen Output	1,600@5000K	1,000@4000K
CRI	> 70	> 70
LED Chip	Lumileds 5050 (215lm-CR>70)	/
EPA@45°	1.7	/
Waterproof Rate	IP65	IP65
Casting	Aluminum	PC & Aluminum
Efficiency	200 lm/W@5000K	100 lm/W@4000K
* Charging Time	7hrs	7hrs
Run Time(@Full Power)	10hrs	2-3 Days
Operation Mode	Remote control and One-key Setting	3 Operating Modes
Installation Height	6 to 13 ft	5 to 10 ft
* Operating Temperature	-20°C/-4°F to 122°F	-20.5°C/-5°F to 113°F
* Charging Temperature	0°C/32°F to 149°F	0°C/32°F to 149°F
Maximum Autonomy		
Motion Sensor Mode	40%-100% 35hrs 20%-80% 55hrs	/
Time Control Mode	Night Owl 28hrs Early Bird 25hrs	/
Constant Mode	100% 12hrs 70% 17hrs 40% 30hrs	/

* The temperature can impact the battery's charging and normal operation. If your place's temperature is under 32°F, we advice you to use the SUNLIKE PRO version to achieve better lighting results.

* The solar charge time data is base on 77 degree F ambient temperature with the panel pointed directly at the solar radiation. The standard radiation value is 1000W/m².

CATALOG		COMMENTS
PROJECT		
PREPARED BY		
DATE		

PORTA Solar Portable Pole

FIXTURE SPECIFICATION

Specifications	FLUX 6W	FLUX 20W
LED Nominal Power	6W	20W
Solar Panel	Mono-Crystalline 10V 10W	Mono-Crystalline 10V 20W
LiFePO ₄ Battery	6.4V 3AH	6.4V 12AH
CCT	4,000K	4,000K
Lumen Output@4000K	1,020	3,400
CRI	> 70	> 70
Product Size	Light Head 9.5 X 6.9 X 1.6 Inches Solar Panel 7.7 X 14.6 X 0.7 Inches	Light Head 12.4 X 9.0 X 2.3 Inches Solar Panel 13.5 X 15.1 X 0.7 Inches
Beam Spread	>130°, NEMA type 7 Very Wide	>130°, NEMA type 7 Very Wide
EPA	1.41	2.51
Cable Length	16.5 ft	16.5 ft
IP Rating	IP66	IP66
Casting	PC & Aluminum	PC & Aluminum
Efficiency@4000K	170 lm/W	170 lm/W
* Charging Time	6hrs (1000W/m ²)	6hrs (1000W/m ²)
Run Time (@Full Charged)	5-7 Rainy Days	5-7 Rainy Days
Operation Mode	7 Operating Modes	7 Operating Modes
PIR Sensor Angle / Distance	360° / 16.4 ft	360° / 16.4 ft
* Operating Temperature	-20°C/-4°F to 122°F	-20°C/-4°F to 122°F
* Charging Temperature	0°C/32°F to 149°F	0°C/32°F to 149°F

* The temperature can impact the battery's charging and normal operation. If your place's temperature is under 32°F, we advice you to use the SUNLIKE PRO version to achieve better lighting results.

* The solar charge time data is base on 77 degree F ambient temperature with the panel pointed directly at the solar radiation. The standard radiation value is 1000W/m².



PORTA Solar Portable Pole

CATALOG		COMMENTS
PROJECT		
PREPARED BY		
DATE		

Specifications	BEACON 8" Single-head
LED Nominal Power	3.6W
Solar Panel	Mono-Crystalline 18V 10W
Lithium Ion Battery	12V 8.8Ah
Light Color	Yellow/Red
Illuminance	8,000 mcd (Red) 7,000 mcd (Yellow)
Product Size	Light Head ø8.0 Inches Solar Panel 14.0 X 9.8 X 0.6 Inches
Beam Angle	30°
IP Rating	IP65
Material	UV-Resistant Polycarbonate
* Charging Time	9hrs (1000W/m ²)
Run Time (@Full Charge)	5-7 Days
Working Mode	24/7 12/7
Standard Hardware	Fits 3" to 4" Diameter Poles
Flashing	50 times per minute (customization available on request)
Visible Distance	>2,500 feet
* Operating Temperature	-4 °F to 140 °F
* Charging Temperature	23 °F to 140 °F

* The temperature can impact the battery's charge and daily operation.

* The solar charge data is base on 77 degree F ambient temperature with the panel facing direct solar radiation. The standard radiation value is 1000W/m².



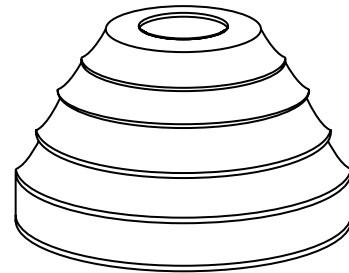
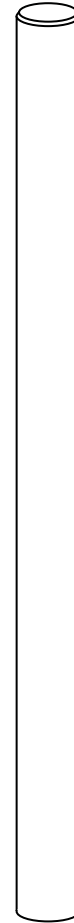
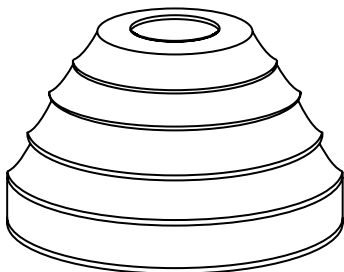
PORTA Solar Portable Pole

INSTALLATION PORTA POLE INSTALLATION

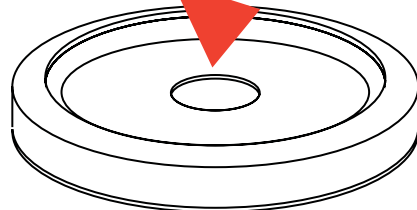
CATALOG		COMMENTS
PROJECT		
PREPARED BY		
DATE		



72lbs



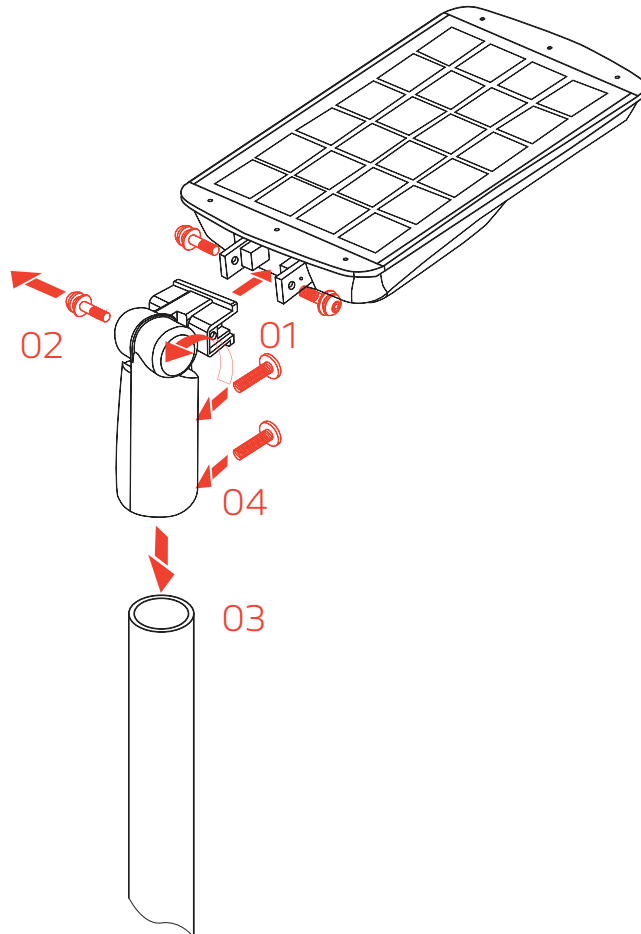
150lbs



PORTA Solar Portable Pole

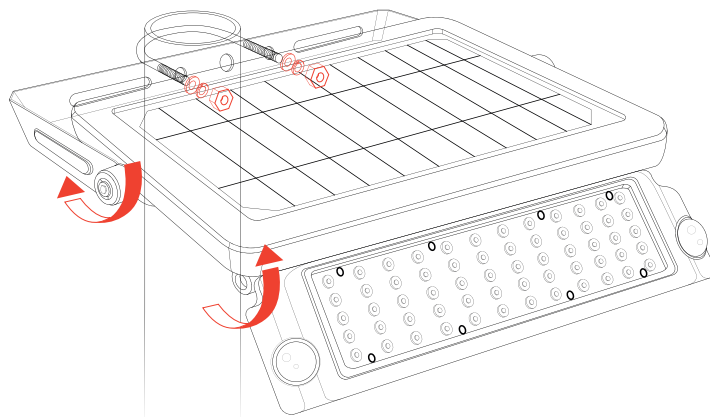
INSTALLATION SUNLIKE 8W INSTALLATION

CATALOG		COMMENTS
PROJECT		
PREPARED BY		
DATE		



1. Connect SUNLIKE fixture with slip fitter.
2. Adjust the panel angle.
3. Mount slip fitter on the top of the PORTA pole.
4. Tighten up two screws to screw the SUNLIKE fixture.

SOLPAD 10W INSTALLATION



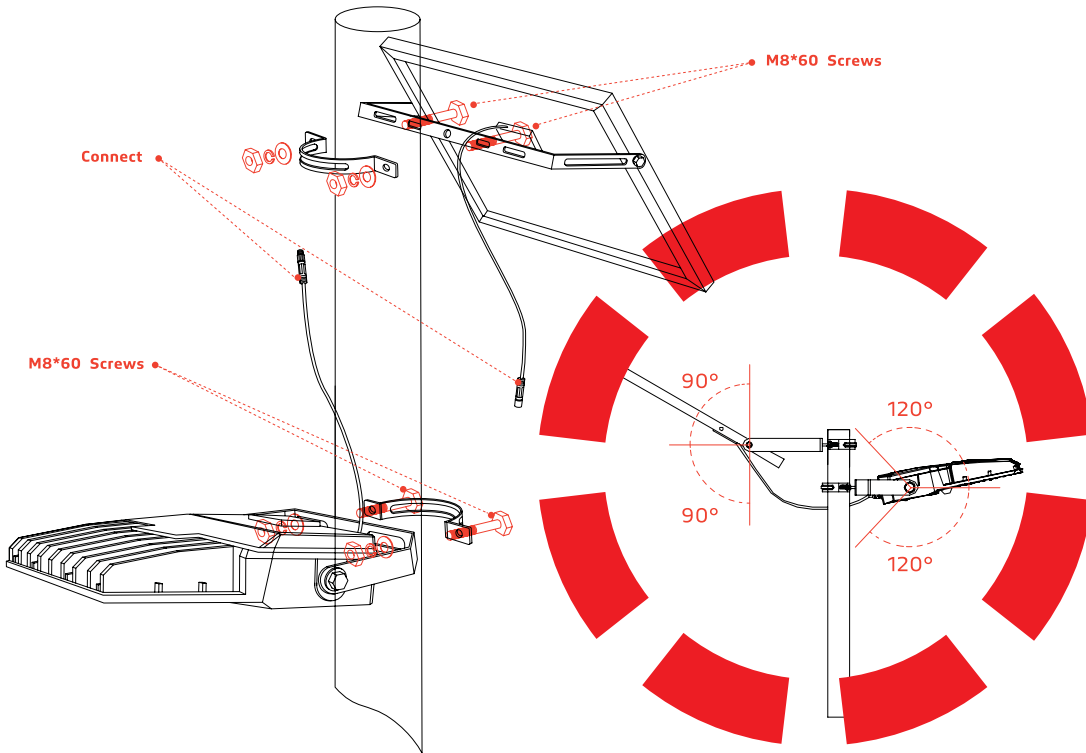
1. Round Pole Mount
Diameter of 1.6–2.4 inches
2. Square Pole Mount
Side length of 1.2–1.6 inches

PORTA Solar Portable Pole

INSTALLATION

FLUX 6W/20W INSTALLATION

CATALOG		COMMENTS
PROJECT		
PREPARED BY		
DATE		



First, mount the solar panel to the pole:

1. Use the screw kit to secure the pole mount base and the solar panel bracket to the pole.
2. Then attach the solar panel to the bracket.

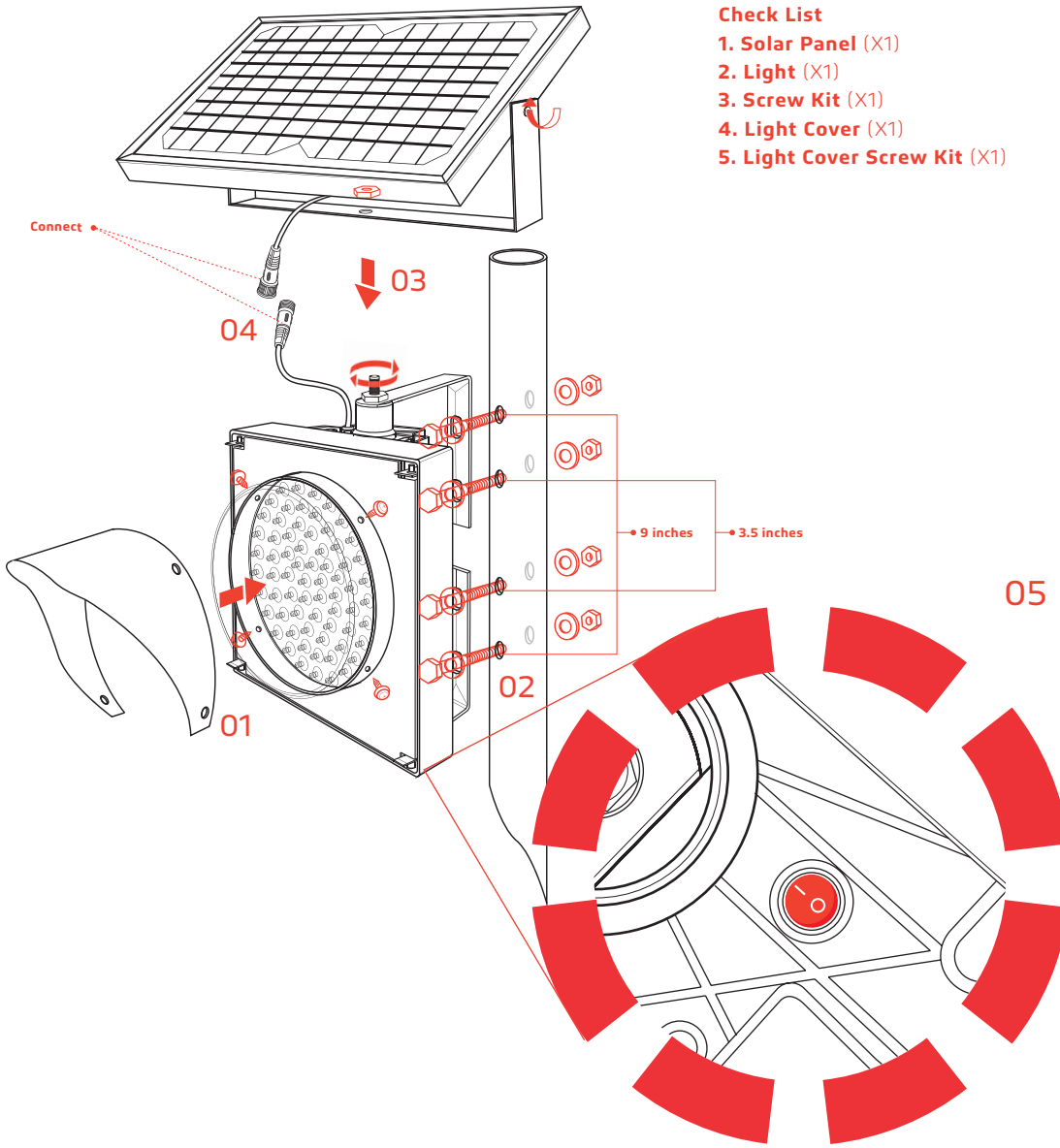
Then, mount the fixture:

3. Attach the bracket to the fixture.
4. Use the screw kit to secure the fixture bracket to the pole mount base on the pole.
5. Connect the light and solar panel cables.

PORTA Solar Portable Pole

INSTALLATION BEACON INSTALLATION

CATALOG		COMMENTS
PROJECT		
PREPARED BY		
DATE		



Check List

- 1. Solar Panel (X1)
- 2. Light (X1)
- 3. Screw Kit (X1)
- 4. Light Cover (X1)
- 5. Light Cover Screw Kit (X1)

1. Roll up the light cover. Use the light cover screw kit to secure the cover on the light.
2. Install the light by screwing the light bracket to the pole with the screw kit.
3. Install the solar panel bracket to the light bracket, tighten to secure.
4. Connect the solar panel cable to the light cable.
5. Press the On/Off button at the bottom of the light to turn the light on.

05
Press the On/Off button at the bottom of the light to turn the light on.



PORTA Solar Portable Pole

WARRANTY

PORTA Solar Mobile Pole products (Pole and Base Only) are covered by a 5 year limited warranty. SOLTECH warrants to the original purchaser that this product is free from defects in materials and workmanship for the period of 5 years from date of purchase. To obtain warranty service please contact your local distributor or sales rep for further instruction.

CATALOG		COMMENTS
PROJECT		
PREPARED BY		
DATE		



1460 Park Avenue.
Emeryville CA 94608 USA
soltechlighting.com

SOLTECH LLC reserves the right to update all product data sheets at any time. Consult SOLTECH marketing specialists for publication updates at hello@soltechlighting.com

Copyright©2022-2023 SOLTECH LLC, All Rights Reserved.