

**THE MOST  
CONVENIENT  
SOLUTION  
FOR TEM-  
PORARY  
OUTDOOR  
LIGHTING.**



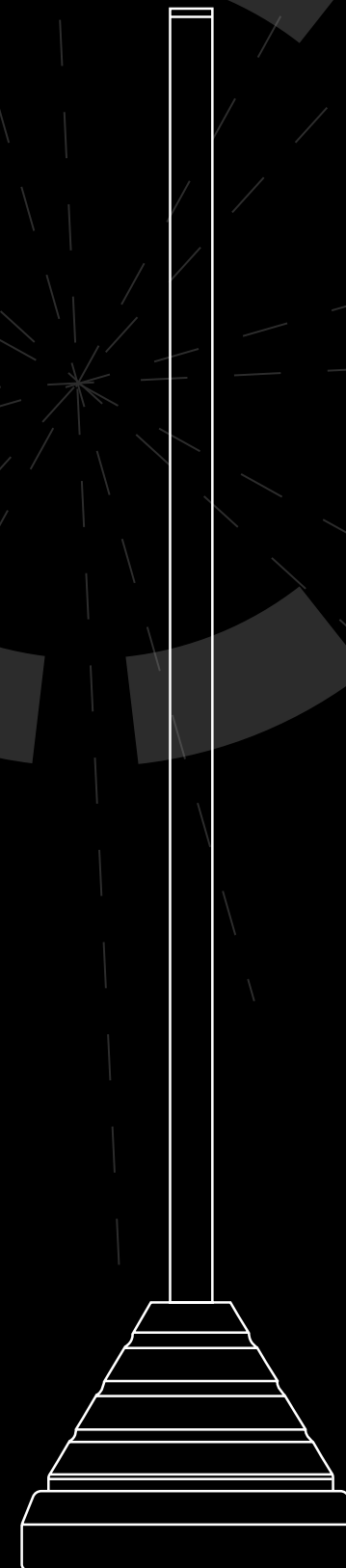
# PORTA

## Solar Mobile Portable Pole

Solar Mobile Portable Pole PORTA has the most convenient plug and play design for clients who are searching for temporary lighting solution. For this reason, users can easily transfer it from place to place and set it up quickly.



For more information, please visit our website:  
[www.soltechlighting.com](http://www.soltechlighting.com)





# APPLICATIONS

PORTA Solar Mobile Portable Pole

## THE MOST CONVENIENT SOLUTION FOR TEMPORARY OUTDOOR LIGHTING.

Solar Mobile Portable Pole PORTA has the most convenient plug and play design for clients who are searching for temporary lighting solution. For this reason, users can easily transfer it from place to place and set it up quickly.



### Porta-Pole Disclaimer

PORTA-Pole is specified to be compatible with SOLTECH-approved light fixtures included in this spec sheet. It is strongly recommended NOT to substitute lights to maintain EPA integrity.

### SOLTECH Solar Mobile Light Tower Options

Please scan the QR code below to access the detail information of SOLTECH luminaires.



### LIGHTING FIXTURE OPTIONS

- SUNLIKE 8W 1,600 lumen
- FLUX 6W 1,020 lumen
- FLUX 20W 3,400 lumen
- SOLPAD 10W 1,000 lumen
- BEACON 8" Single-head Flash Light (SOLAR FIXTURE NOT INCLUDED)



Please scan the QR code to access the detail information of PORTA.



# FEATURES



### Multiple Lighting Options

- PortaPole offers a safe yet inexpensive solution for illuminating roads and pedestrian pathways during nighttime.
- Durable and sleek, this portable lighting solution is compatible with SOLTECH's FLUX, SUNLIKE, BEACON, and SOLPAD solar lights to illuminate the dark corners around you.



### Heavy Duty Construction

- Durable pole bases that are aerodynamic and heavy enough to stay upright, yet light enough to be tipped and rolled to another location.
- Round plastic post with safety yellow cap, 5 and 8 foot posts available
- Autonomous operation from dusk to dawn



### Easy Deploy & Move

- Durable Design: 70-150lb Weighted Base
- No Assembly Required
- Rapid Deploy Setup



### Clean, Quiet & Environmental Friendly

- Made in the USA from 100% post-consumer recycled rubber and plastic makes our bases the most durable, attractive, and eco-friendly base on the market.

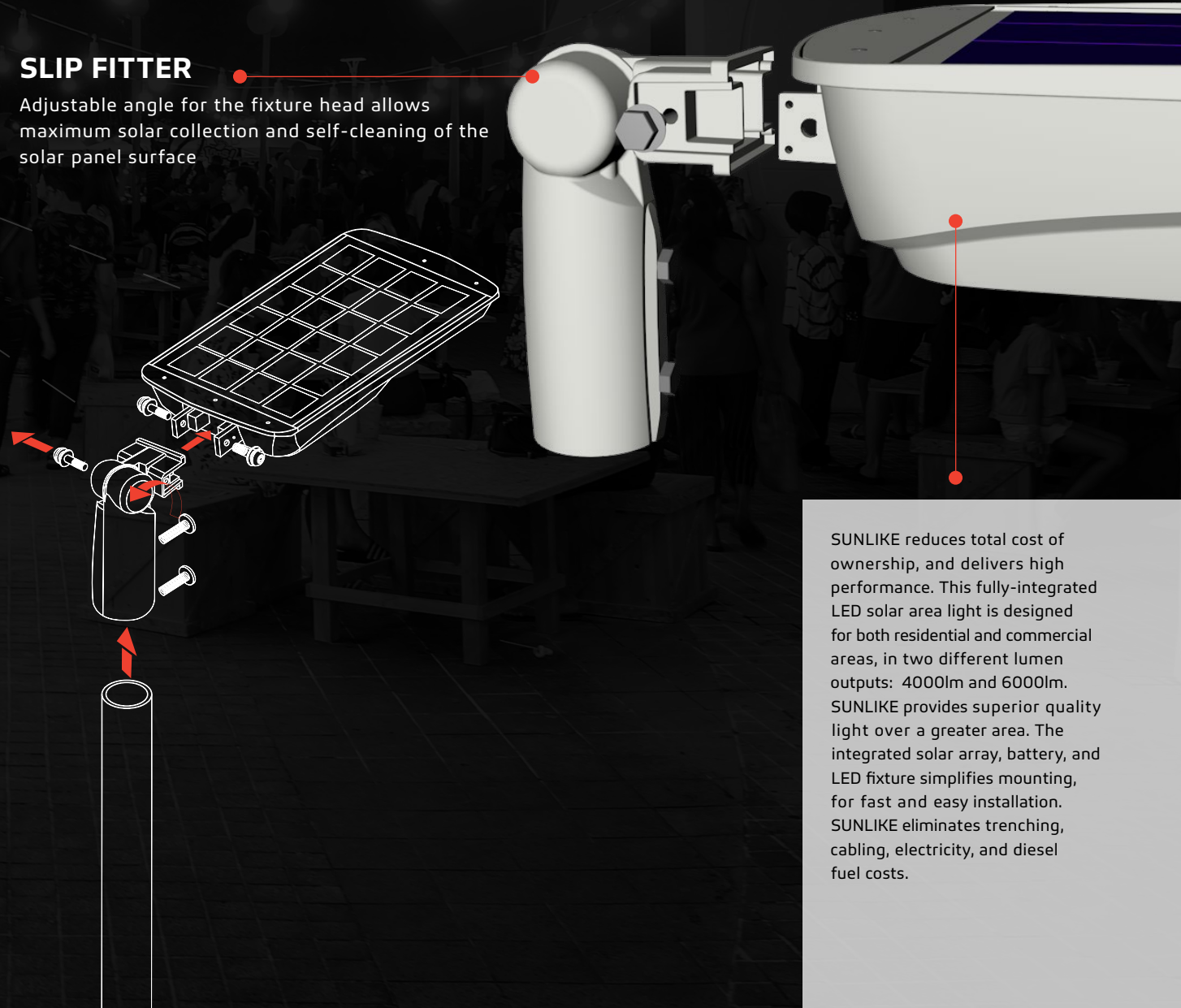


### Greater Cost Savings

- Eliminates trenching, cabling, electricity, and diesel fuel costs.

### SLIP FITTER

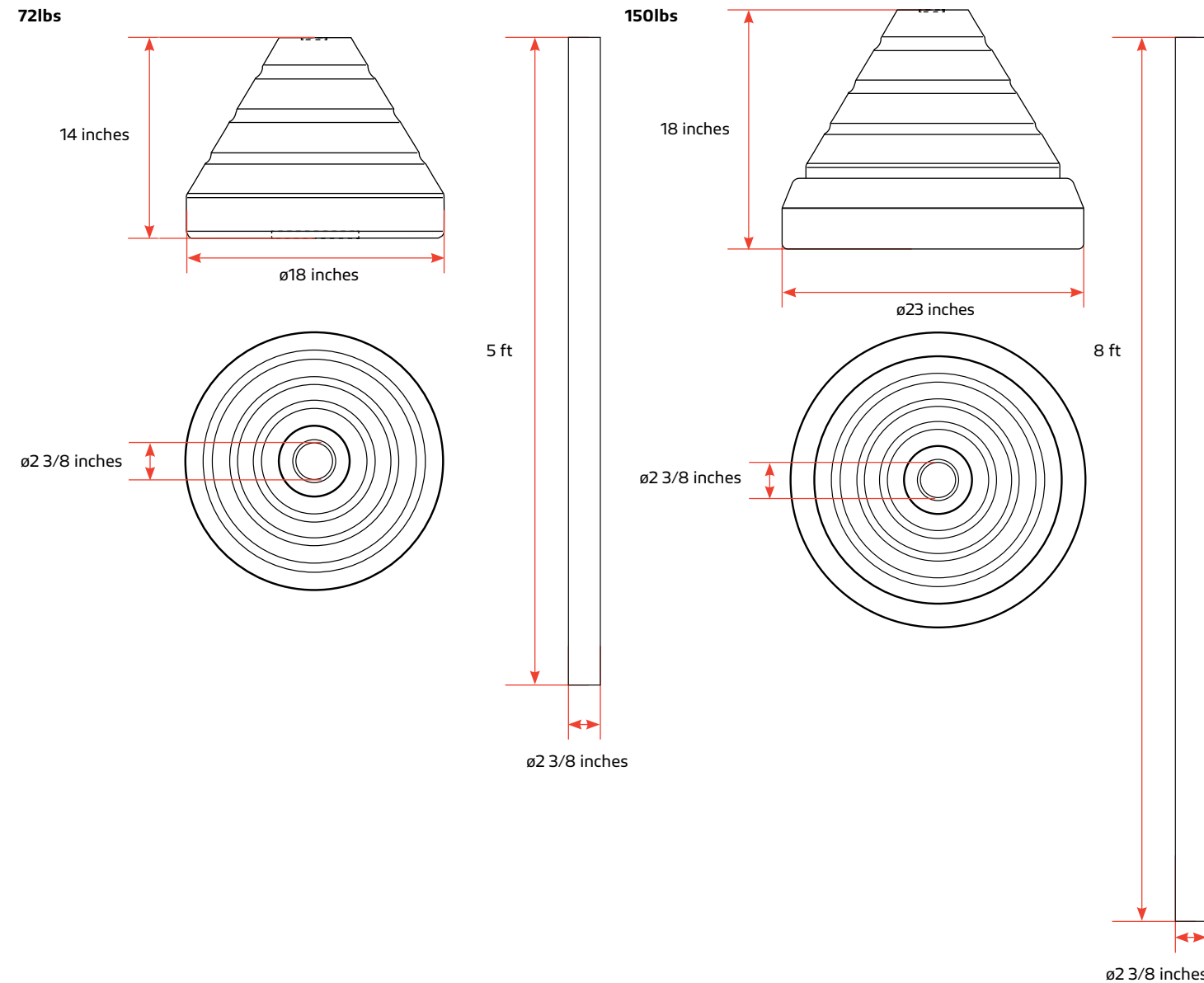
Adjustable angle for the fixture head allows maximum solar collection and self-cleaning of the solar panel surface



SUNLIKE reduces total cost of ownership, and delivers high performance. This fully-integrated LED solar area light is designed for both residential and commercial areas, in two different lumen outputs: 4000lm and 6000lm. SUNLIKE provides superior quality light over a greater area. The integrated solar array, battery, and LED fixture simplifies mounting, for fast and easy installation. SUNLIKE eliminates trenching, cabling, electricity, and diesel fuel costs.

# DIMENSIONAL DRAWINGS

## PORTA Solar Mobile Portable Pole



### Porta-Pole Disclaimer

PORTA-Pole is specified to be compatible with SOLTECH-approved light fixtures included in this spec sheet. It is strongly recommended NOT to substitute lights to maintain EPA integrity.

# SPECIFICATIONS & PERFORMANCE

## PORTA Solar Mobile Portable Pole

SPECIFICATIONS	PORTA	
POLE HEIGHT OPTIONS	5ft / 8ft (Without Luminaire)	
BASE WEIGHT OPTIONS	72lbs / 150lbs	
CASTING	PVC and Rubber	
BASE DIMENSIONS	72lbs: 18 X 18 X 14 In	150lbs: 23 X 23 X 18 In
POLE PROFILE	Round	
POLE SECTIONS	1	

# PRODUCT NUMBER BUILDER

Example: **STLPORBA72STLPORPL5STLSFL104WMBK**

This means the customer wants a Solar Mobile Portable Pole PORTA with 72lbs Rubber Base, 5ft Pole Height and SOLPAD 10W Fixture.

BASE	POLE	FIXTURE
<b>STLPORBA72</b> =PORTA 72lbs Rubber Base	<b>STLPORPL5</b> =PORTA 5ft PVC Pole	<b>STLSFL104WMBK</b> =SOLPAD 10W
<b>STLPORBA150</b> =PORTA 150lbs Rubber Base	<b>STLPORPL8</b> =PORTA 8ft PVC Pole	<b>STLFLX63PMBZ</b> =FLUX 6W
		<b>STLFLX204PMBZ</b> =FLUX 20W
		<b>STLSTC08T35SFGY</b> =SUNLIKE 8W
		<b>STLBCNS8DYL24S</b> =BEACON 8" Single-head Yellow
<input type="text"/>	- <input type="text"/>	- <input type="text"/>

**DO NOT** send the sample number directly to our salesperson. Use the information in the chart above to create a model number with the correct series, wattage, temperature, mounting option, and finish for the product that you want.

# LUMINAIRE SPECIFICATIONS

## PORTA Solar Mobile Portable Pole

SPECIFICATIONS	SUNLIKE 8W	SOLPAD 10W	FLUX 6W
LED NOMINAL POWER	8	10	6
SOLAR PANEL	18V 17W	5.5V 6W	10V 10W
LIFEPO <sub>4</sub> BATTERY	115WH 12.8V 9AH	3.7V	6.4V
WEIGHT	11.7 Lbs	/	/
LUMEN OUTPUT	1,600@5000K	1,000@4,000K	1,020@4,000K
IP RATING	IP65	IP65	IP66
CRI	CRI > 70	CRI > 70	CRI > 70
CASTING	ALUMINUM	ALUMINUM & PC	ALUMINUM & PC
EFFICIENCY	200 LM/W@5,000K	100 LM/W@4,000K	170 LM/W@4,000K
LED CHIP	Lumileds 5050 (215 LM-CR>70)	/	/
* CHARGING TIME	7 Hrs	7 Hrs	6 Hrs
RUN TIME (@FULL POWER)	10 Hrs	2-3 Days	5-7 Rainy Days
OPERATION MODE	REMOTE CONTROL AND ONE-KEY SETTING	ONE-KEY SETTING	7 Operating Modes
INSTALLATION HEIGHT	6 to 13 ft	5 to 10 ft	16.4 ft
* OPERATING TEMPERATURE	-20°C/-4°F to 122°F	-20.5°C/-5°F to 113°F	-20°C/-4°F to 122°F
* CHARGING TEMPERATURE	0°C/32°F to 149°F	0°C/32°F to 149°F	0°C/32°F to 149°F
			<b>BEAM SPREAD</b>
			>130°, NEMA type 7 Very Wide
			<b>CABLE LENGTH</b>
			16.5 ft

### Porta-Pole Disclaimer

PORTA-Pole is specified to be compatible with SOLTECH-approved light fixtures included in this spec sheet. It is strongly recommended NOT to substitute lights to maintain EPA integrity.

FLUX 20W	SPECIFICATIONS	BEACON 8" Single-head
20	LED NOMINAL POWER	3.6W
10V 20W	SOLAR PANEL	18V 10W
6.4V	LITHIUM ION BATTERY	12V
/	LIGHT COLOR	Yellow/Red
3,400@4,000K	ILLUMINANCE	8,000 mcd (Red) 7,000 mcd (Yellow)
IP66	PRODUCT SIZE	Light Head ø8.0 Inches Solar Panel 14.0 X 9.8 X 0.6 Inches
CRI > 70	BEAM ANGLE	30°
ALUMINUM & PC	IP RATING	IP65
170 LM/W@4,000K	MATERIAL	UV-Resistant Polycarbonate
/	* CHARGING TIME	9hrs (1000W/m²)
6 Hrs	RUN TIME (@FULL POWER)	5-7 Days
5-7 Rainy Days	WORKING MODE	24/7 Or 12/7
7 Operating Modes	STANDARD HARDWARE	Fits 3" to 4" Diameter Poles
16.4 ft	FLASHING	50 times per minute (customization available on request)
-20°C/-4°F to 122°F	VISIBLE DISTANCE	>2,500 ft
0°C/32°F to 149°F	* OPERATING TEMPERATURE	-20°C/-4°F to 140°F
	* CHARGING TEMPERATURE	0°C/32°F to 140°F
	<b>BEAM SPREAD</b>	
	>130°, NEMA type 7 Very Wide	
	<b>CABLE LENGTH</b>	
	16.5 ft	

\* The temperature can impact the battery's charging and normal operation. If your site's temperature is under 32°F, we advise you to use the SUNLIKE PRO model to achieve better lighting results.  
\* The solar charge time data is based on 77 degree F ambient temperature with the panel pointed directly at the solar radiation. The standard radiation value is 1000W/m².

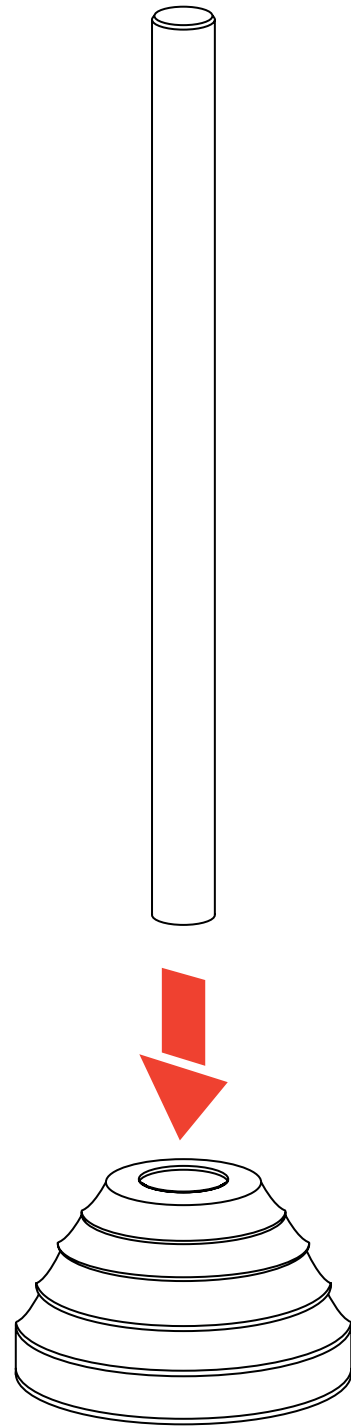
# MOUNTING ACCESSORIES

PORTA Solar Mobile Portable Pole

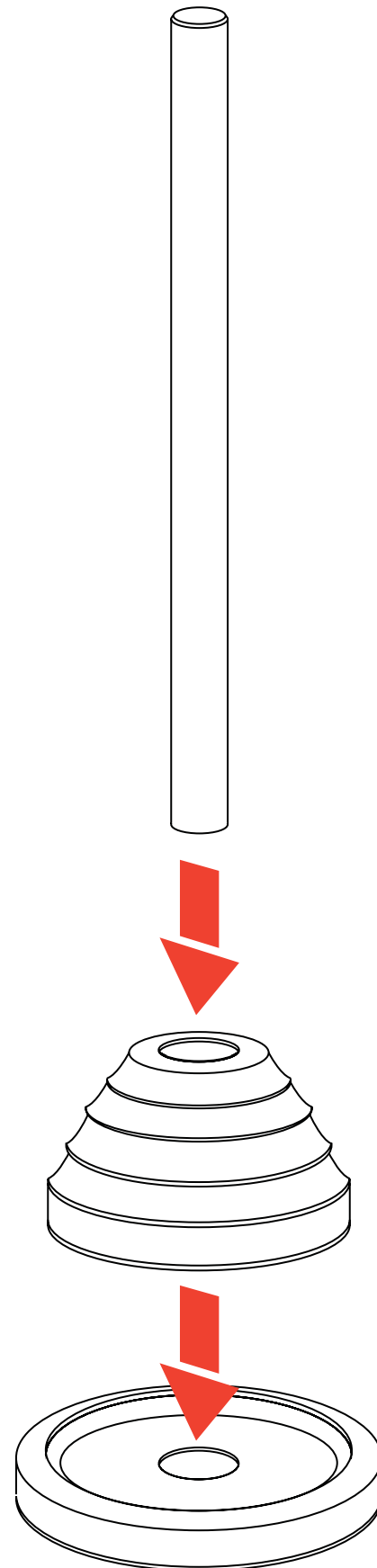


## 01. Porta Pole Installation

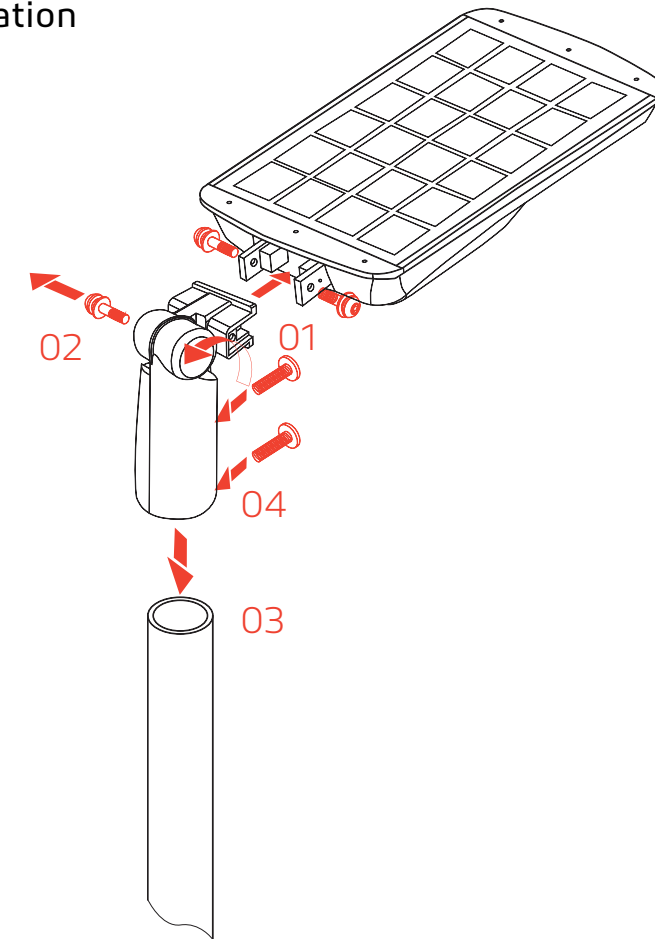
72lbs



150lbs

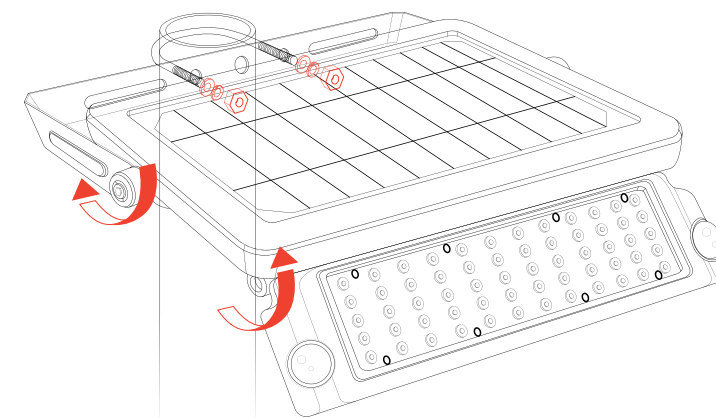


## 02. SUNLIKE 8W Installation



1. Connect SUNLIKE fixture with slip fitter.
2. Adjust the panel angle.
3. Mount slip fitter on the top of the PORTA pole.
4. Tighten up two screws to screw the SUNLIKE fixture.

## 03. SOLPAD 10W Installation

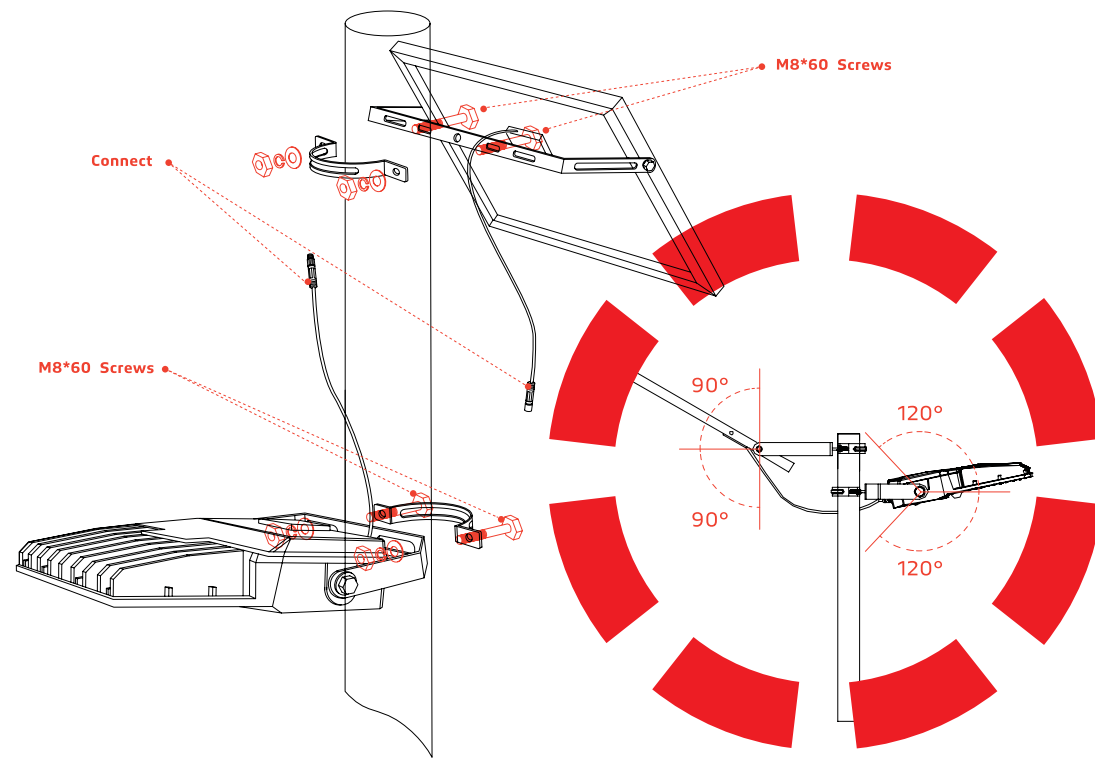


- Works With Round & Square Poles**
1. Round Pole Mount  
Diameter of 1.6-2.4 inches
  2. Square Pole Mount  
Side length of 1.2-1.6 inches

# MOUNTING ACCESSORIES PORTA Solar Mobile Portable Pole

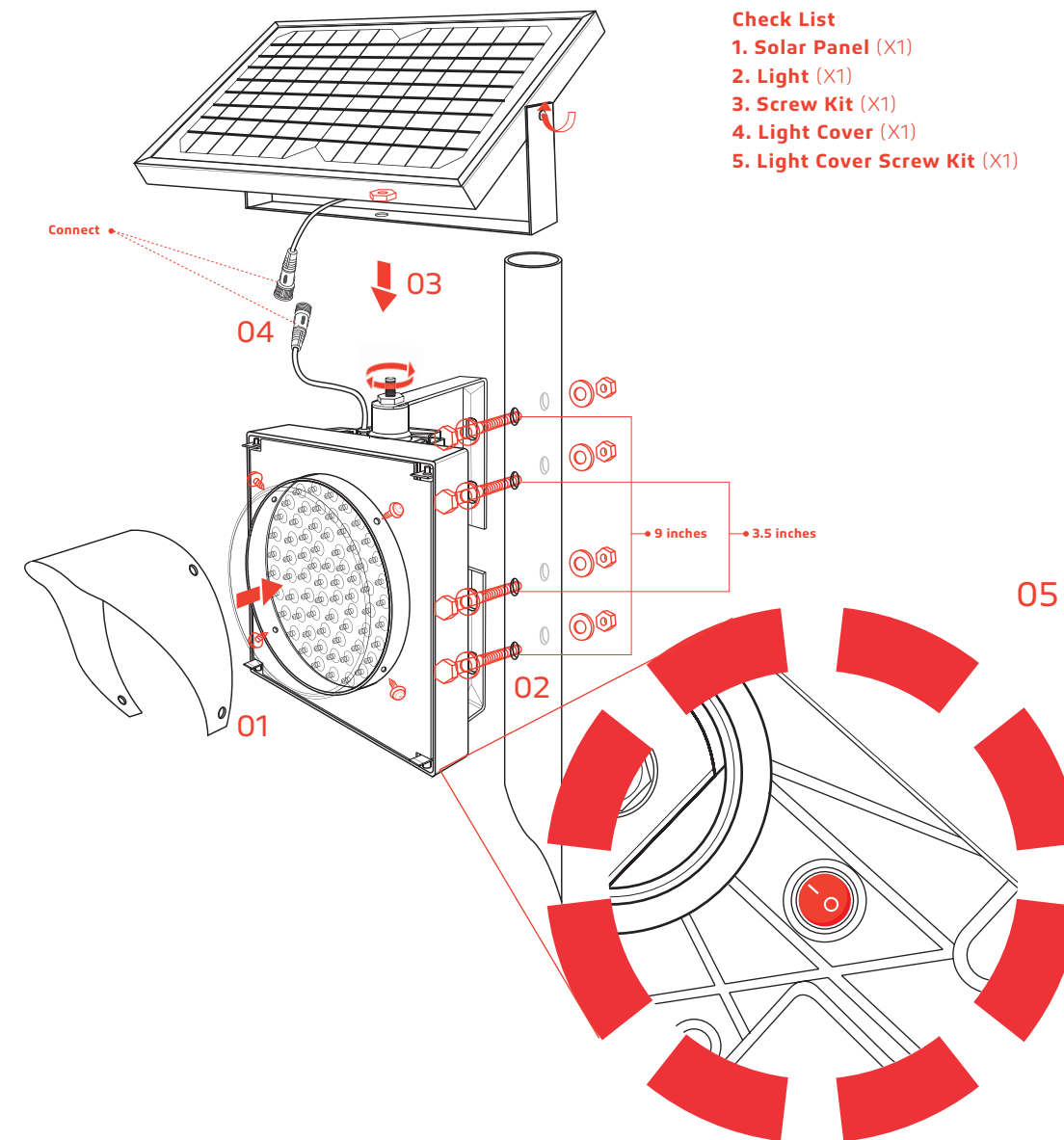


## 04. FLUX 6W / 20W Installation



- First, mount the solar panel to the pole:**
1. Use the screw kit to secure the pole mount base and the solar panel bracket to the pole.
  2. Then attach the solar panel to the bracket.
- Then, mount the fixture:**
3. Attach the bracket to the fixture.
  4. Use the screw kit to secure the fixture bracket to the pole mount base on the pole.
  5. Connect the light and solar panel cables.

## 05. BEACON Installation



- Check List**
1. Solar Panel (X1)
  2. Light (X1)
  3. Screw Kit (X1)
  4. Light Cover (X1)
  5. Light Cover Screw Kit (X1)

1. Roll up the light cover. Use the light cover screw kit to secure the cover on the light.
2. Install the light by screwing the light bracket to the pole with the screw kit.
3. Install the solar panel bracket to the light bracket, tighten to secure.
4. Connect the solar panel cable to the light cable.
5. Press the On/Off button at the bottom of the light to turn the light on.

**05**  
Press the On/Off button at the bottom of the light to turn the light on.