



ORINDA

Solar Decorative Area Light

ORINDA solar light efficiently illuminates outdoor spaces like parking lots, pathways, and parks. This solar light fixture provides 360-degree glare-free, beam-styled lighting. Powered by renewable solar energy, ORINDA is a stand-alone, off-grid pathway light with zero operational costs. ORINDA's elegant design makes it ideal for decorative commercial lighting.

The ORINDA high-powered LED solar lighting system comes complete with solar power assembly, fixture, bracket, and all mounting hardware to attach to a pole. SOLTECH can also provide a pole to meet wind load specifications.



For more information, please visit our website:
www.soltechlighting.com



APPLICATIONS

25W / 50W ORINDA Solar Decorative Area Light

The ORINDA is a complete solar system used for areas such as pathways, parking lots, landscaping, parks, schools, trails, or any remote location that have no access to conventional power.

The ORINDA fixture is an efficient decorative bell-style fixture and provides great light output. This fixture works best for applications with a mounting height of 15' to 25'.

9,000 LM Output

691 WH Battery Capacity

115W Mono Crystalline Solar Panel



FEATURES

50W ORINDA Solar Decorative Area Light



50+ Hours Max Autonomy

- 640 WH battery capacity
- Full self-charging time less than 11 hrs
- Remote control included with one-button mode settings



High Brightness, Smart Power Consumption

- Microwave motion sensor and one-key automatic dimming
- Automatically switches to 40% energy-saving mode during low battery capacity
- 180lm/, the highest efficiency in the industry



Complete Universality

- Acts as a solar flood light
- Grid Free Lighting Systems
- Zero Electric Bills
- No Trenching or Disturbing Surrounding Areas

(IAP) Intelligent Adaptive Program Battery Control Technology

In order to extend the off-grid autonomy of the ORINDA 50W under shade trees, heavy rain, and thick clouds, our controllers now integrate an adaptive smart control feature to actively track battery capacity and adjust light output accordingly. Before integrating this feature, selecting a light output percentage on the remote would yield an accurate percentage of max LED brightness. Activating the IAP, the controller actively monitors the battery and regulates the electrical current to the LEDs. The controller makes the light output of a selected percentage on the remote relative to battery capacity rather than max LED output. This smart-control feature can increase the fixture's off-grid performance by up to 40%.



Greater Energy Production

- 115W Mono Crystalline Solar Panel
- Adjustable panel angle for the fixture allows maximum solar collection and self-cleaning of the solar panel surface



Longer Life

- Grade A LifePO₄ Battery Pack, 2000+ full charging cycles
- Lumileds 5050 LED chips



Low Maintenance Design

- Field-replaceable battery functionality via quick connections
- Marine Grade Aluminum & Stainless Steel Fasteners For Harsh Environments

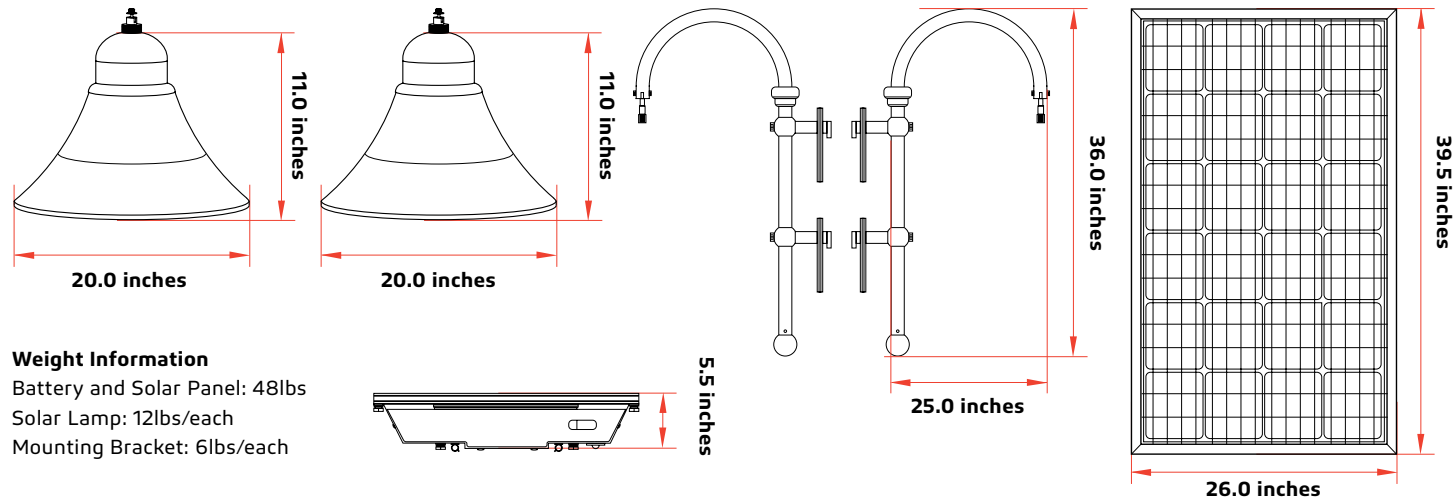
MPPT Controller

- Maximum Power Point Tracking (MPPT) is a technique for tracking and regulating the output energy from the solar panel to the battery.
- Measures the solar panel output voltage and current in real-time and continuously tracks the maximum power.
- Regulates the output voltage so that the system can always charge the battery with the maximum power.
- Significantly improves the solar system energy utilization rate, with a conversion efficiency up to 97%.
- Increases the solar system's charging efficiency by at least 20% compared to Pulse Width Modulation (PWM)

* The above parameters are for reference only. Please refer to IES and DLC documents for details. SOLTECH is continually improving its products. Specifications may change without notice.

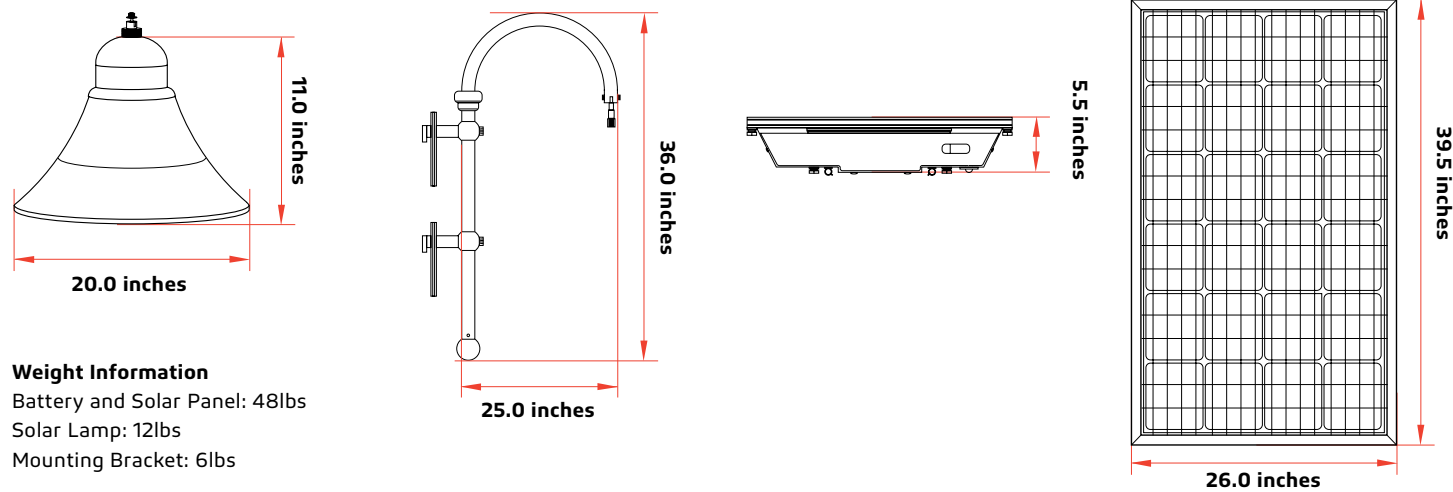
DIMENSIONAL DRAWINGS

ORINDA 25W Dual-Heads



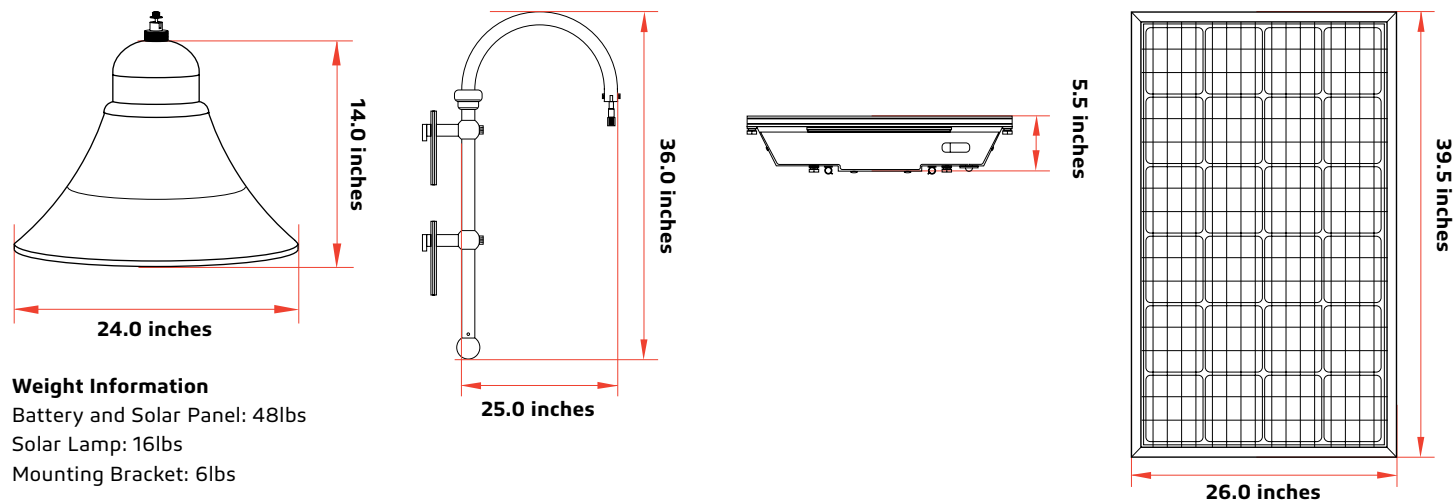
Weight Information
 Battery and Solar Panel: 48lbs
 Solar Lamp: 12lbs/each
 Mounting Bracket: 6lbs/each

ORINDA 25W Single Head



Weight Information
 Battery and Solar Panel: 48lbs
 Solar Lamp: 12lbs
 Mounting Bracket: 6lbs

ORINDA 50W Single Head



Weight Information
 Battery and Solar Panel: 48lbs
 Solar Lamp: 16lbs
 Mounting Bracket: 6lbs

SPECIFICATIONS & PERFORMANCE

25W / 50W ORINDA Solar Decorative Area Light

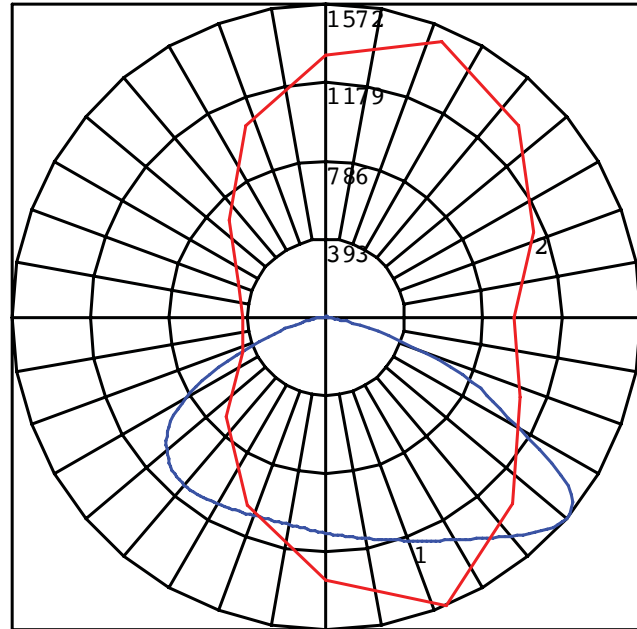
The ORINDA is a complete solar system used for areas such as pathways, parking lots, landscaping, parks, schools, trails, or any remote locations that have no access to conventional power.

SPECIFICATIONS	ORINDA 25W Dual-Heads	ORINDA 25W Single Head	ORINDA 50W
LED NOMINAL POWER	25	25	50
SOLAR PANEL	18V 115W	18V 115W	18V 115W
LIFEPO ₄ BATTERY	640WH 12.8V 50AH	640WH 12.8V 50AH	640WH 12.8V 50AH
LUMEN OUTPUT@5000K	4,500 X 2	4,500	9,000
IP RATING	IP65	IP65	IP65
CRI	CRI > 70	CRI > 70	CRI > 70
CASTING	ALUMINUM	ALUMINUM	ALUMINUM
EFFICIENCY@5000K	180 LM/W	180 LM/W	180 LM/W
LED CHIP	Lumileds 5050 (215 LM-CR>70)	Lumileds 5050 (215 LM-CR>70)	Lumileds 5050 (215 LM-CR>70)
* CHARGING TIME	11 Hrs	11 Hrs	11 Hrs
RUN TIME (@FULL POWER)	12-14 Hrs	12-14 Hrs	12-14 Hrs
OPERATION MODE	REMOTE CONTROL AND ONE-KEY SETTING	REMOTE CONTROL AND ONE-KEY SETTING	REMOTE CONTROL AND ONE-KEY SETTING
INSTALLATION HEIGHT	15 to 25 ft	15 to 25 ft	15 to 25 ft
* OPERATING TEMPERATURE	-20°C/-4°F to 122°F	-20°C/-4°F to 122°F	-20°C/-4°F to 122°F
* CHARGING TEMPERATURE	0°C/32°F to 149°F	0°C/32°F to 149°F	0°C/32°F to 149°F

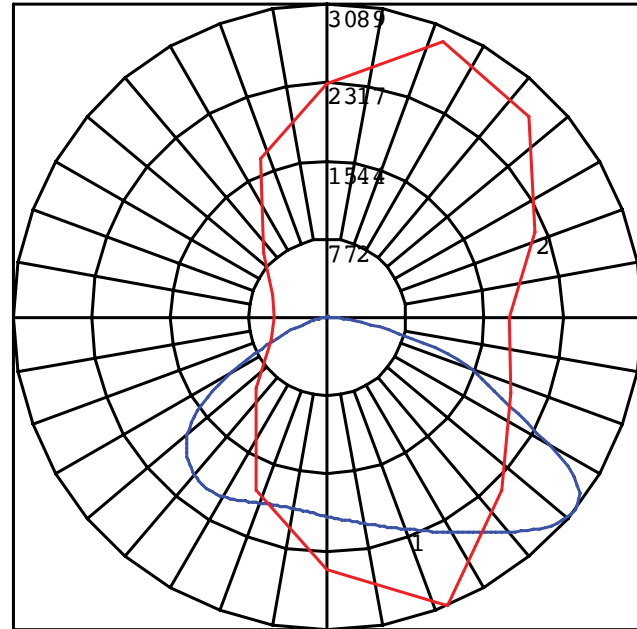
* The temperature can impact the battery's charging and normal operation. If your site's temperature is under 32°F, we advise you to use the SUNLIKE PRO model to achieve better lighting results.
 * The solar charge time data is based on 77 degree F ambient temperature with the panel pointed directly at the solar radiation. The standard radiation value is 1000W/m².

PHOTOMETRY

ORINDA 50W



ORINDA 25W Type III



ORINDA 50W Type III

PRODUCT NUMBER BUILDER

Example: **STLORN50T3SFBK**

This example product number is for ORINDA 50 watt, T3, 3,000K CCT, Slip Fitter Installation, with a black finish.

SERIES	WATTAGE	OPTIC TYPE	COLOR TEMPERATURE	MOUNTING OPTIONS	FINISH
STLORN =ORINDA	25 =25W 4,500 Lumens	T3 =TYPE III	3 =3000K	SF =SLIP FITTER	BK =BLACK
	50 =50W 9,000 Lumens		4 =4000K		GR =GREEN
	25D =25W Dual-Heads 9,000 Lumens				

- - - - -

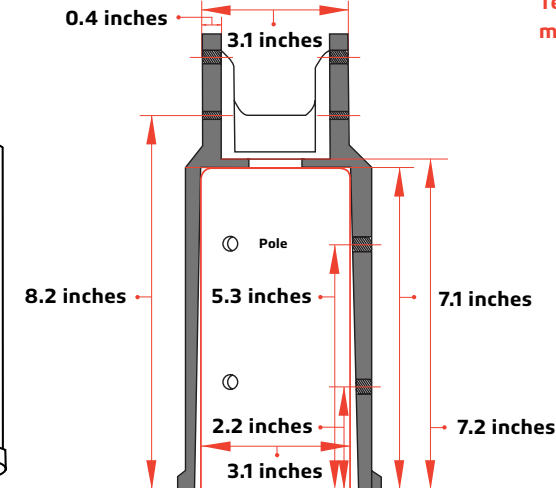
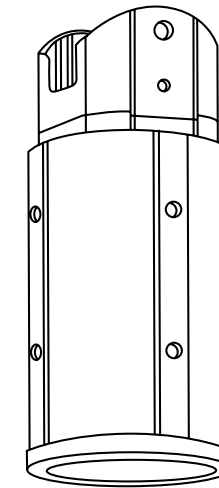
Sample Number: **STLORN50T3XXYYZZ**

Please **DO NOT** send the generic sample number directly to our salesperson. Use the information in the chart, above, to create a model number with the correct series, wattage, CCT, mounting options, and finish for the product options that you want.

INSTALLATION PROCESS

INSTALLATION ACCESSORIES—ORINDA 25W / 50W

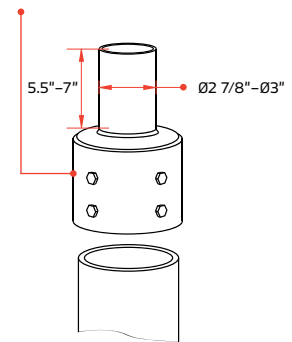
POLE MOUNT

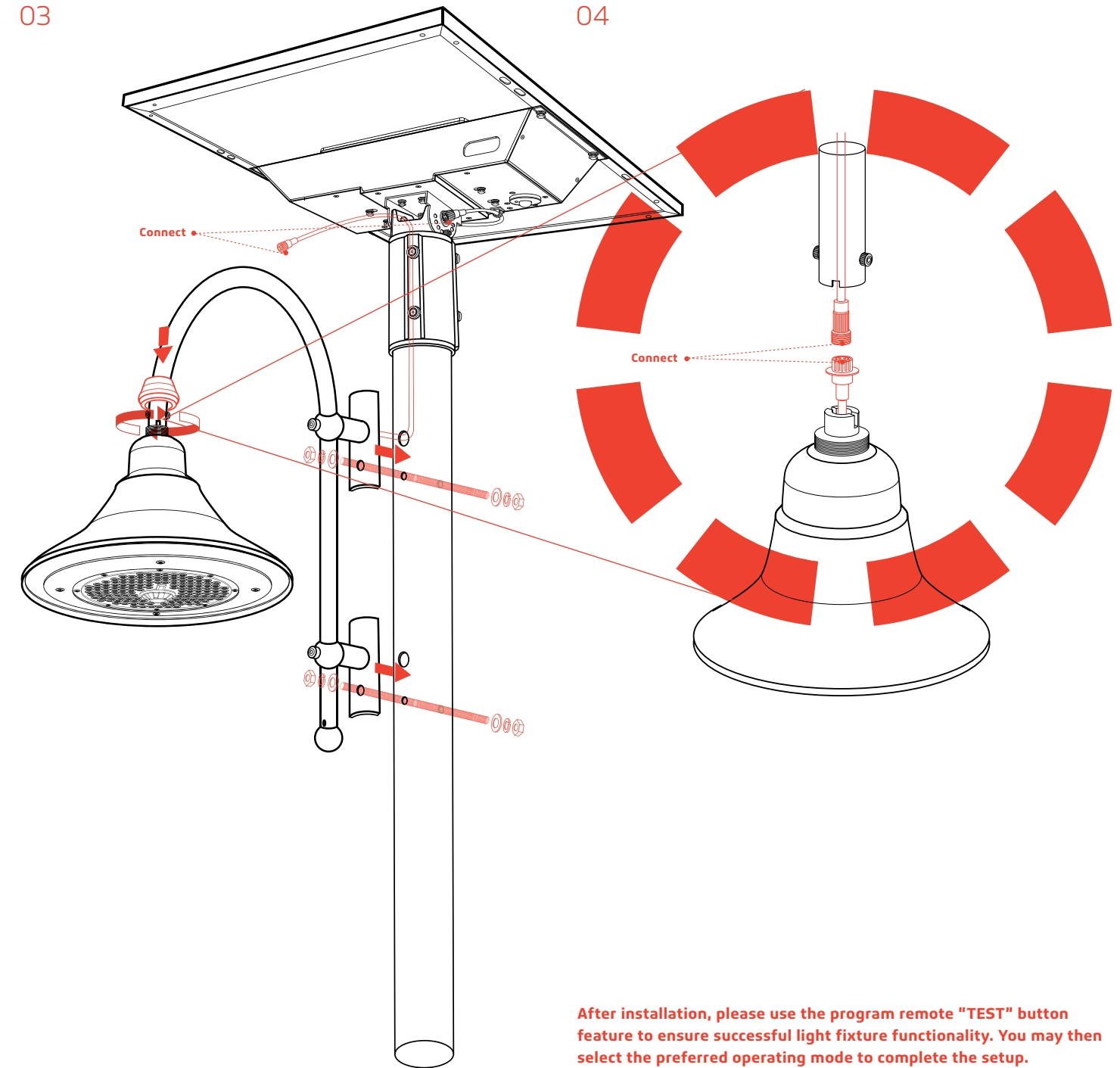
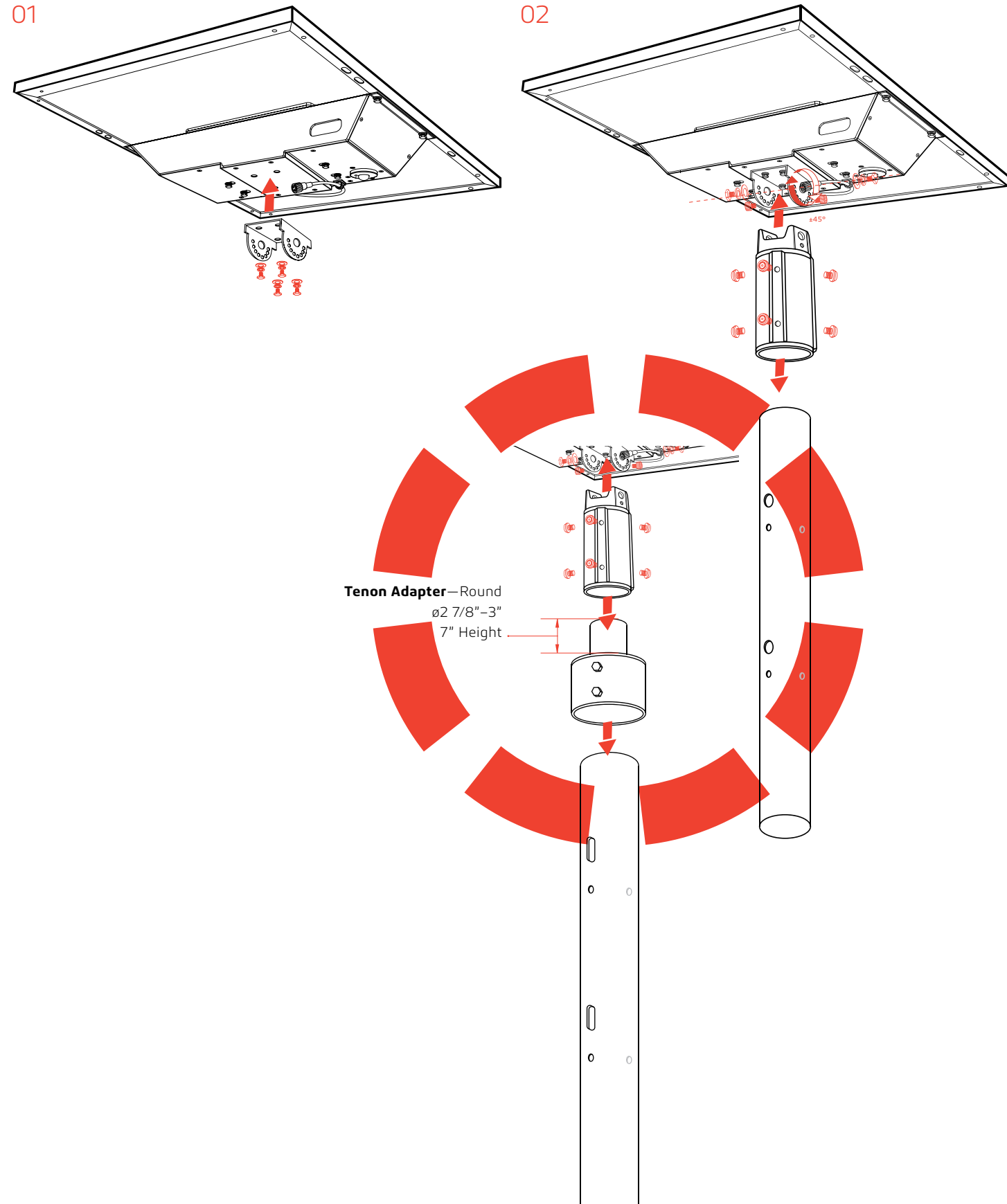


POLE TENON ADAPTER DIAMENTION

Tenon adapter IS NOT included in the package, please contact the pole manufacturer for the details.

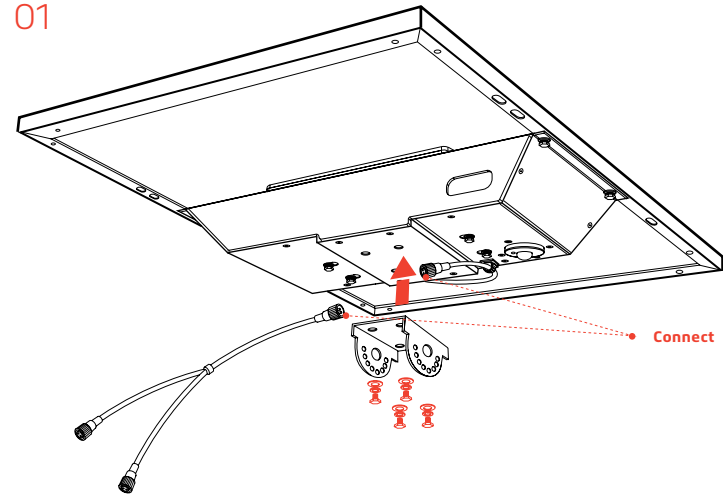
Tenon Adapter—Round



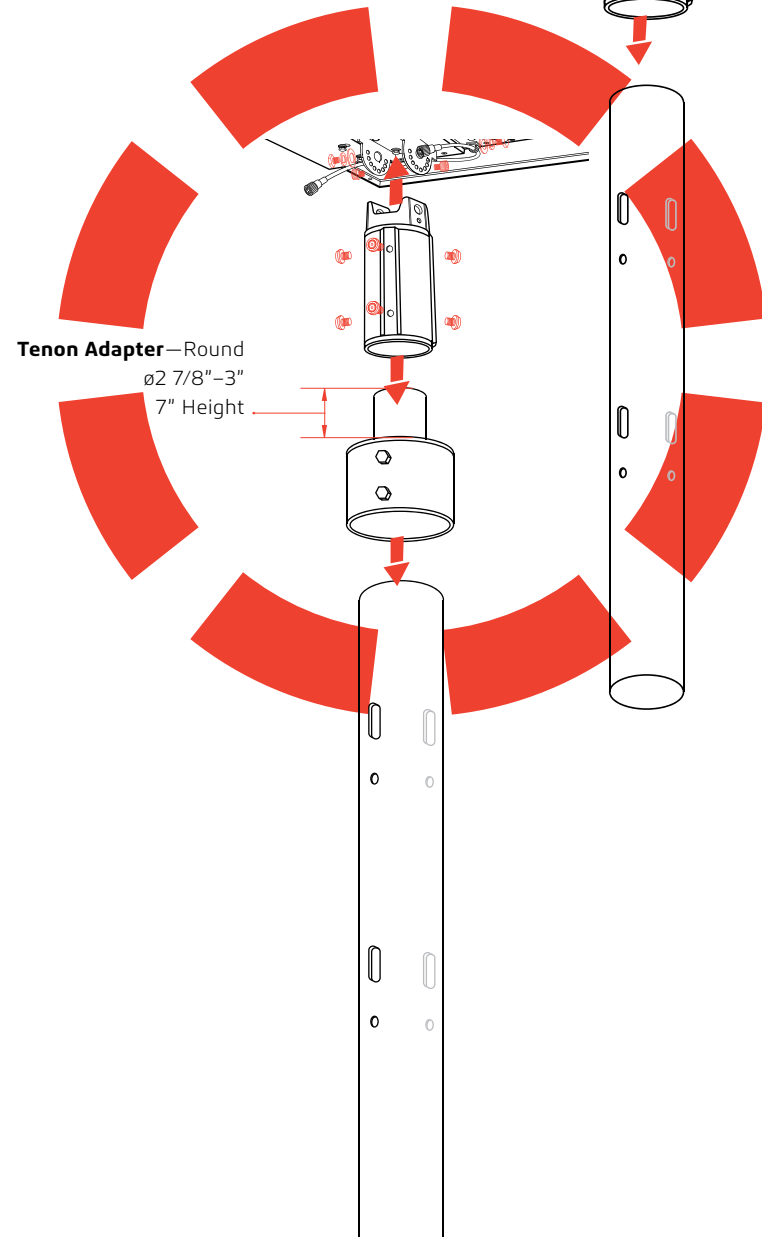
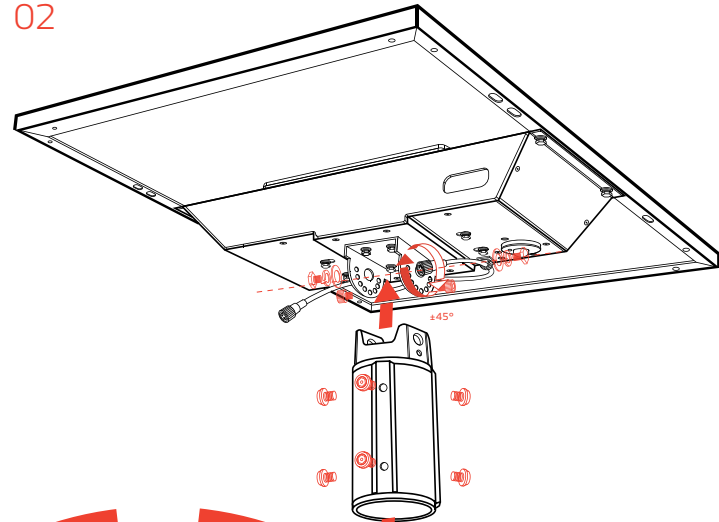


After installation, please use the program remote "TEST" button feature to ensure successful light fixture functionality. You may then select the preferred operating mode to complete the setup.

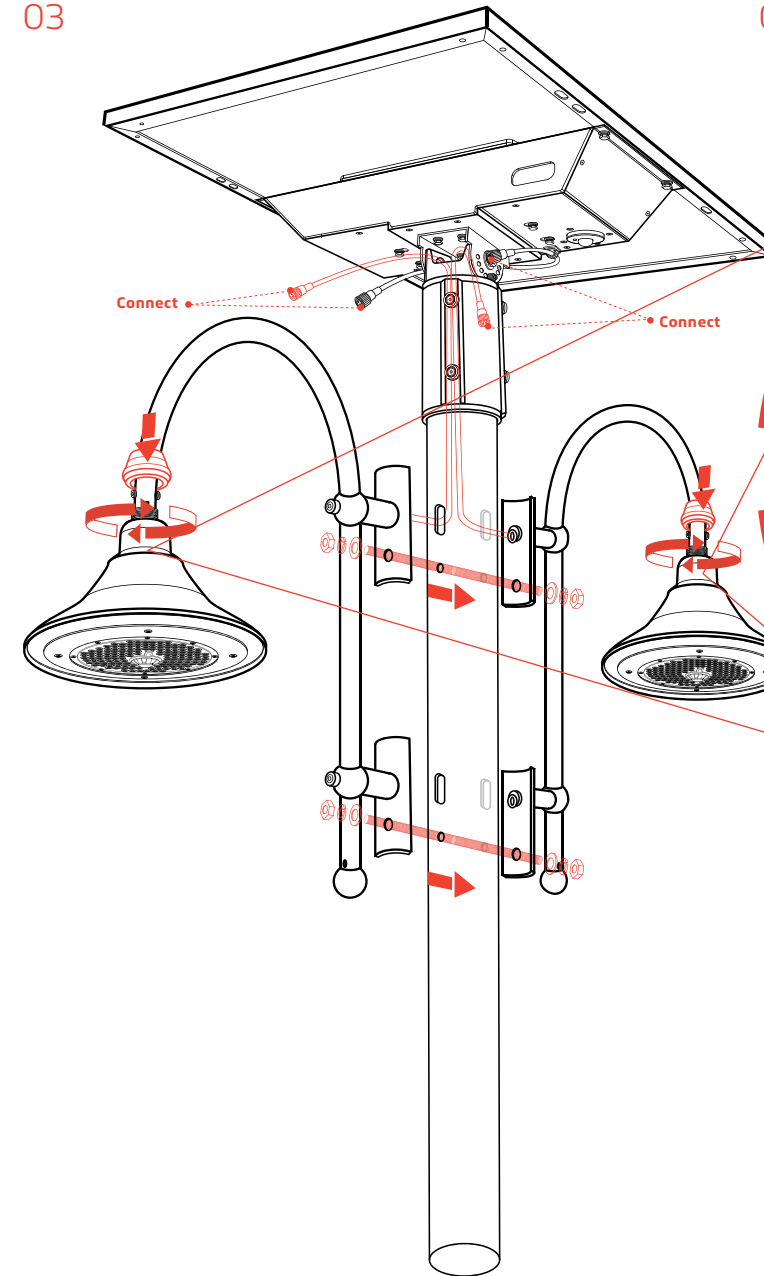
01



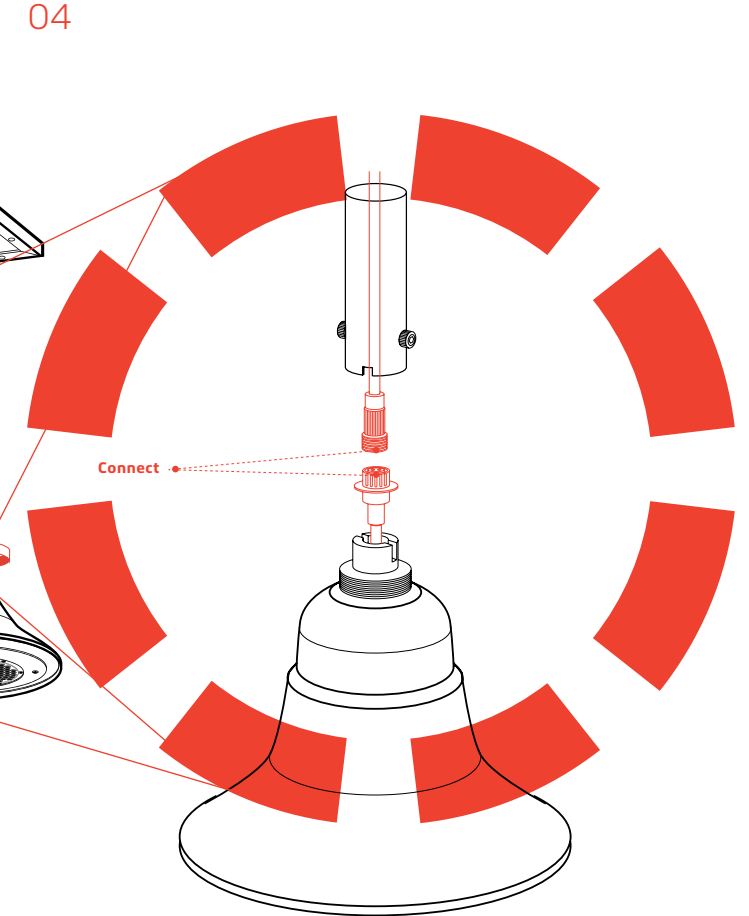
02



03



04



After installation, please use the program remote "TEST" button feature to ensure successful light fixture functionality. You may then select the preferred operating mode to complete the setup.