

BROADWAY PLUS Billboard Lights

SOLTECH's solar billboard lighting systems provide lighting for large and small billboards without the need for standard utility power. Billboards, entrance signs, building name signs and other similar items, oftentimes, are placed in locations with little or no access to the electrical grid. Connecting them to the grid involves investments of time and money, such as cabling, trenching, and permitting. SOLTECH's BROADWAY PLUS provides cost savings by eliminating the need to trench standard electric wires for installation and providing no electric bill for the life of the system.



For more information, please visit our website:
www.soltechlighting.com

APPLICATIONS

10W, 20W BROADWAY PLUS Billboard Lights

SOLTECH's BROADWAY PLUS Solar Billboard lights have an all-in-one design and come complete with a self-contained solar power assembly, sized to run the specified solar fixture wattage. Billboards, entrance signs, building name signs and other similar items, oftentimes, are placed in locations with little or no access to the electrical grid.



Centennial Village Apartments
Oak Ridge, TN
Billboard Lighting Project



Engelmann Cellars Winery
Fresno, CA
Billboard Lighting Project



Cravings Restaurant
San Antonio, TX
Billboard Lighting Project



Bagby Beer Company
Oceanside, CA
Billboard Lighting Project

FEATURES

10W, 20W BROADWAY PLUS Billboard Lights



Generates More Solar Energy

- Crystalline Solar Panel with 45 degree tilted angle design. Harvest double the energy compared to horizontal panels
- Built-in tempered glass solar panel, designed to offer self-cleaning operation between rainy and sunny days
- Extra solar panel helps to harvest more solar energy .



Integrated design

- Integrated solar panel and all-in-one design
- Aircraft grade aluminum
- Integrated smart controller provides a real dusk to dawn illuminating profile all night long with first 4 hours 100% brightness, 25% brightness till dawn



Dual-purpose Mounting Design

- Attached brackets design for thick boards installation and extended arms for thin boards mounting

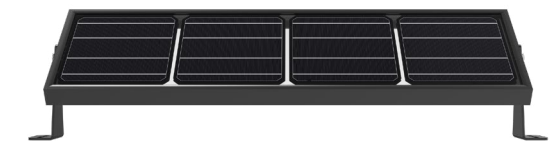
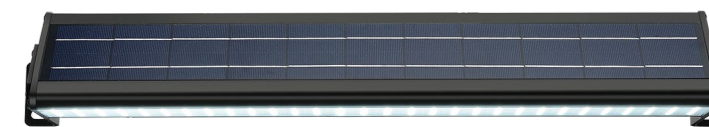


Longer Life

- LED life 50000 hours
- Easy to change modular battery pack for further lifespan extension
- OSRAM LED chips for commercial-grade performance

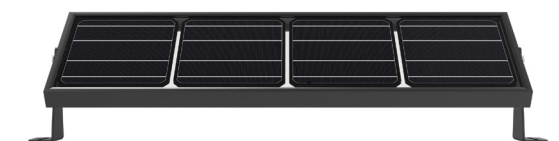
BROADWAY PLUS

10W



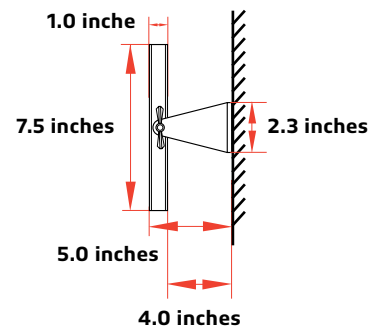
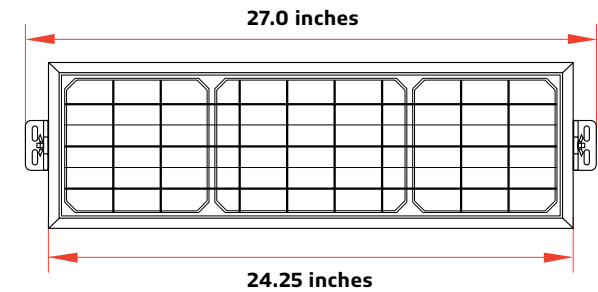
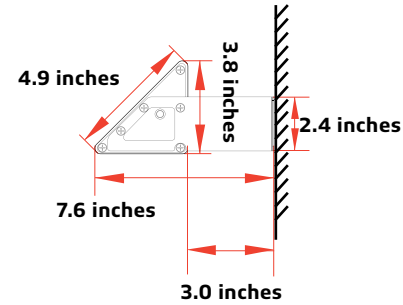
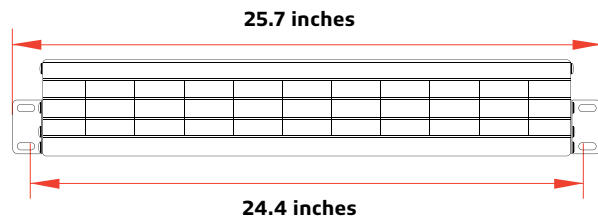
BROADWAY PLUS

20W

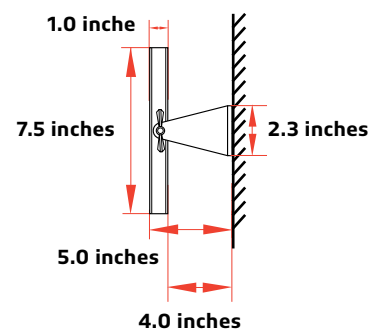
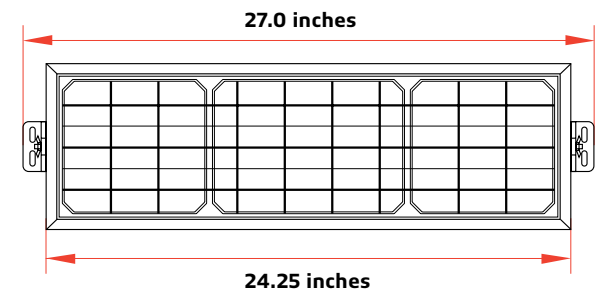
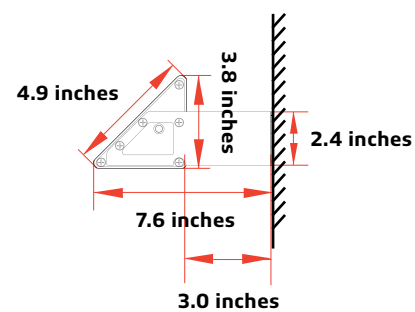
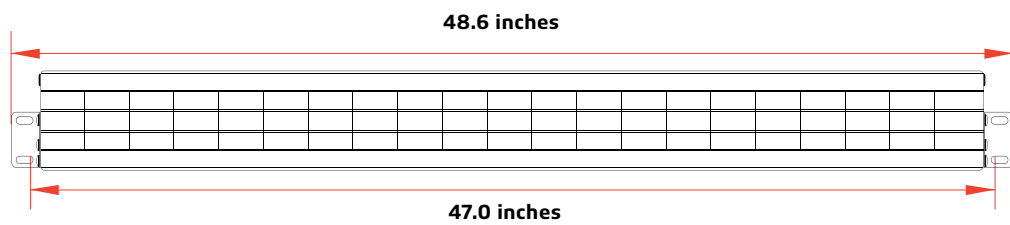


DIMENSIONAL DRAWINGS

BROADWAY PLUS 10W



BROADWAY PLUS 20W



SPECIFICATIONS & PERFORMANCE

10W, 20W BROADWAY PLUS Billboard Lights

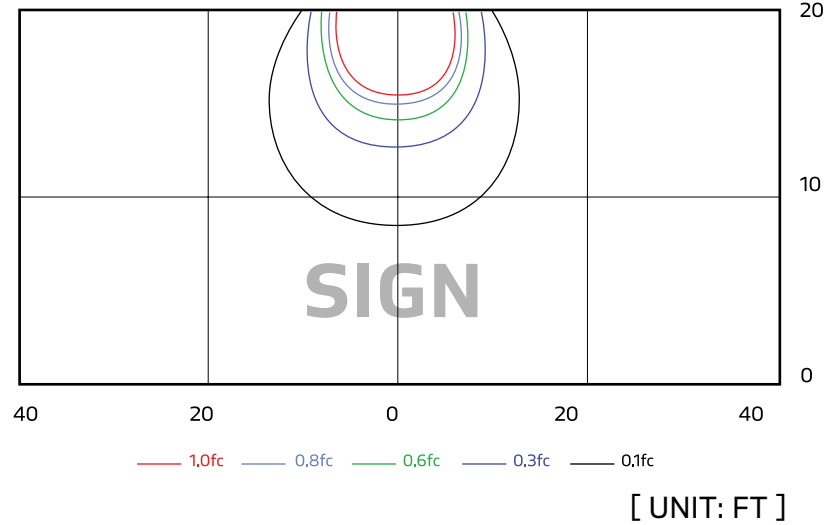
SOLTECH's BROADWAY Solar Billboard lights have an all-in-one design and come complete with a self-contained solar power assembly, sized to run the specified solar fixture wattage.

SPECIFICATIONS	BROADWAY PLUS 10W	BROADWAY PLUS 20W
LED NOMINAL POWER	10W	20W
SOLAR PANEL (Fixture)	5.5V 11W Crystalline	5.5V 17W Crystalline
SOLAR PANEL (External)	6V 25W Crystalline	6V 25W Crystalline
CABLE LENGTH	7.5 FT	7.5 FT
LITHIUM ION BATTERY	65WH 3.7V 17.6AH	130WH 3.7V 35.2AH
CCT	4,000K 5,000K	4,000K 5,000K
LUMEN OUTPUT@5000K	1,000	2,000
CRI	CRI > 70	CRI > 70
LED CHIP	OSRAM	OSRAM
EPA (External Solar Panel)	1.52	1.52
BEAM ANGLE	120°	120°
IP RATING	IP65	IP65
CASTING	PC & ALUMINUM	PC & ALUMINUM
EFFICIENCY@5000K	100 LM/W	100 LM/W
*CHARGING TIME	8-10 Hours (1000W/m ²)	8-10 Hours (1000W/m ²)
RUN TIME@Full Power	2-3 Days	2-3 Days
OPERATION MODE	First 4 hours 100% brightness, 25% brightness till dawn	First 4 hours 100% brightness, 25% brightness till dawn
*OPERATING TEMPERATURE	-20°C/-4°F to 149°F	-20°C/-4°F to 149°F
*CHARGING TEMPERATURE	-9.4°C/15°F to 113°F	-9.4°C/15°F to 113°F

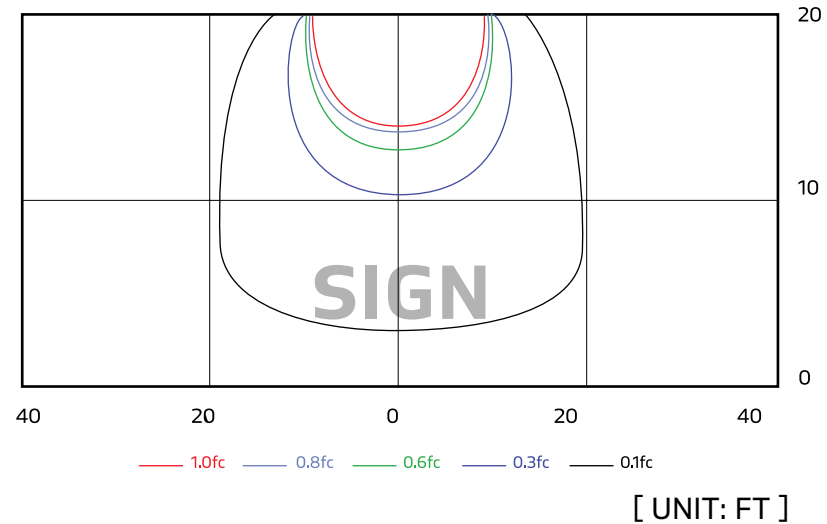
* The temperature can impact the battery's charging and normal operation.
 * The solar charge time data is based on 77 degree F ambient temperature, with the panel pointed directly at the solar radiation. The standard radiation value is 1000W/m².

PHOTOMETRY

BROADWAY PLUS 10W [MOUNTING HEIGH: 20FT]



BROADWAY PLUS 20W [MOUNTING HEIGH: 20FT]



PRODUCT NUMBER BUILDER

Example: STL-TRIPLUS104WM24

This example product number is for BROADWAY PLUS 10 watt, 4000K CCT, wall mount installation, 24 inches long.

SERIES	WATTAGE	COLOR TEMPERATURE	MOUNTING OPTIONS	SIZE
STL-TRIPLUS =BROADWAY	10 =10W 1000 LUMENS 20 =20W 2000 LUMENS	4 =4000K 5 =5000K	WM =WALL MOUNT LAB =LONG ARM MOUNT	24 =24 INCHES <small>(only for BROADWAY PLUS 10W)</small> 48 =48 INCHES <small>(only for BROADWAY PLUS 20W)</small>

- - - -

Sample Number: STL-TRIPLUS10XYZZ

Please **DO NOT** send the generic sample number directly to our salesperson. Use the information in the chart, above, to create a model number with the correct series, wattage, CCT, mounting options, and finish for the product options that you want.

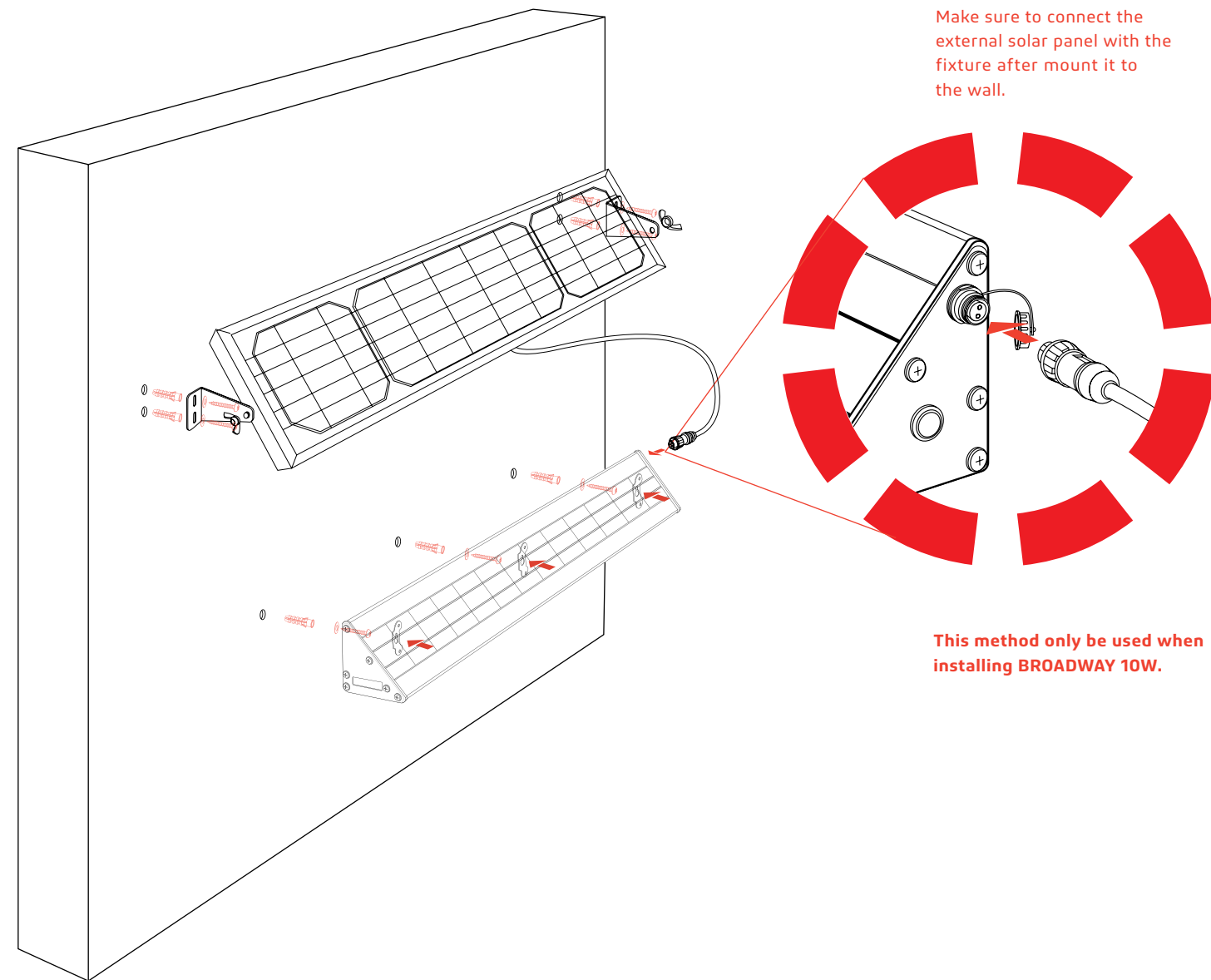
QUICK SHIP PRODUCT

- STL-TRIPLUS104WM24
- STL-TRIPLUS104LAM24
- STL-TRIPLUS204WM48
- STL-TRIPLUS204LAM48

MOUNTING ACCESSORIES (10W, 20W)



WALL MOUNT



ARM WALL MOUNT

