



# BROADWAY PLUS 10W 20W

CATALOG		COMMENTS
PROJECT		
PREPARED BY		
DATE		

### APPLICATIONS

SOLTECH's BROADWAY PLUS Solar Billboard lights have an all-in-one design and come complete with a self-contained solar power assembly, sized to run the specified solar fixture wattage. Billboards, entrance signs, building name signs and other similar items, oftentimes, are placed in locations with little or no access to the electrical grid.

### DESCRIPTION

SOLTECH's solar billboard lighting systems provide lighting for large and small billboards without the need for standard utility power. Billboards, entrance signs, building name signs and other similar items, oftentimes, are placed in locations with little or no access to the electrical grid. Connecting them to the grid involves investments of time and money, such as cabling, trenching, and permitting. SOLTECH's BROADWAY PLUS provides cost savings by eliminating the need to trench standard electric wires for installation and providing no electric bill for the life of the system.

### CERTIFICATION DATA



### ORDERING INFORMATION

SERIES	WATTAGE	COLOR TEMPERATURE	MOUNTING OPTIONS	SIZE
STL-TRIPLUS =BROADWAY PLUS	10=10W 1000 Lumens	3=3000K	WM=WALL MOUNT	24=24 INCHES
	20=20W 2000 Lumens	4=4000K 5=5000K	LAM=LONG ARM MOUNT	48=48 INCHES

-  -  -  -

### SPECIFICATION FEATURES



#### Generates More Solar Energy

- Crystalline Solar Panel with 45 degree tilted angle design. Harvest double the energy compared to horizontal panels
- Built-in tempered glass solar panel, designed to offer self-cleaning operation between rainy and sunny days



#### Longer Life

- LED life 50000 hours
- Easy to change modular battery pack for further lifespan extension
- OSRAM LED chips for commercial-grade performance



#### Dual-purpose Mounting Design

- Attached brackets design for thick boards installation and extended arms for thin boards mounting



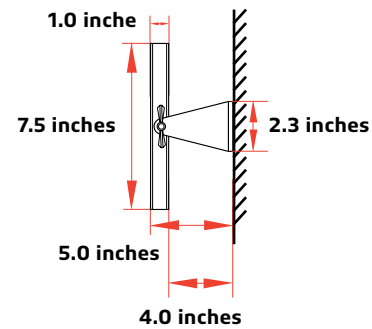
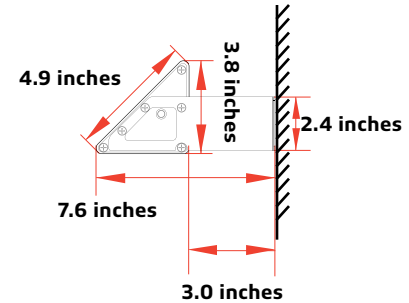
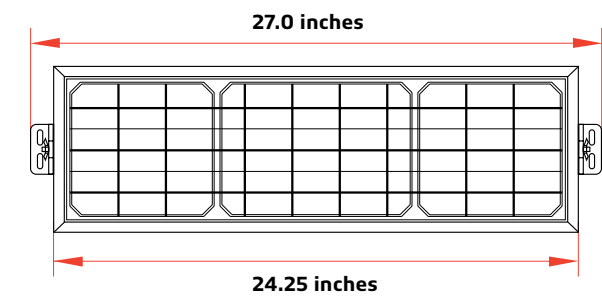
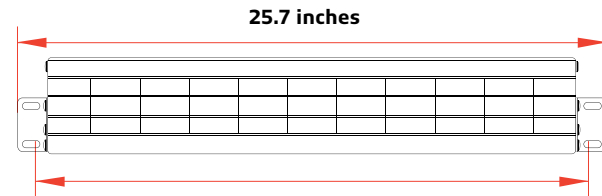
#### Integrated design

- Integrated solar panel and all-in-one design
- Aircraft grade aluminum
- Integrated smart controller provides a real dusk to dawn illuminating profile all night long with first 4 hours 100% brightness, 25% brightness till dawn

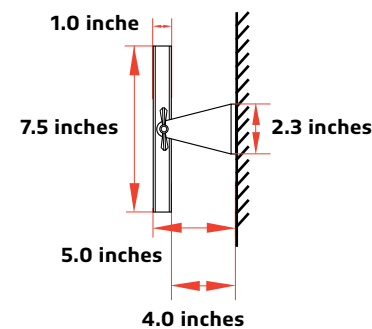
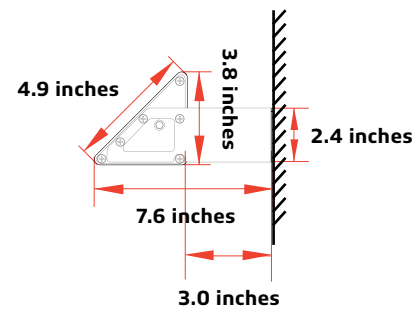
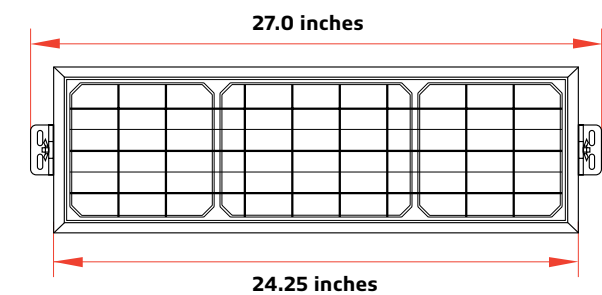
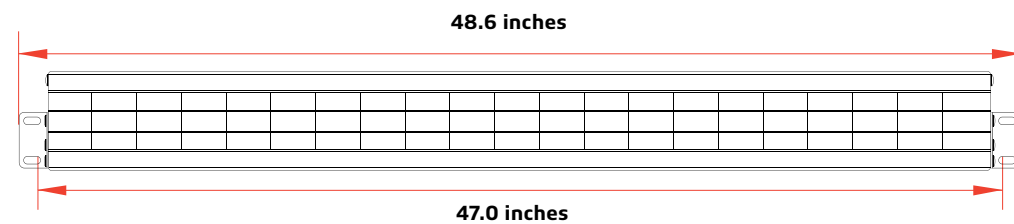
## BROADWAY PLUS 10W 20W

### PRODUCT SIZE

#### BROADWAY PLUS 10W



#### BROADWAY PLUS 20W



CATALOG	PROJECT	COMMENTS

## BROADWAY PLUS 10W 20W

### SPECIFICATIONS

CATALOG	PROJECT	COMMENTS

Specifications	BROADWAY PLUS 10W	BROADWAY PLUS 20W
LED Nominal Power	10W	20W
Solar Panel (Fixture)	5.5V 11W crystalline	5.5V 17W crystalline
Solar Panel (External)	6V 25W crystalline	6V 25W crystalline
Cable Length	7.5ft	7.5ft
Lithium Ion Battery	3.7V 17.6AH	3.7V 35.2AH
CCT	4,000K, 5,000K	4,000K, 5,000K
Lumen Output@5000K	1,000	2,000
CRI	> 70	> 70
LED Chip	OSRAM	OSRAM
EPA (External Solar Panel)	1.52	1.52
Beam Angle	120°	120°
Waterproof Rate	IP65	IP65
Casting	PC & Aluminum	PC & Aluminum
Efficiency@5000K	100 lm/W	100 lm/W
* Charging Time	3-5 hrs (1000W/m <sup>2</sup> )	3-5 hrs (1000W/m <sup>2</sup> )
Run Time (@Full Power)	2-3 Days	2-3 Days
Operation Mode	First 4 hours 100% brightness, 25% brightness till dawn	First 4 hours 100% brightness, 25% brightness till dawn
* Operating Temperature	-20°C/-4°F to 149°F	-20°C/-4°F to 149°F
* Charging Temperature	-9.4°C/15°F to 113°F	-9.4°C/15°F to 113°F

\* The temperature can impact the battery's charging and normal operation.

\* The solar charge time data is base on 77 degree F ambient temperature with the panel pointed directly at the solar radiation. The standard radiation value is 1000W/m<sup>2</sup>.

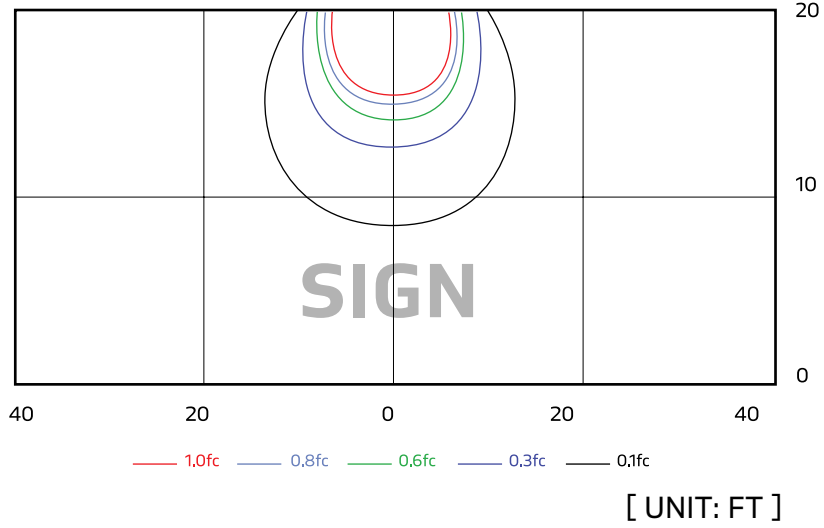


**BROADWAY PLUS 10W 20W**

CATALOG	PROJECT	COMMENTS

IES / BEAM

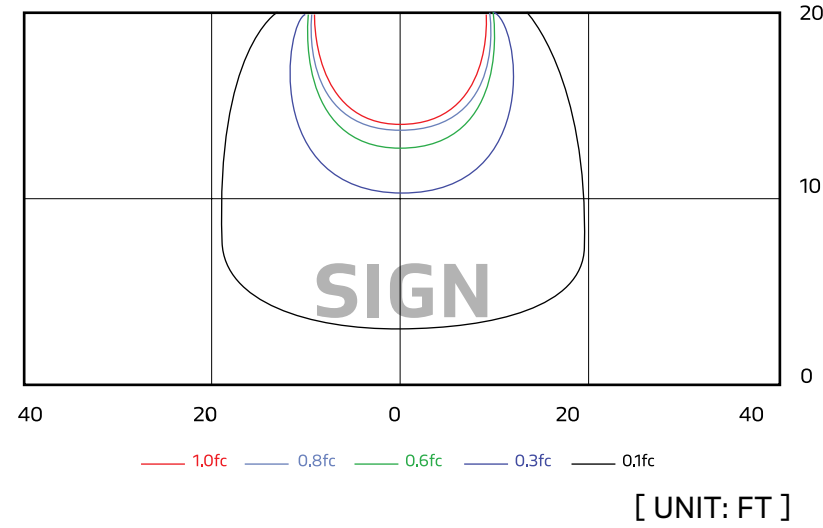
**BROADWAY PLUS 10W [ MOUNTING HEIGH: 20FT ]**



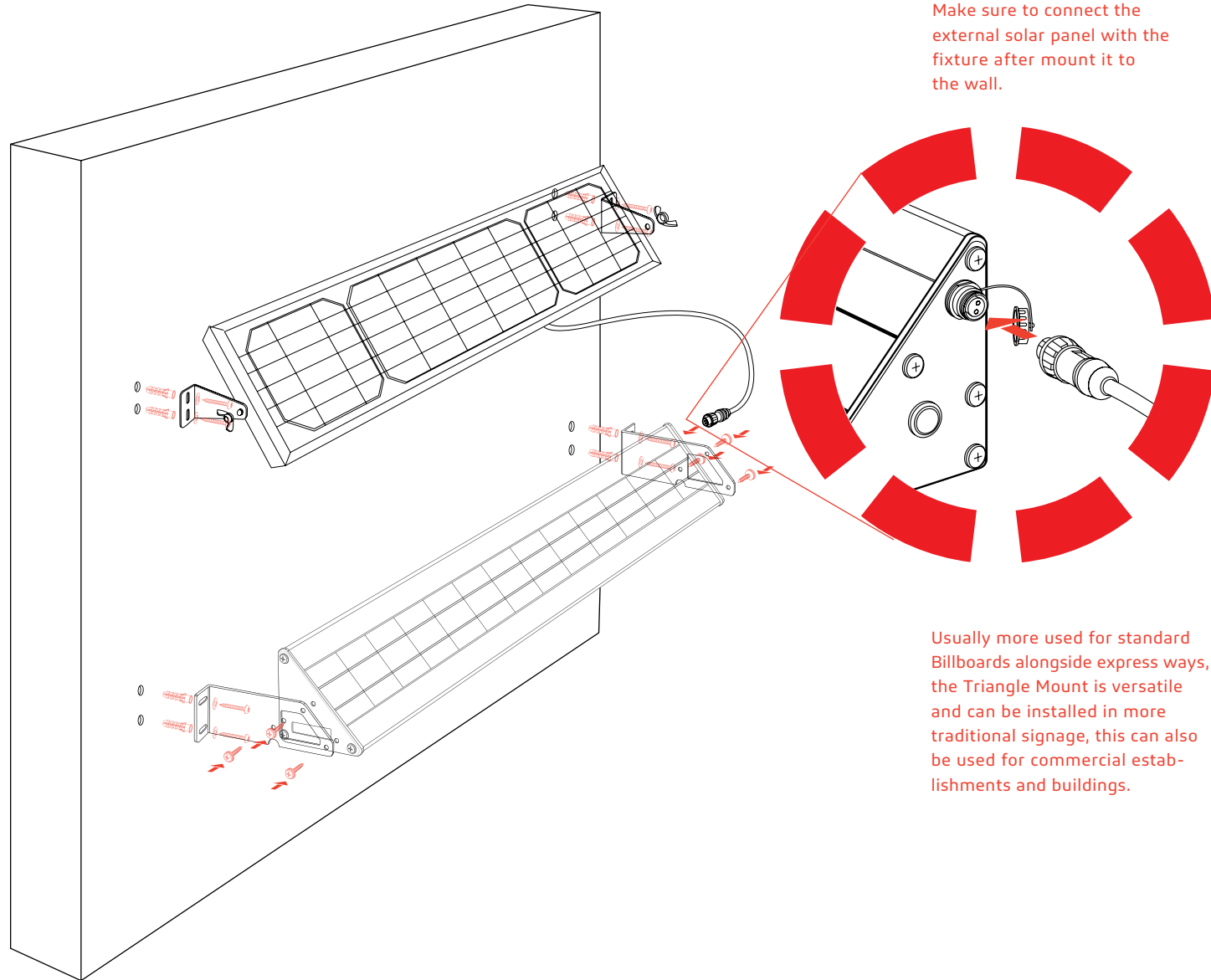
**BROADWAY PLUS 10W 20W**

CATALOG	PROJECT	COMMENTS

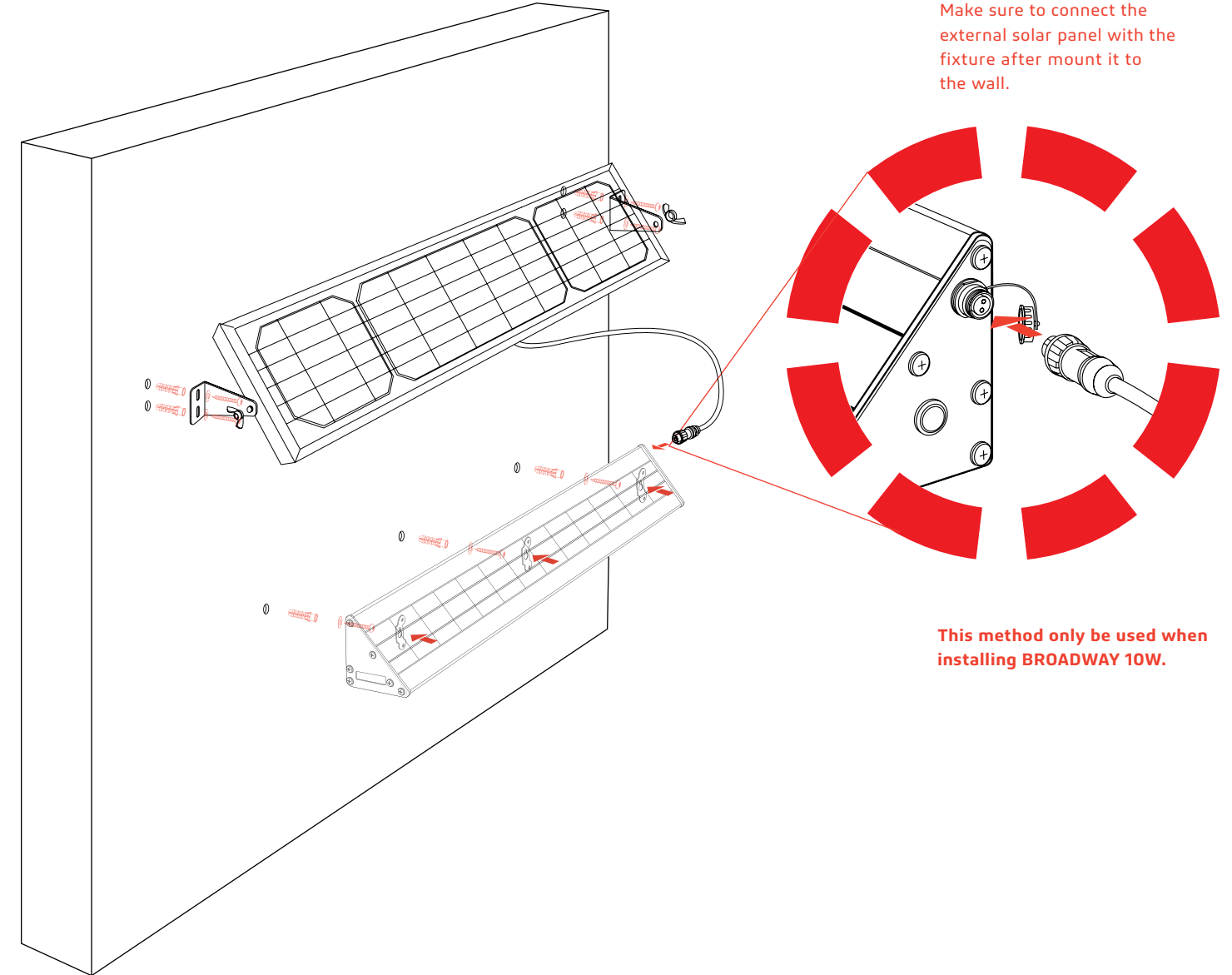
**BROADWAY PLUS 20W [ MOUNTING HEIGH: 20FT ]**



CATALOG		COMMENTS
PROJECT		
PREPARED BY		
DATE		

**INSTALLATION**  
**ARM WALL MOUNT**


CATALOG		COMMENTS
PROJECT		
PREPARED BY		
DATE		

**WALL MOUNT**




# BROADWAY PLUS 10W 20W

### WARRANTY

**BROADWAY PLUS products are covered by a 3 year limited warranty. SOLTECH urban light warrants to the original purchaser that this product is free from defects in materials and workmanship for the period of 3 years from date of purchase. To obtain warranty service please contact your local distributor or sales rep for further instruction.**

CATALOG		COMMENTS
PROJECT		
PREPARED BY		
DATE		



1460 Park Avenue.  
Emeryville, CA 94608 USA

[www.soltechlighting.com](http://www.soltechlighting.com)

*SOLTECH LLC reserves the right to update all product data sheets at any time. Consult SOLTECH marketing specialists for publication updates at [hello@soltechlighting.com](mailto:hello@soltechlighting.com)*

*Copyright©2018–2024 SOLTECH LLC,  
All Rights Reserved.*