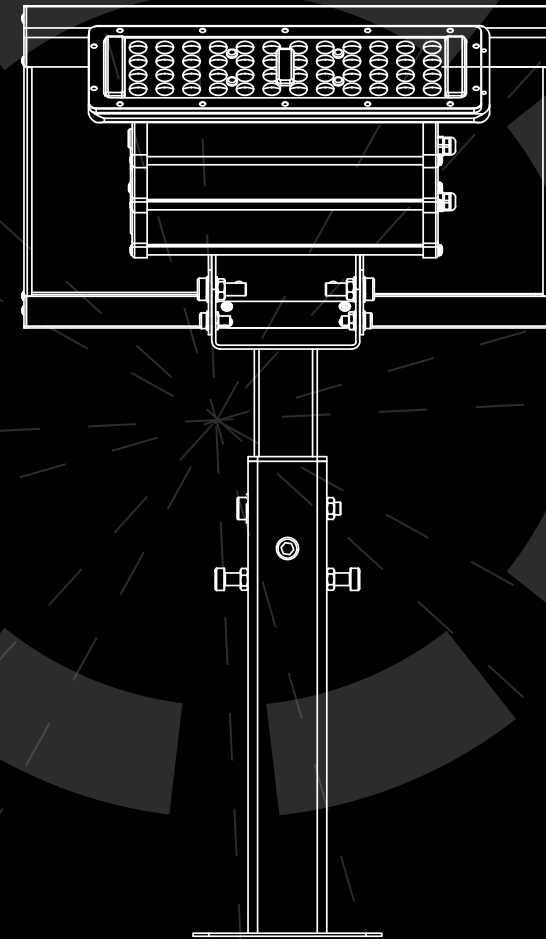


LD BRO
STATES



FOCUS

Sign Lights

FOCUS features an all-in-one design. The solar panel and battery are built with the hinged LED module as one complete system. There is no need for an extra power source, which eliminates the need for trenching, wiring, and electricity costs. Ideal for signage, billboards, landscaping, and architectural features. The fixtures will turn on at night, automatically, staying at 100% power for 4 hours (highest activity period) and then they dim down to 25%, for the rest of the night. FOCUS will bring security and sustainability with no electric bill and low maintenance costs.



For more information, please visit our website:
www.soltechlighting.com

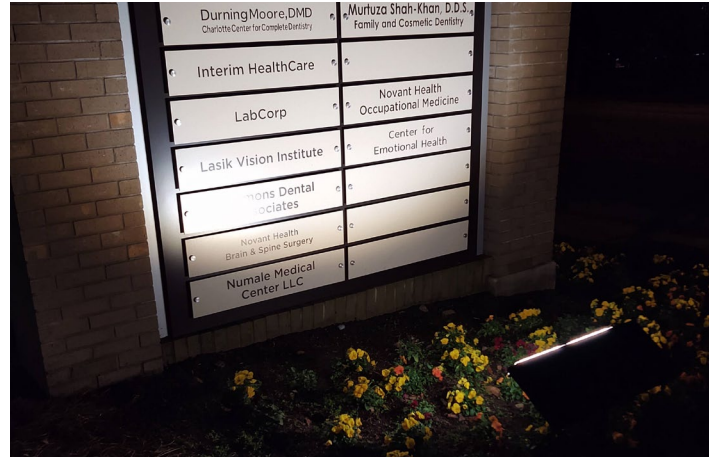
APPLICATIONS

10W, 20W **FOCUS** Sign Lights

SOLTECH solar signage lighting FOCUS has an all-in-one design and comes complete with a self-contained solar power assembly sized to run the specified solar light fixture. Install FOCUS at businesses, stores, schools and community signs. FOCUS will bring security and sustainability, with no electric bill and low maintenance costs.



Fieldbrook Estates Community
California, USA
Sign Lighting Project



Charlotte Medical Plaza II
Charlotte, NC
Sign Lighting Project



Smartech Electrical Inc.
Chestertown, MD
Sign Lighting Project

FEATURES

10W, 20W **FOCUS** Sign Lights



Generates More Solar Energy

- Crystalline Solar Panel with 45 degree tilted angle design. Produces double the energy compared to horizontal panels
- Built-in tempered glass solar panel, designed to offer self-cleaning operation between rainy and sunny days



Adjustable LED Module Design

- The hinged LED module with solar panel is adjustable to aim at the target object
- The solar panel blocks most glare for observer eye comfort



Longer Life

- LED life 50000 hours
- Easy to change modular battery pack for further extend product life
- Integrated Smart controller provides true dusk to dawn operation, with first 4-hours at full brightness, followed by 25% until dawn



Heavy Duty and Flexible Base Design

- A commercial-grade steel base adjusts the height of the telescopic mount to ensure the fixture is at the right illumination height

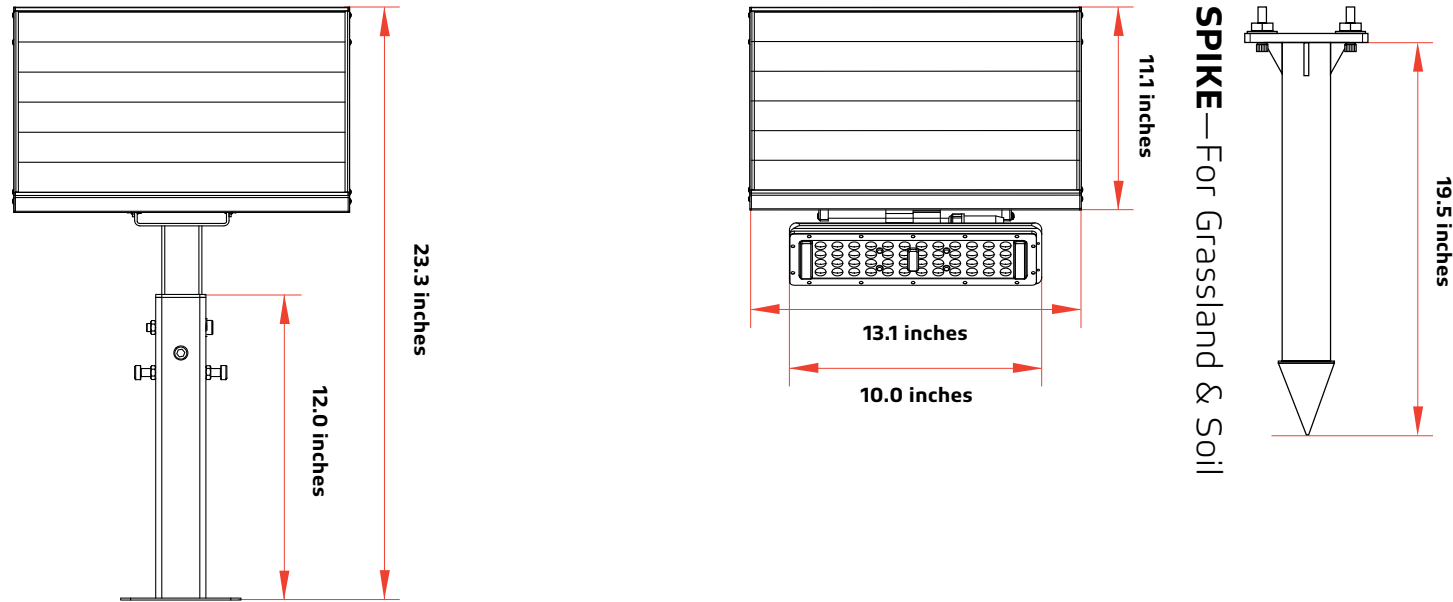
FOCUS
10W



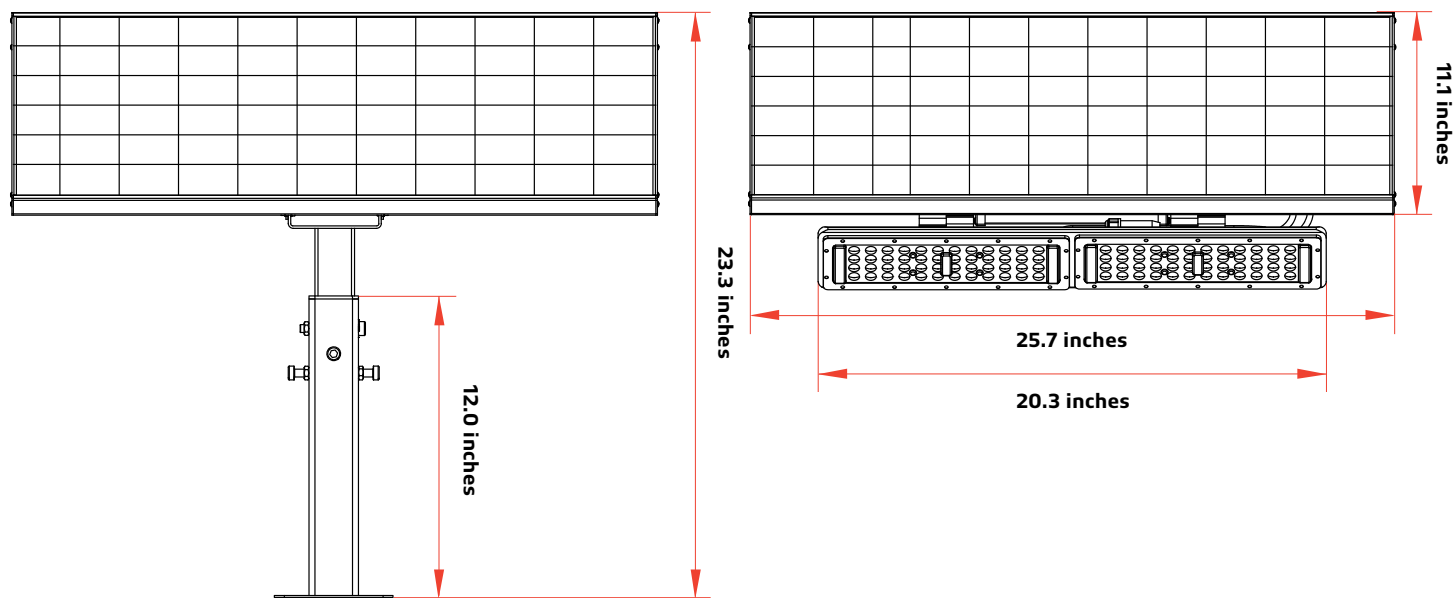
FOCUS
20W

DIMENSIONAL DRAWINGS

FOCUS 10W



FOCUS 20W



SPECIFICATIONS & PERFORMANCE

10W, 20W FOCUS Sign Lights

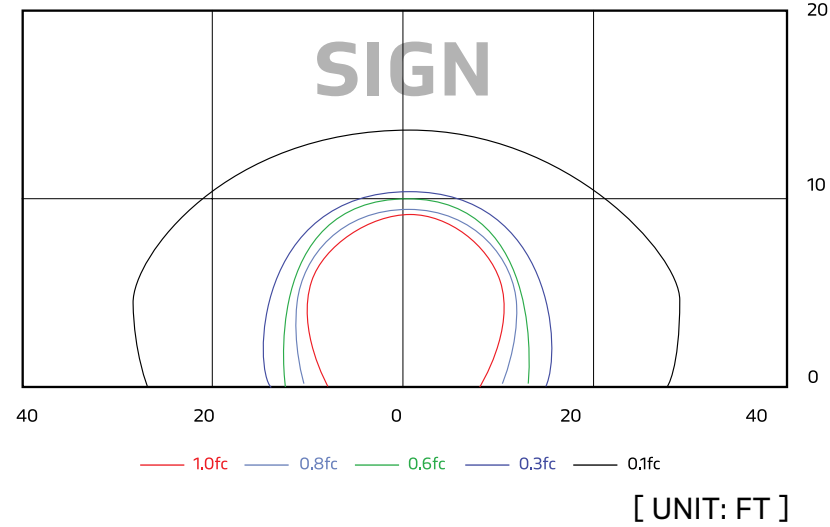
With the versatility to shine from any angle upwards, the FOCUS is a versatile off-grid fixture to provide exceptional performance in your project.

SPECIFICATIONS	FOCUS 10W	FOCUS 20W
LED NOMINAL POWER	10W	20W
SOLAR PANEL	12V 13W	12V 26W
LITHIUM ION BATTERY	74WH 7.4V 10AH	148WH 7.4V 20AH
BEAM ANGLE	50° X 80°	50° X 80°
LUMEN OUTPUT@5000K	1,000	2,000
IP RATING	IP65	IP65
CRI	CRI > 70	CRI > 70
CASTING	PC & ALUMINUM	PC & ALUMINUM
EFFICIENCY@5000K	100 LM/W	100 LM/W
LED CHIP	OSRAM	OSRAM
* CHARGING TIME	8-10 Hours (1000W/m ²)	8-10 Hours (1000W/m ²)
RUN TIME	2-3 Days	2-3 Days
OPERATION MODE	First 4 hours 100% brightness, 25% brightness till dawn	First 4 hours 100% brightness, 25% brightness till dawn
* OPERATING TEMPERATURE	-20°C/-4°F to 149°F	-20°C/-4°F to 149°F
* CHARGING TEMPERATURE	0°C/32°F to 113°F	0°C/32°F to 113°F

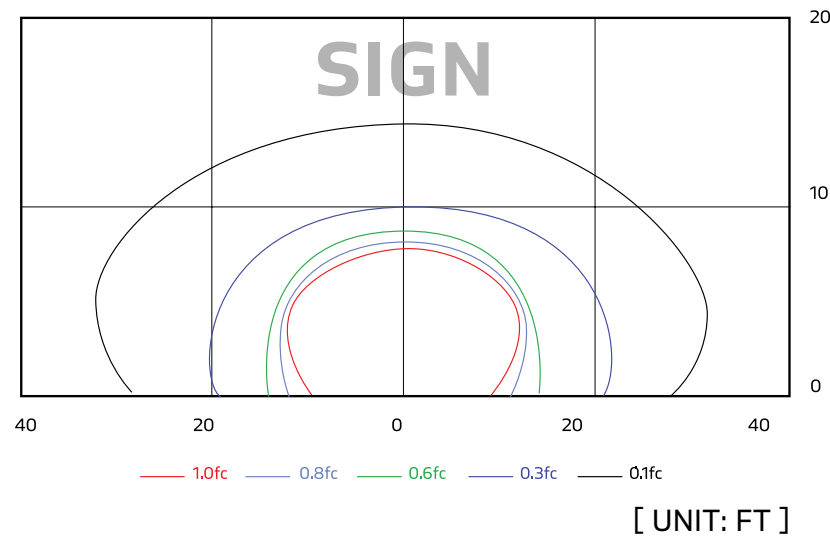
* The temperature can impact the battery's charging and normal operation.
 * The solar charge time data is based on 77 degree F ambient temperature, with the panel pointed directly at the solar radiation. The standard radiation value is 1000W/m².

PHOTOMETRY

FOCUS 10W [MOUNTING DISTANCE TO SIGN: 4FT]



FOCUS 20W [MOUNTING DISTANCE TO SIGN: 4FT]



PRODUCT NUMBER BUILDER

Example: STL-JUP1045T-13

This example product number is for FOCUS 10 watt, 4000K CCT, ground mount installation, with 13 inches solar board.

SERIES	WATTAGE	MOUNTING OPTIONS	SIZE
STL-JUP=FOCUS	10=10W 1000 LUMENS 20=20W 2000 LUMENS	ST=GROUND MOUNT	13=13 INCHES 26=26 INCHES

- - -

Sample Number: STL-JUP10XYY-ZZ

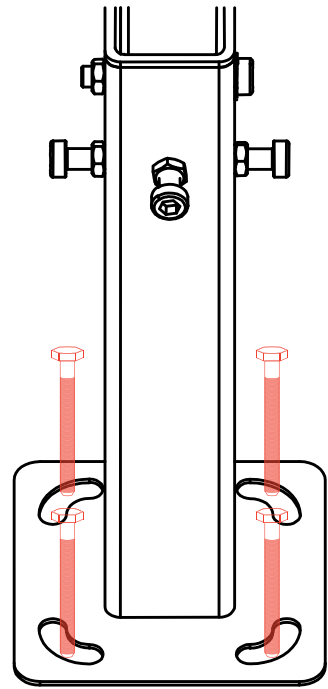
Please **DO NOT** send the generic sample number directly to our salesperson. Use the information in the chart, above, to create a model number with the correct series, wattage, CCT, mounting options, and finish for the product options that you want.

MOUNTING ACCESSORIES (10W, 20W)

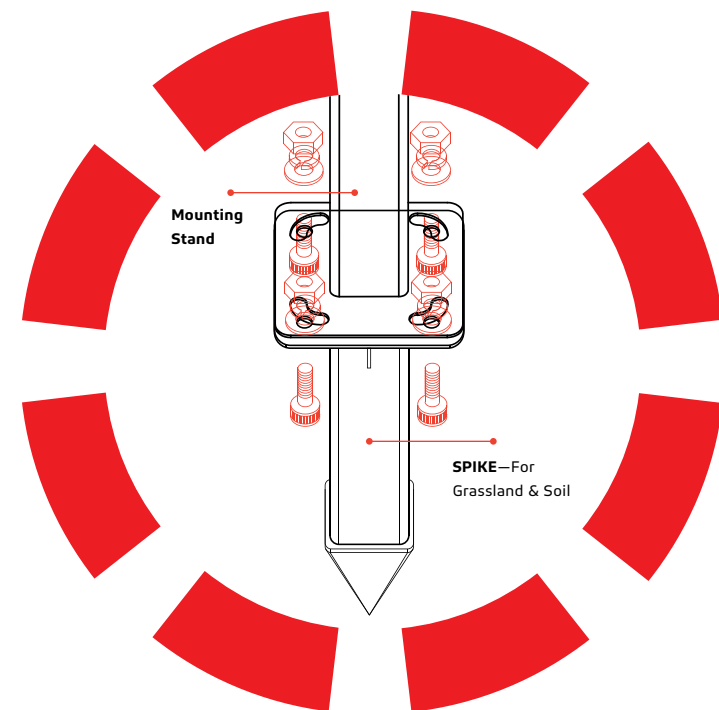


GROUND MOUNT

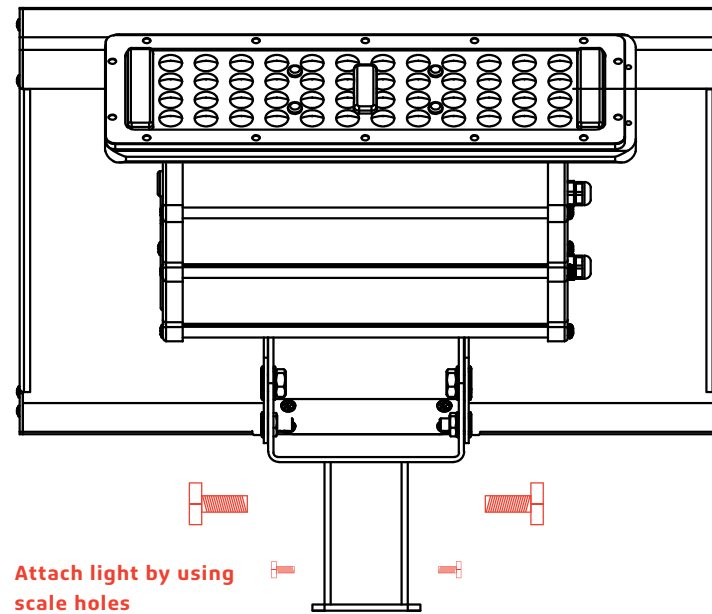
01



Secure Mounting
For signage near the ground, the FOCUS can use a drill installation into concrete, to create a secure, tightly bolted fixture.



02



Attach light by using scale holes

GROUND MOUNT—For Grassland & Soil

If you want to install the FOCUS on grassland and soil, you need **SPIKE** accessory.

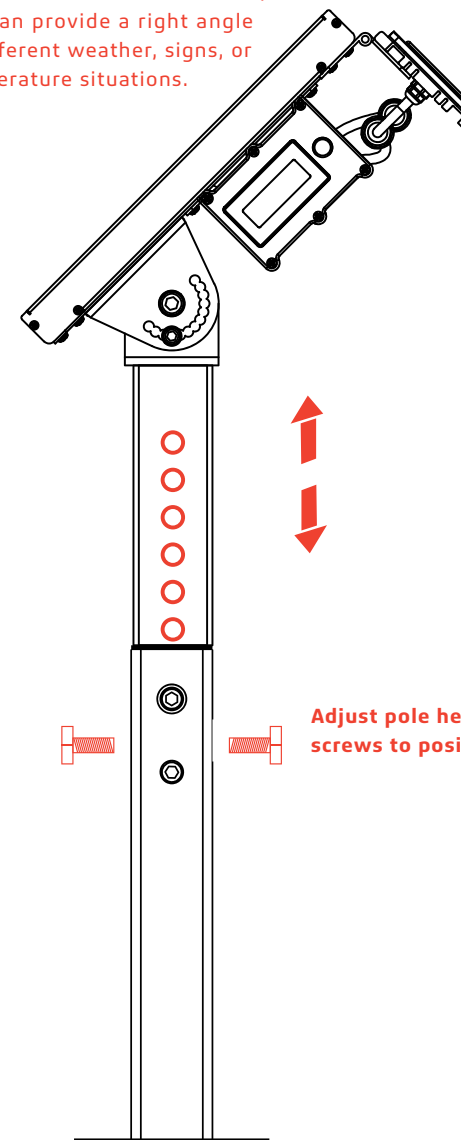
1. Attach the **SPIKE** to the **Mounting Stand** and secure with four screws.
2. Press it into the grassland or soil.

The FOCUS packaging does not include the spike, please place order separately.

03

THE RIGHT ANGLE

You can adjust the angles of your FOCUS solar light, ensuring that no matter the installation, you can provide a right angle in different weather, signs, or temperature situations.

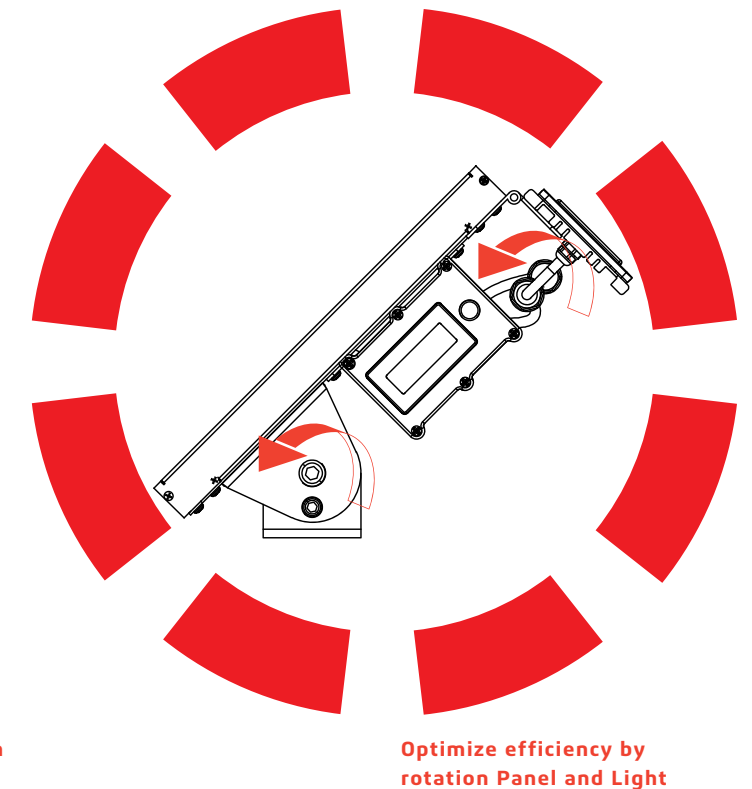


Adjust pole height, then tighten screws to position.

TIP

Use one bolt to set height, then tighten rest of the screws.

04



Optimize efficiency by rotation Panel and Light

NOTES

1. All screws and bolts must be tightened firmly.
2. Only press the main power button once. The light will operate automatically at night.
3. Please charge the product for 6-8 hours before use.