



NUVO 25W

APPLICATIONS

NUVO 25W is our solar-powered motion security light. It is ideal for residential use and provides security for your garage, driveway, garden, and the whole property. Can be quickly and easily installed on a wall or fence with an energy-efficient solar lighting system.

CATALOG		COMMENTS
PROJECT		
PREPARED BY		
DATE		

CERTIFICATION DATA



ORDERING INFORMATION

SERIES	WATTAGE	COLOR TEMPERATURE	MOUNTING OPTIONS	FINISH
STL-NUVO=NUVO	25=25W 2500 Lumens	4=4000K	WM=WALL MOUNT	BK=BLACK

- - - -

SPECIFICATION FEATURES



Dual-lens Design

- Eye protection lampshade
- Quick & Easy Installation
- Wider lighting angle & Larger coverage



Cost Saving

- No trenching, cabling, nor A/C electrical hookup required



Motion Sensor Design

- Energy efficient system



High Reliability & Durability

- ABS plastic shell
- Waterproof, IP65

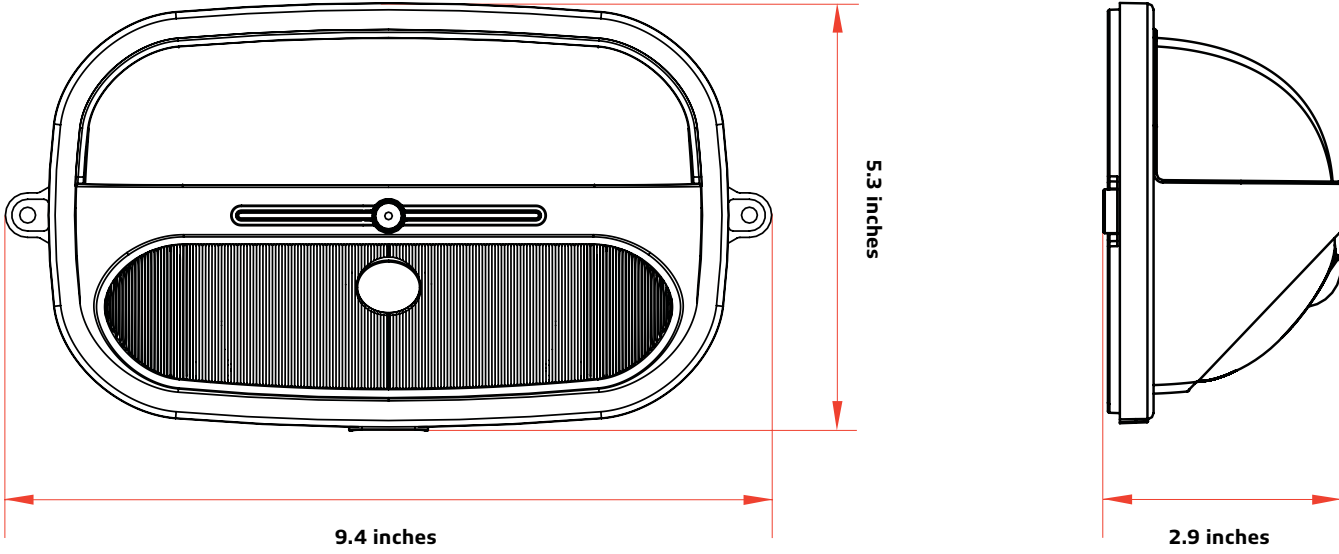


NUVO 25W

CATALOG		COMMENTS
PROJECT		
PREPARED BY		
DATE		

PRODUCT SIZE

NUVO 25W





NUVO 25W

CATALOG		COMMENTS
PROJECT		
PREPARED BY		
DATE		

SPECIFICATIONS

LED Nominal Power	25W
Solar Panel	Mono-crystalline 4.8V/1W
Lithium Ion Battery	3.7V14.8WH 2.0AH/PC
CCT	4,000K
Lumen Output@5000K	2,500
CRI	> 70
LED Chip	OSRAM
PIR Sensor Angle	120°
Waterproof Rate	IP65
Casting	PC & Aluminum
Efficiency@4000K	100 lm/W
* Charging Time	18 Hours (1000W/m ²)
Run Time (@Full Power)	>10 Days
Operation Mode	3 Operating Modes
* Operating Temperature	0°C/32°F to 140°F
* Charging Temperature	0°C/32°F to 113°F

* The temperature can impact the battery's charging and normal operation.

* The solar charge time data is base on 77 degree F ambient temperature with the panel pointed directly at the solar radiation. The standard radiation value is 1000W/m².

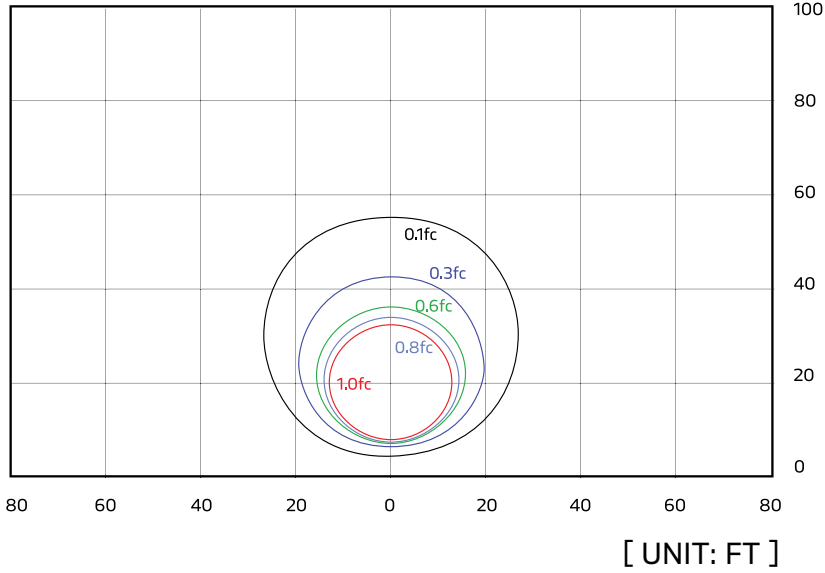


NUVO 25W

CATALOG	PROJECT	COMMENTS

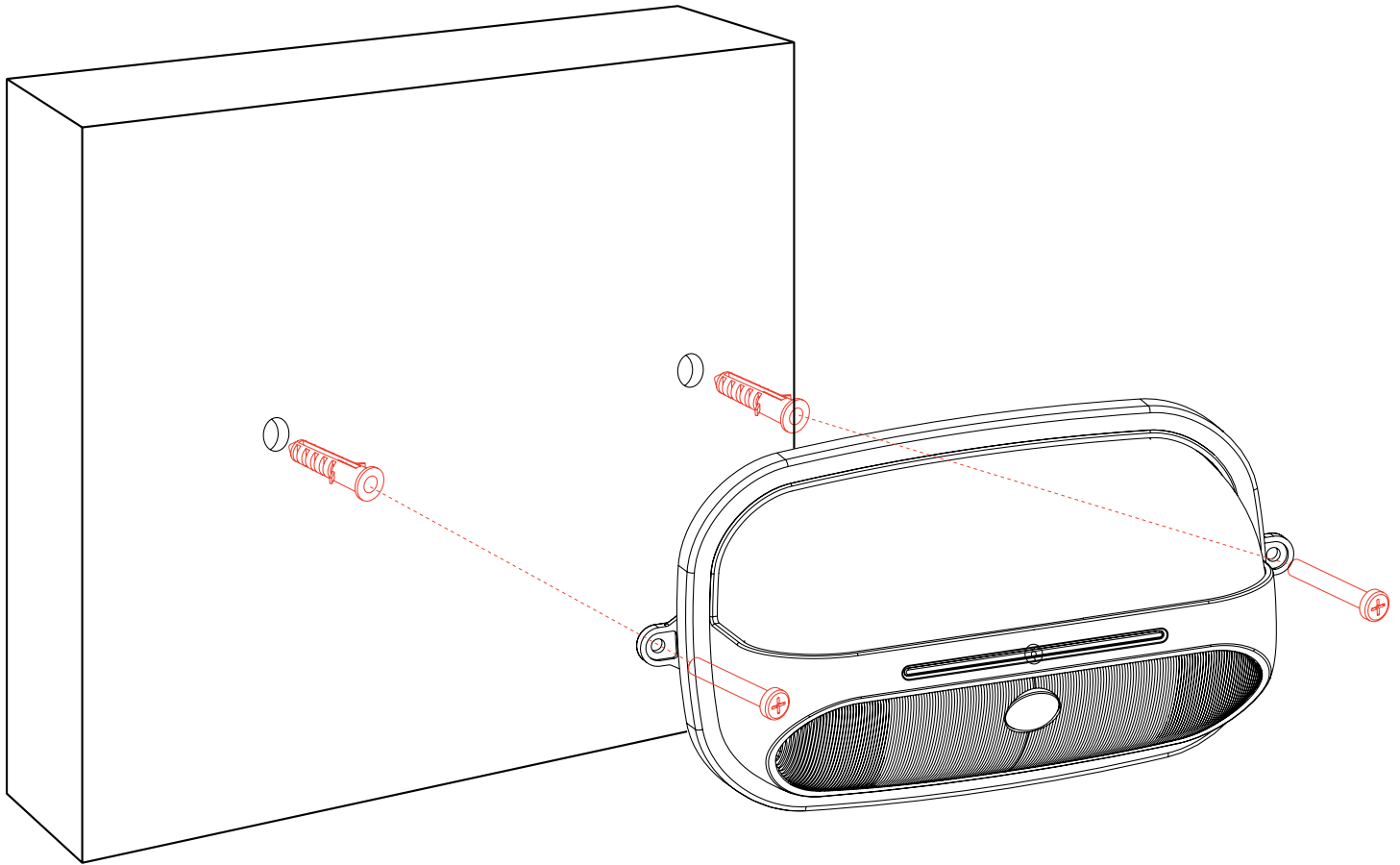
IES / BEAM

NUVO 25W [MOUNTING HEIGHT: 10FT]



CATALOG		COMMENTS
PROJECT		
PREPARED BY		
DATE		

WALL MOUNT



1. Measure the hole drillings then drill 2 holes.
2. Fix the expansion plugs into the holes.
3. Fix the lamp on the wall and secure with the screws. Face the solar panel toward the sun to effectively charge the built-in Li-ion battery.



NUVO 25W

CATALOG		COMMENTS
PROJECT		
PREPARED BY		
DATE		

WARRANTY

NUVO products are covered by a 3 year limited warranty. SOLTECH urban light warrants to the original purchaser that this product is free from defects in materials and workmanship for the period of 3 years from date of purchase. To obtain warranty service please contact your local distributor or sales rep for further instruction.



1460 Park Avenue.
Emeryville, CA 94608 USA

www.soltechlighting.com

SOLTECH LLC reserves the right to update all product data sheets at any time. Consult SOLTECH marketing specialists for publication updates at hello@soltechlighting.com

*Copyright©2022-2023 SOLTECH LLC,
All Rights Reserved.*