

ORINDA PRO 25W Dual-Heads **DECORATIVE AREA LIGHT**



- **Easy installation and operation**
- **Cold-weather battery withstands frigid climates up to -40°C/-40°F**
- **Remote control included with one-button mode setting**
- **An efficient decorative bell-style fixture**



INTRODUCING SOLTECH ORINDA PRO: ORINDA PRO solar light efficiently illuminates outdoor spaces like parking lots, pathways, and parks. This solar light fixture provides 360-degree glare-free, beam-styled lighting. Powered by renewable solar energy, ORINDA is a stand-alone, off-grid pathway light with zero operational costs. ORINDA's elegant design makes it ideal for decorative commercial lighting.

The ORINDA high-powered LED solar lighting system comes complete with solar power assembly, fixture, bracket, and all mounting hardware to attach to a pole. SOLTECH can also provide a pole to meet wind load specifications.

- Easy installation and operation
- Cold-weather battery withstands frigid climates up to $-40^{\circ}\text{C}/-40^{\circ}\text{F}$
- Remote control included with one-button mode setting
- 180lm/W—highest efficiency in the industry
- Built-in MPPT controller with microwave motion sensor
- Adjustable angle for the solar panel allows maximum solar collection
- Zero Electric Bills. No trenching or disturbing surrounding Areas
- Marine grade aluminum & stainless steel fasteners for harsh environments
- Full self-charging time less than 11 hrs



APPLICATIONS

The ORINDA is a complete solar system used for areas such as pathways, parking lots, landscaping, parks, schools, trails, or any remote locations that have no access to conventional power.

The ORINDA fixture is an efficient decorative bell-style fixture and provides great light output. This fixture works best for applications with a mounting height of 15' to 25'.





ORINDA PRO 25W Dual-heads

SOLAR DECORATIVE
AREA LIGHT

LIGHT FIXTURES

LED Nominal Power	25W X 2
Lumen	9,000LM
Color Temperature	3,000K 4,000K
Optic Type	Type II Type III
Efficiency@5,000K	180LM/W
Material	Die-Cast Aluminum

BATTERY

Operating Temperature	-40°C/-40°F to 140°F
Charging Temperature	-40°C/-40°F to 140°F
Capacity	640WH
Operating Voltage	12.8V
Charging Time	11 Hrs
Run Time @ Full Power	12-14 Hrs

SOLAR PANEL

Power	115W
Operating Voltage	18V
EPA @ 45°	9.5

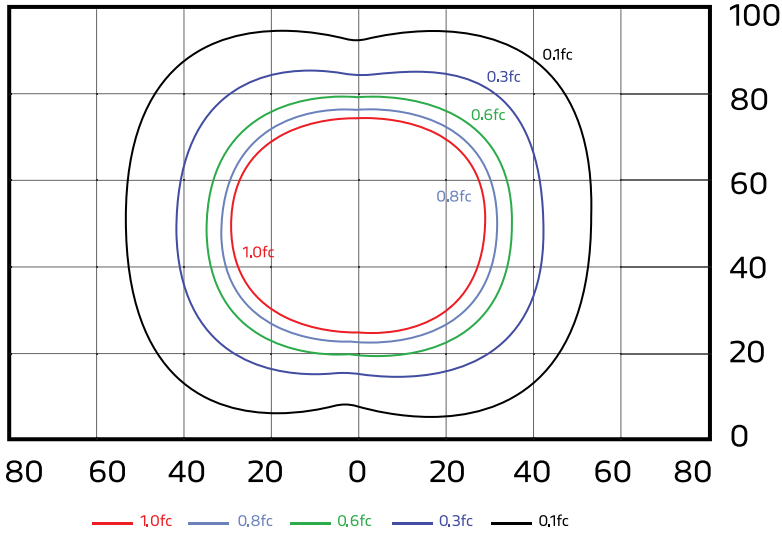
MAXIMUM AUTONOMY

Motion Sensor Mode	40%–100% 32hrs 20%–80% 55hrs
Time Control Mode	Night Owl 28hrs Early Bird 25hrs
Constant Mode	100% 13hrs 70% 19hrs 40% 34hrs

* The temperature can impact the battery's charging and normal operation. If your place's temperature is under 32°F, we advise you to use the SUNLIKE PRO version to achieve better lighting results. * The solar charge time data is base on 77 degree F ambient temperature with the panel pointed directly at the solar radiation. The standard radiation value is 1000W/m².

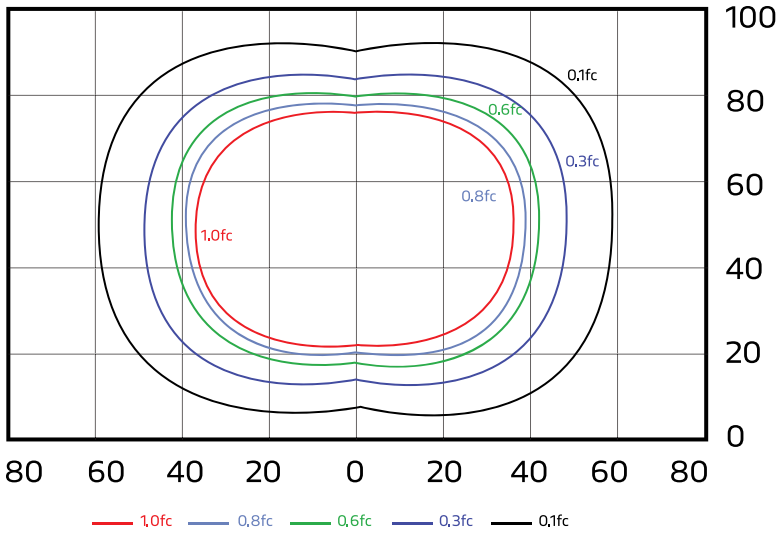
IES/ BEAM

ORINDA PRO 25W DUAL-HEADS TYPE III [MOUNTING HETGHT 20FT]



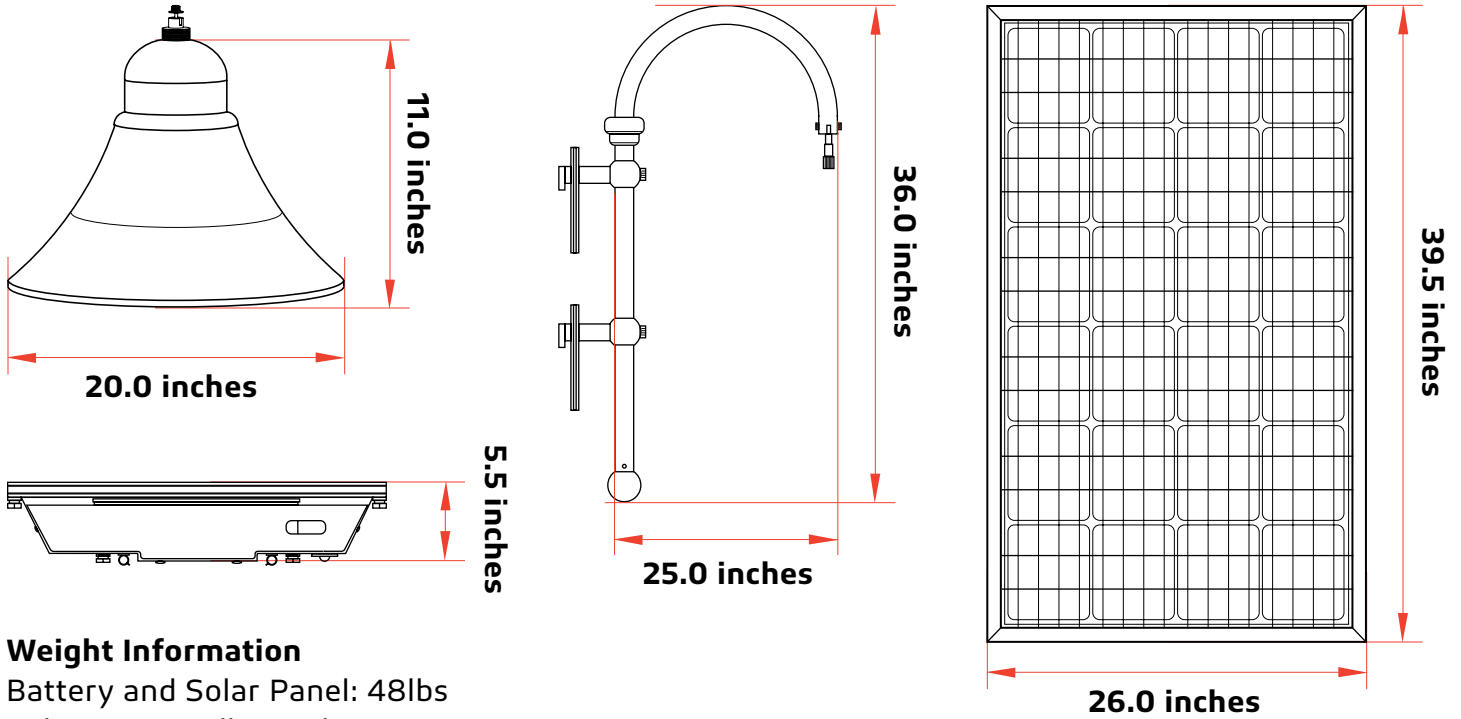
[UNIT: FT]

ORINDA PRO 25W DUAL-HEADS TYPE II [MOUNTING HETGHT 20FT]



[UNIT: FT]

ORINDA PRO 50W

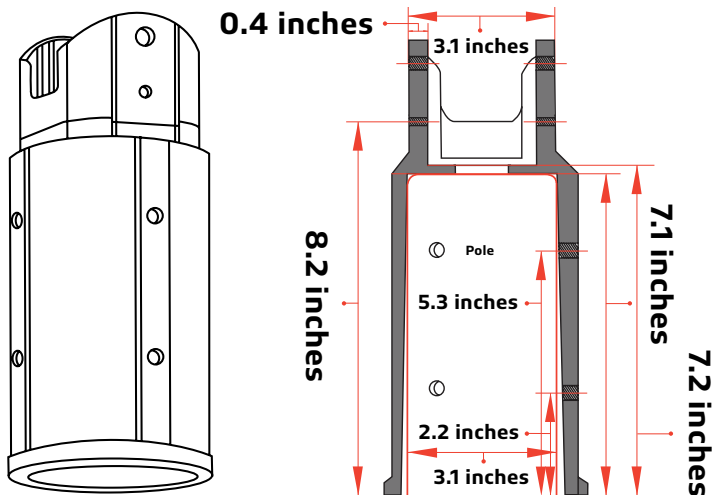


Weight Information

Battery and Solar Panel: 48lbs
Solar Lamp: 12lbs/each
Mounting Bracket: 6lbs

INSTALLATION ACCESSORIES

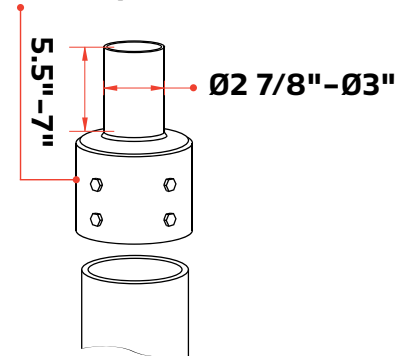
SOLAR PANEL SLIP FITTER



POLE TENON ADAPTER DIAMENTION

Tenon adapter **IS NOT** included in the package, please contact the pole manufacturer for the details.

Tenon Adapter—Round





ORINDA PRO 25W Dual-heads

SOLAR DECORATIVE
AREA LIGHT

ORDERING INFORMATION

SERIES	WATTAGE	OPTIC TYPE	COLOR TEMPERATURE	MOUNTING OPTIONS	FINISH
STLORNPRO= ORINDA PRO	25D=25W Dual-Heads 9,000 LUMENS	T3=TYPE III	3=3000K 4=4000K	SF=SLIP FITTER	GR=GREEN (RAL 6012) BK=BLACK (RAL 9004)

- - - - -

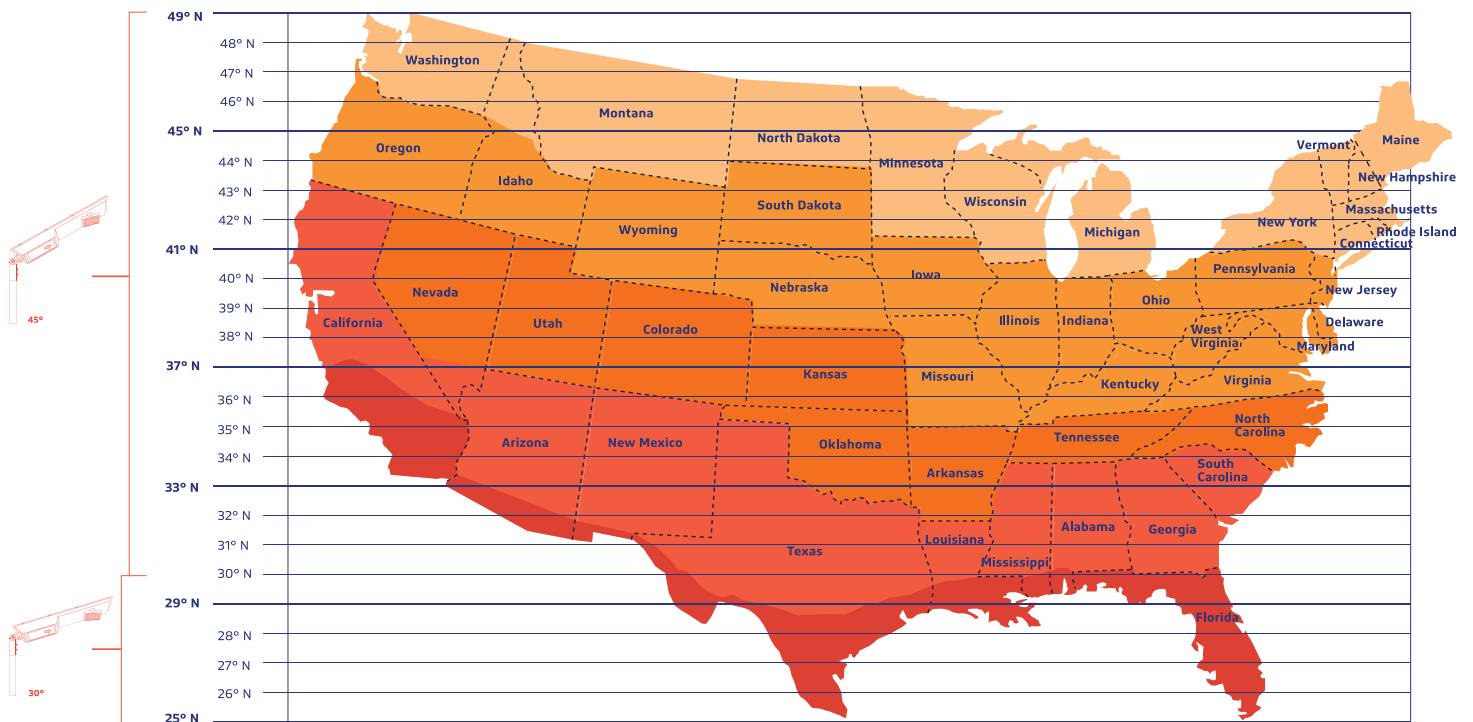
WARRANTY

ORINDA PRO products are covered by a 5 year limited warranty. SOLTECH urban light warrants to the original purchaser that this product is free from defects in materials and workmanship for the period of 5 years from date of purchase. To obtain warranty service please contact your local distributor or sales rep for further instruction.

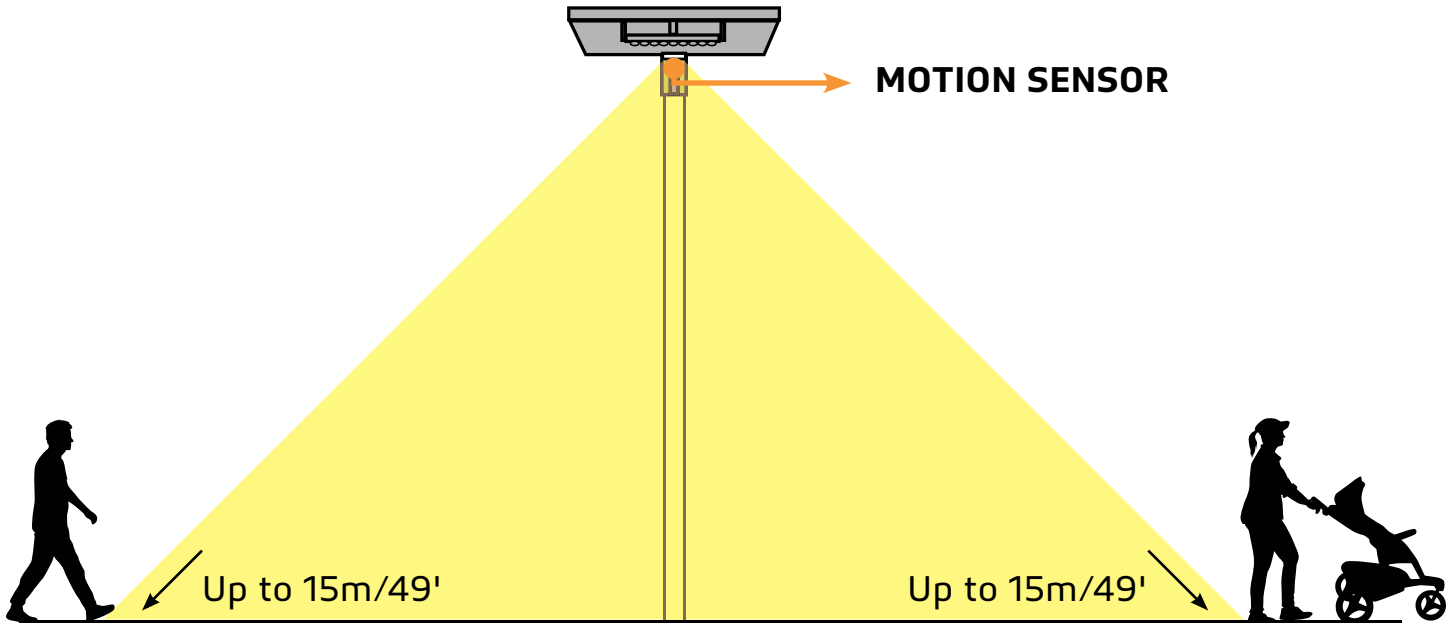
PANEL ANGLE GUIDE

The solar charge in a battery pack won't last forever. The off-grid system relies on stored solar energy for autonomy. Angling your solar panels properly can boost the power intake of your solar lighting system. You want to angle your solar panels at a tilt based on the area's latitude.

Key

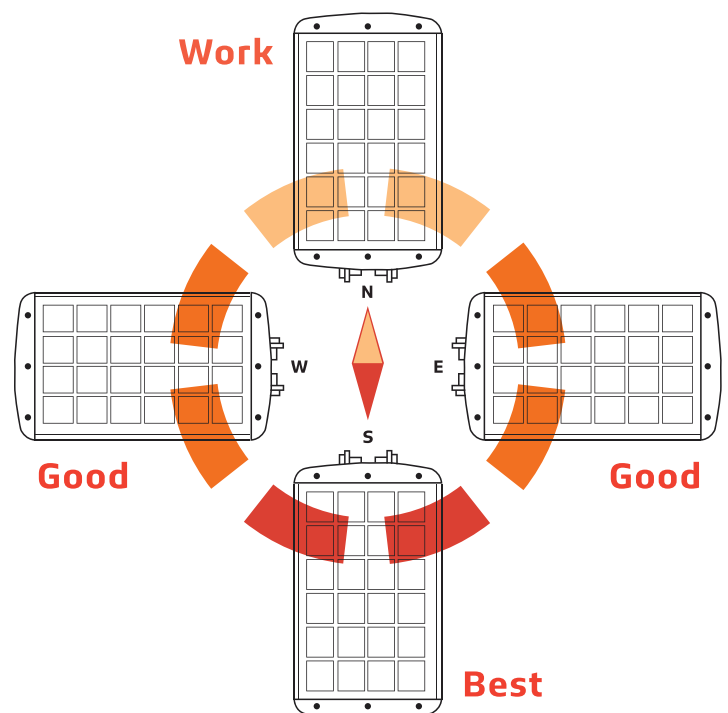


DETECTION ZONE

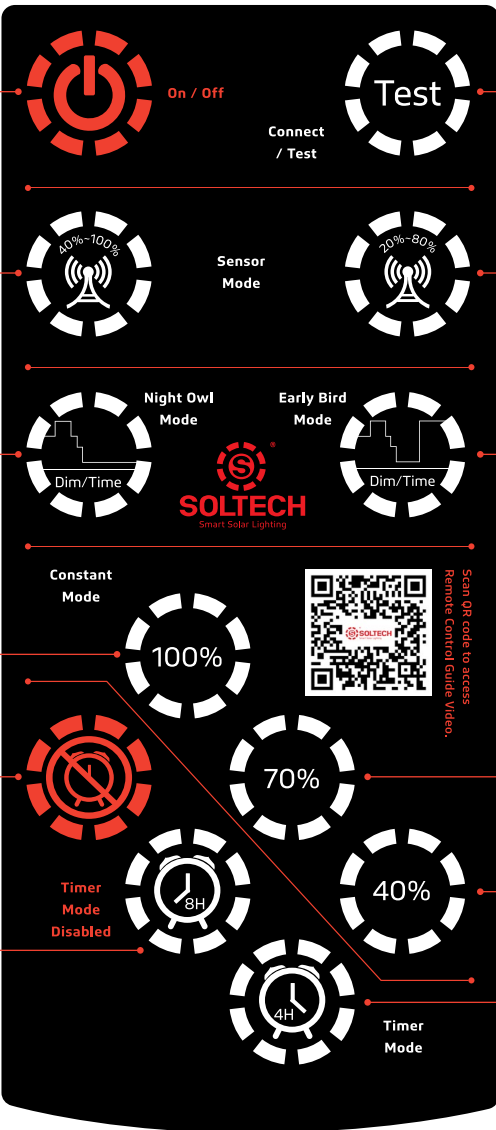


BEST FACING DIRECTION OF SOLAR PANEL

The area will dictate the installation of the fixtures and will sometimes prevent the lights from facing south. But that's okay! Panels facing West & East won't get as much light as Southern facing panels, but will still collect a good amount of sunlight. A North facing panel also works, but it will take longer to charge than any other direction. This would mean that the solar charge will be less optimal if installations are facing North.



REMOTE CONTROLS



1. On/Off

2. Connect/Test

3. 40%~100% Motion Sensor Mode

4. 20%~80% Motion Sensor Mode (Default)

5. Night Owl Mode

6. Early Bird Mode

7. 100% Constant Mode

8. 70% Constant Mode

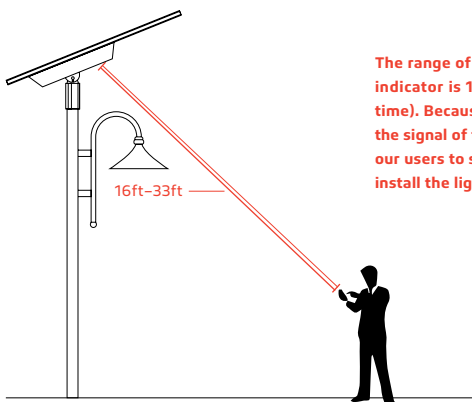
9. 40% Constant Mode

10. Timer Mode Disabled

11. Timer Mode 4 Hours

12. Time Mode 8 Hours

Scan QR code to access Remote Control Guide Video.



The range of the remote control to the indicator is 16ft (Day time) to 33ft (Night time). Because the sunlight will impact the signal of the remote control, we suggest our users to setup the mode before they install the light.

1. On/Off

When off is selected, the light will stop working. The solar panel will not charge the battery and the battery will not supply electricity to the light.

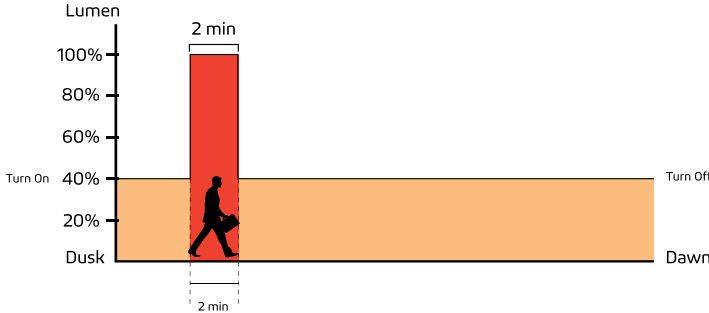
2. Connect/Test

Remote control device can be connected with any lighting fixture, one at a time. To connect, press the button once. It also functions as a test button. To test, press the "Test" button once, the red light will indicate the fixture is charging, green light indicates that the fixture is operating. Testing lasts for 10 seconds, and then it goes back to the mode previously in use.

REMOTE CONTROLS

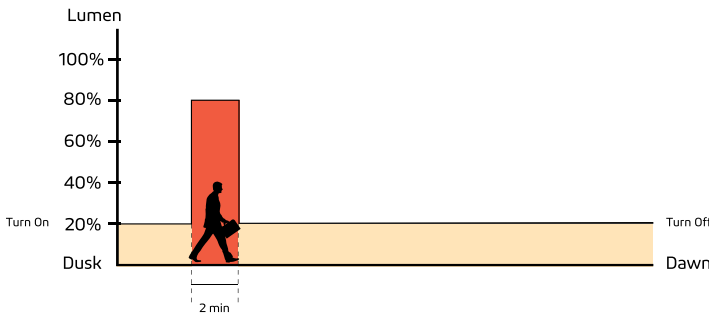
3. 40%~100% Motion Sensor Mode

Constant 40% brightness (turns on at dusk, turns off at dawn); 100% brightness turns on for 2 minutes when motion is detected.



1. On/Off

When off is selected, the light will stop working. Solar panel will not charge battery, battery does not supply electricity to the light.

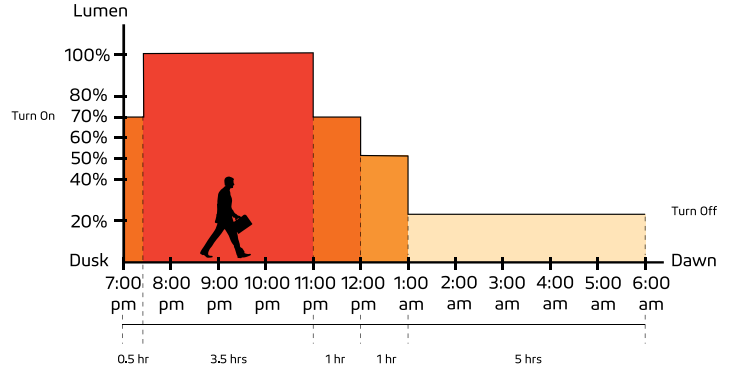


(IAP) Intelligent Adaptive Program Battery Control Technology

In order to extend the off-grid autonomy of the ORINDA under shady trees, heavy rain, and thick clouds, our controllers now integrate an adaptive smart control feature to actively track battery capacity and adjust light output accordingly. Before integrating this feature, selecting a light output percentage on the remote would yield an accurate percentage of max LED brightness. Now with (IAP), the controller actively monitors the battery and regulates the electrical current to the LEDs. The controller makes light output of the selected percentage on the remote relative to battery capacity rather than max LED output. This smart-control feature can increase our off-grid performance by up to 40%.

2. Connect/Test

Remote control device can be connected with any lighting fixture, one at a time. To connect, press once. It also functions as a test button. To test, press the "Test" button once, the red light will indicate the fixture is charging, green light indicates discharging. Testing lasts for 10 seconds,

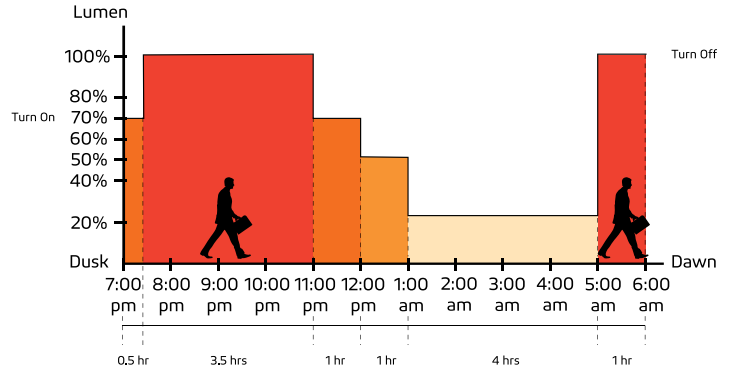


then goes back to the mode previously in use.

3. 40%~100% Motion Sensor Mode

Constant 40% brightness (turn on at dusk, turn off at dawn); 100% brightness turns on for 2 minutes when motion is detected.

4. 20%~80% Motion Sensor Mode (Default)



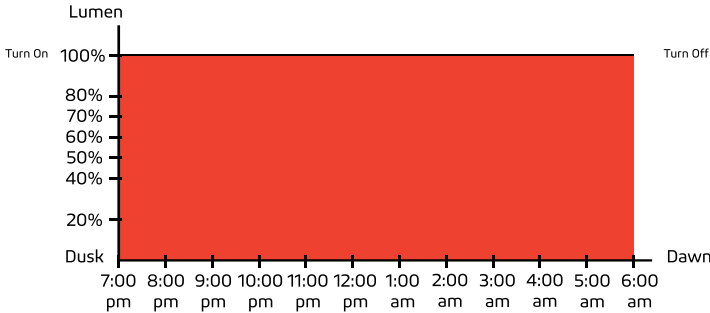
Important

Dusk and dawn time may be different in other locations and seasons. The sensors of our products will follow the light patterns of where it is installed. The time period shown in the chart above is just an example to help you understand the different lighting modes only.

REMOTE CONTROLS

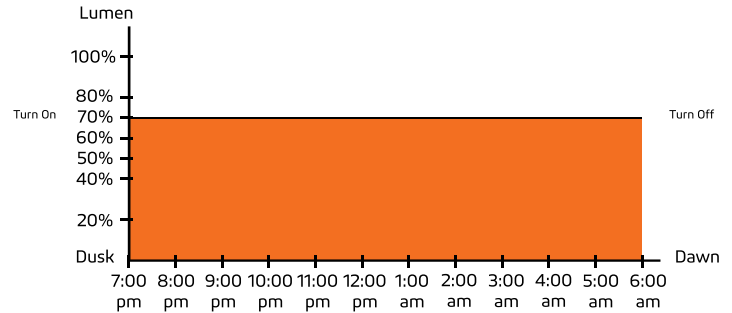
7. 100% Constant Mode

100% brightness from dusk to dawn.



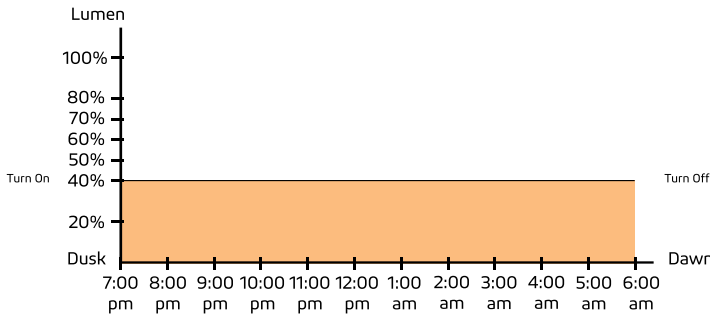
8. 70% Constant Mode

70% brightness from dusk to dawn.



9. 40% Constant Mode

40% brightness from dusk to dawn.

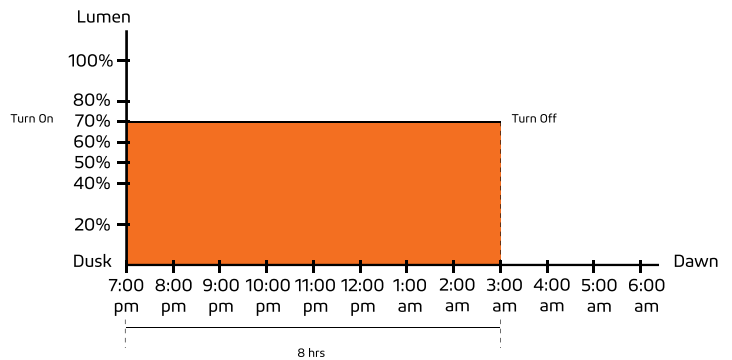


10. Timer Mode Disabled

Press this button to turn off Timer Mode; settings revert back to before Timer Mode was last activated.

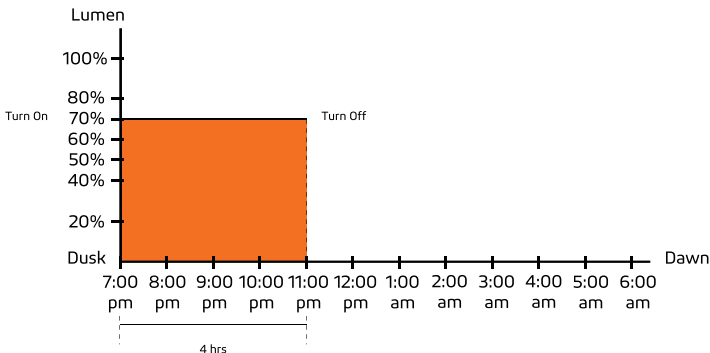
12. Time Mode 8 Hours

This is an additional mode which can work with any other modes. For example: press this button at any time after you turn on 70% Constant Mode. If the light turns on at 7pm at dusk, it will turn off at 3am. It will repeat the same schedule hereafter until it is canceled by pressing Timer Mode Disabled.



11. Timer Mode 4 Hours

This is an additional mode which can work with any other modes. For example: press this button at any time after you turn on 70% Constant Mode. If the light turns on at 7pm at dusk, it will turn off at 11pm. It will repeat the same schedule hereafter until it is canceled by pressing Timer Mode Disabled.



Important

Dusk and dawn time can vary for different locations and seasons. The sensors in our products will monitor the light levels where it is installed. The time period shown in the chart above is just an example to help you understand the different lighting modes.

SOLTECH LLC reserves the right to update all product data sheets at any time. Consult SOLTECH marketing specialists for publication updates at hello@soltechlighting.com

Copyright©2018-2024 SOLTECH LLC, All Rights Reserved.