

SOLPAD

Multi- functional Flood Lights

The SOLPAD features an integrated design that makes this one of the easiest lights to install and can mount to many different wall surfaces. SOLPAD also eliminates trenching, cabling, and electricity costs. With its advanced sensors, it can automatically turn off when it is daylight and turn on at dusk. The light can be programmed using buttons on the fixture, or using a simple handheld remote. Using the motion sensor function, the light can detect motion and will turn on automatically when it senses movement. With only six hours of sunlight, the fixture can operate for three to four days.



For more information, please visit our website:
www.soltechlighting.com

APPLICATIONS

5W 10W SOLPAD Multifunctional Flood Lights

This compact, integrated flood light pad is ideal to create brightly-lit, outdoor applications for residential garages, parking lots, schools, hotels and outdoor walk ways, that demand long service life and low maintenance. Three smart lighting mode options address all kinds of applications and weather.



Residential Security
Puerto Rico
Pathway and Security
Lighting Project



San Francisco International Airport
California, USA
Bus Shelter Lighting Project



Camping Security
Hawaii, USA
Camping Lighting Project



Camping Security
California, USA
Camping Lighting Project

FEATURES

5W 10W SOLPAD Multifunctional Flood Lights



Generates More Solar Energy and Stores More Energy

- Solar panel bracket is 360° adjustable and the light module is 135° adjustable. The Adjustable solar panel angle enables maximizing sunlight collected and allows snow to slide off.
- Large battery capacity of 7200mAh enables long run times.



Installation

- Wall-mounting and post-mounting accessories available



Longer Life

- The latest advanced Li-ion battery lasts 2000+ charging cycles
- 3 operating modes that are programmable via remote control or controls on the fixture
- IP65 rated protection from water, dirt, and dust.



Integrated Design

- The easiest way to bring lighting to any outdoor application
- Photo and motion sensors, wide angle 180° detection, high sensitivity
- Wall-mounting and post-mounting accessories available

SOLPAD
5W



ON/OFF



Constant
Lighting Mode



Full
Bright & Dim

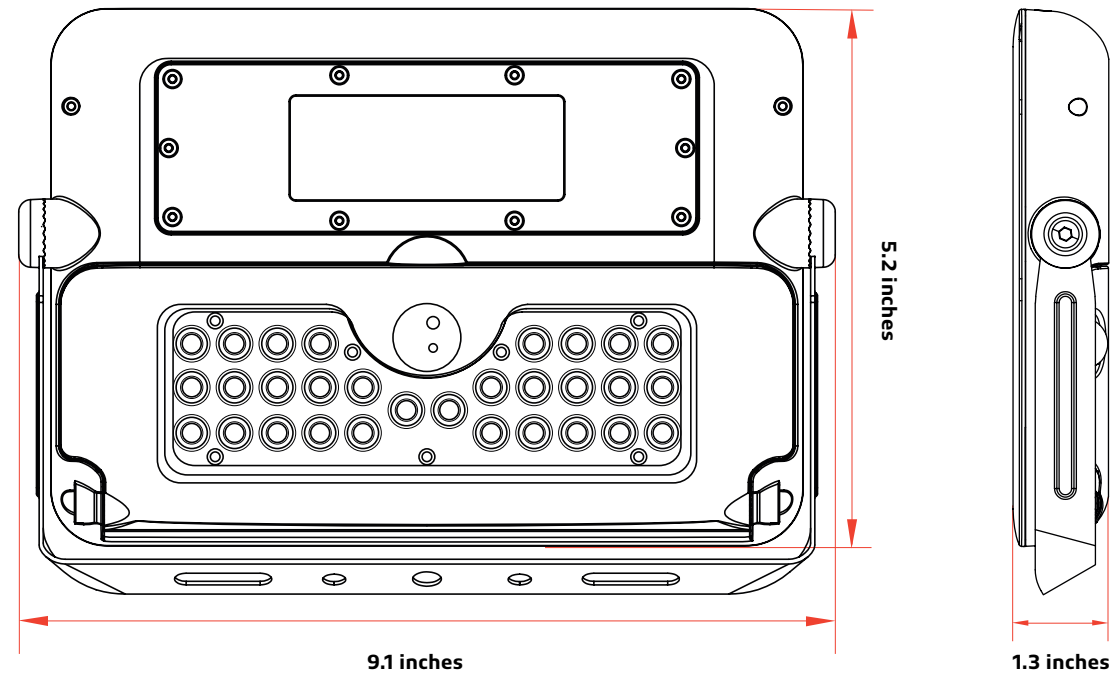


Full
Bright & Off

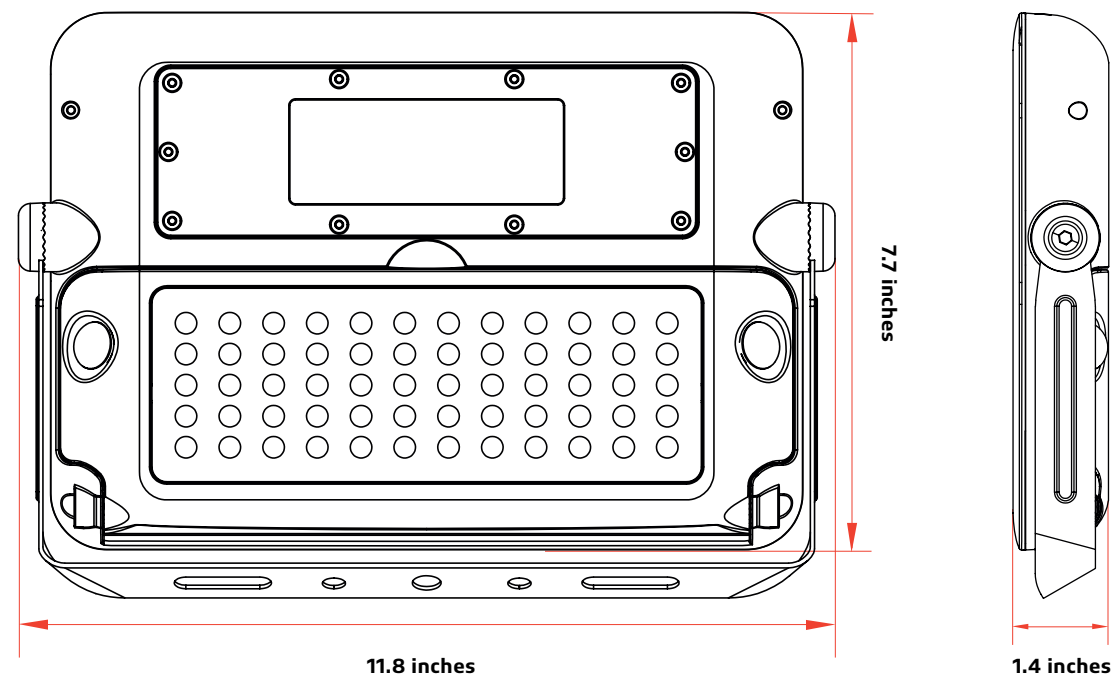
SOLPAD
10W

DIMENSIONAL DRAWINGS

SOLPAD 5W



SOLPAD 10W



SPECIFICATIONS & PERFORMANCE

5W 10W SOLPAD Multifunctional Flood Lights

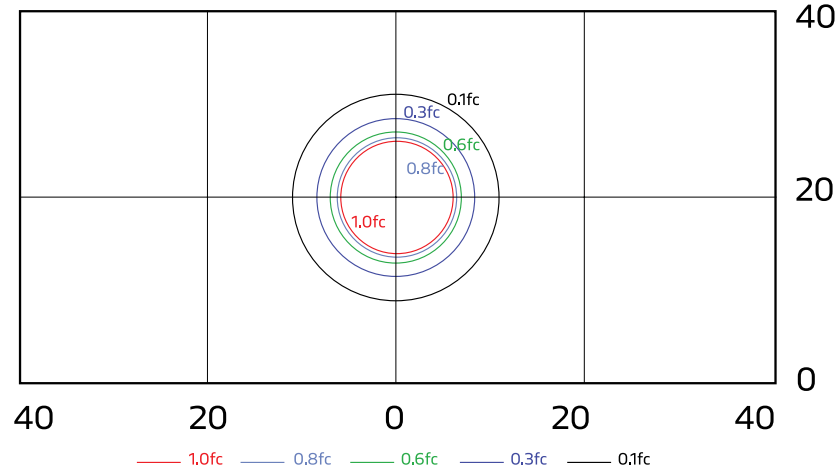
SOLPAD will provide security and sustainability with no electricity costs and low maintenance costs.

SPECIFICATIONS	SOLPAD 15W	SOLPAD 10W
LED NOMINAL POWER	5W	10W
SOLAR PANEL	Mono-Crystalline 3.2W	Mono-Crystalline 5.5V 6W
LITHIUM ION BATTERY	3.7V 3.0AH	27WH 3.7V 7.2AH
BEAM ANGLE	90°	90°
LUMEN OUTPUT@4000K	500	1,000
PRODUCT SIZE	9.1 X 5.2 X 1.3 Inches	11.8 X 7.7 X 1.4 Inches
IP RATING	IP65	IP65
CRI	CRI > 70	CRI > 70
CASTING	PC & ALUMINUM	PC & ALUMINUM
EFFICIENCY@4000K	100 LM/W	100 LM/W
PIR SENSOR ANGLE / DISTANCE	120° / 16.7 ft	180° / 16-26 ft
* CHARGING TIME	7 Hours (1000W/m ²)	7 Hours (1000W/m ²)
RUN TIME	2-3 Days	2-3 Days
OPERATION MODE	3 Operating Modes	3 Operating Modes
CCT	4,000K & 5,000K	4,000K & 5,000K
* OPERATING TEMPERATURE	-20.5°C/-5°F to 113°F	-20.5°C/-5°F to 113°F
* CHARGING TEMPERATURE	0°C/32°F to 149°F	0°C/32°F to 149°F

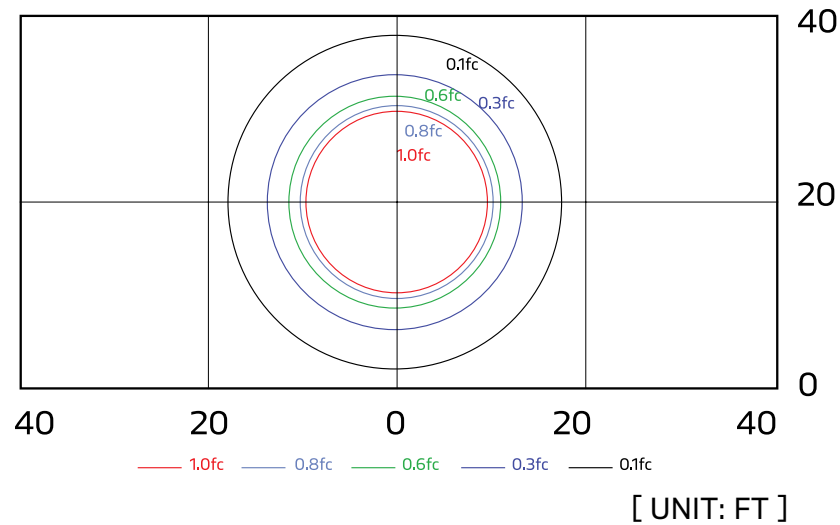
* The temperature can impact the battery's charging and normal operation.
 * The solar charge time data is based on 77 degree F ambient temperature, with the panel pointed directly at the solar radiation. The standard radiation value is 1000W/m².

PHOTOMETRY

SOLPAD 5W [MOUNTING HEIGHT: 10FT]



SOLPAD 10W [MOUNTING HEIGHT: 10FT]



PRODUCT NUMBER BUILDER

Example: STL-SFL104WMBK

This example product number is for SOLPAD 10 watt, 4000K CCT, wall mount installation, with black finish.

SERIES	WATTAGE	COLOR TEMPERATURE	MOUNTING OPTIONS	FINISH
STL-SFL=SOLPAD	5=5W 500 LUMENS 10=10W 1000 LUMENS	4=4000K 5=5000K	WM=WALL MOUNT LP=LAMP-POST MOUNT	BK=BLACK

- - - -

Sample Number: STL-SFL10XYZZ

Please **DO NOT** send the generic sample number directly to our salesperson. Use the information in the chart, above, to create a model number with the correct series, wattage, CCT, mounting options, and finish for the product options that you want.

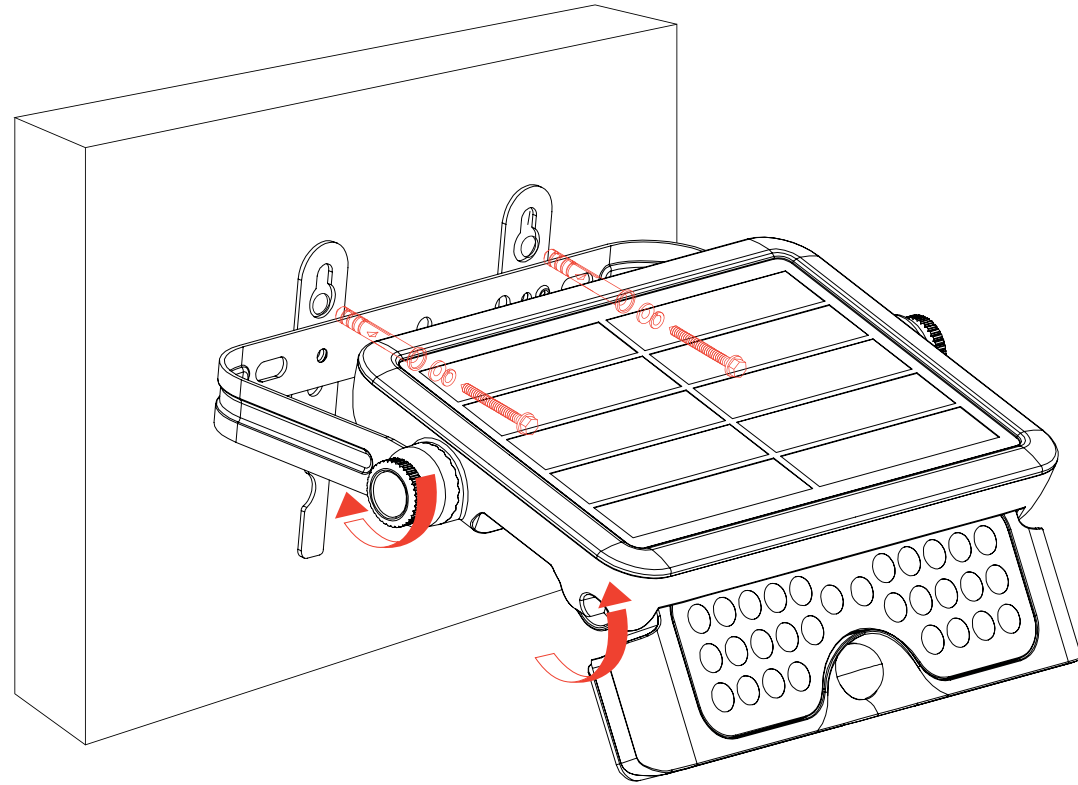
QUICK SHIP PRODUCT

- STL-SFL104WMBK
- STL-SFL104LPBK
- STL-SFL54WMBK
- STL-SFL54LPBK

MOUNTING ACCESSORIES (5W 10W)

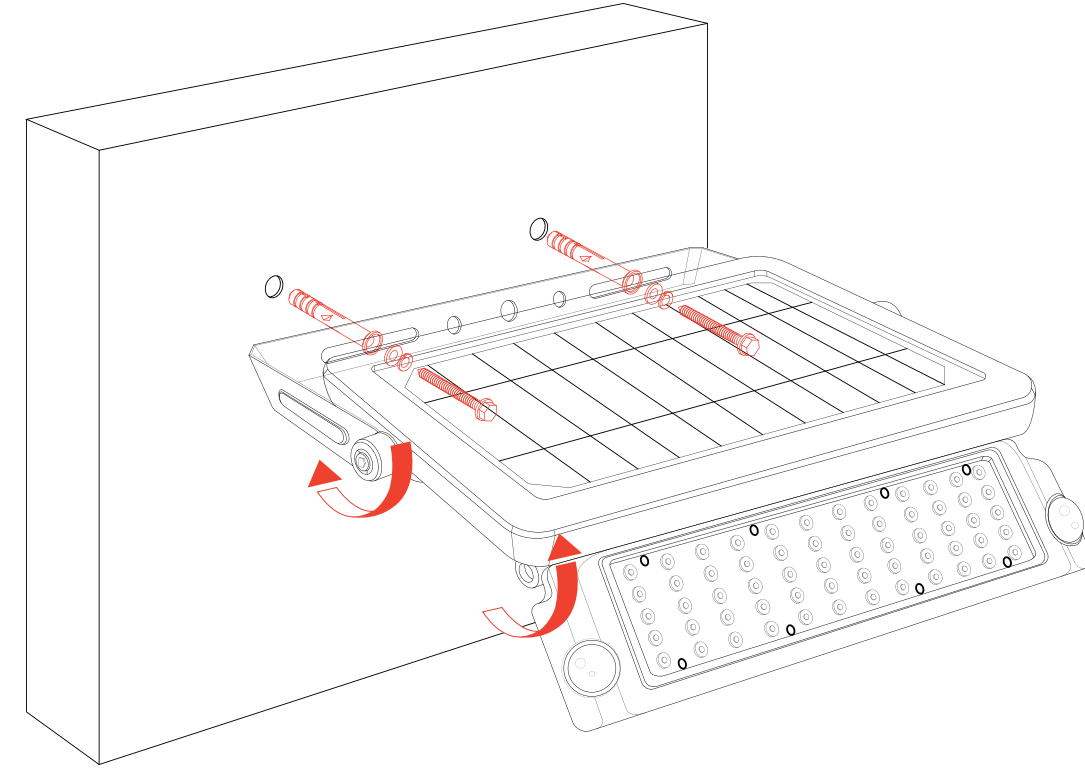


WALL MOUNT 5W



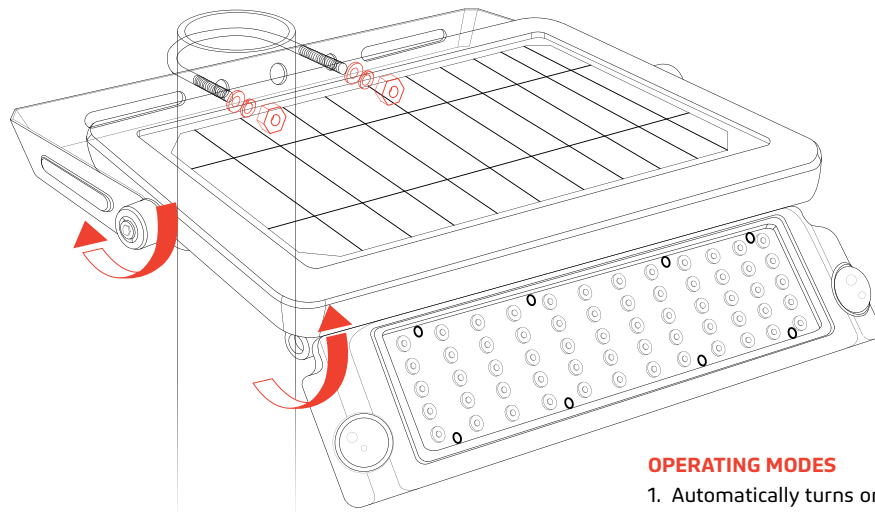
1. Use the Allen Wrench to loosen the bracket. Adjust it to the appropriate angle and tighten screws.
2. Use the Allen Wrench to loosen the light module. Pull it out and adjust it to your desired lighting angle, then tighten screws.
3. Mount the light onto the wall.

WALL MOUNT 10W



1. Use the Allen Wrench to loosen the bracket. Adjust it to the appropriate angle and tighten screws.
2. Use the Allen Wrench to loosen the light module. Pull it out and adjust it to your desired lighting angle, then tighten screws.
3. Mount the light onto the wall.

LAMP-POST MOUNT 5W 10W

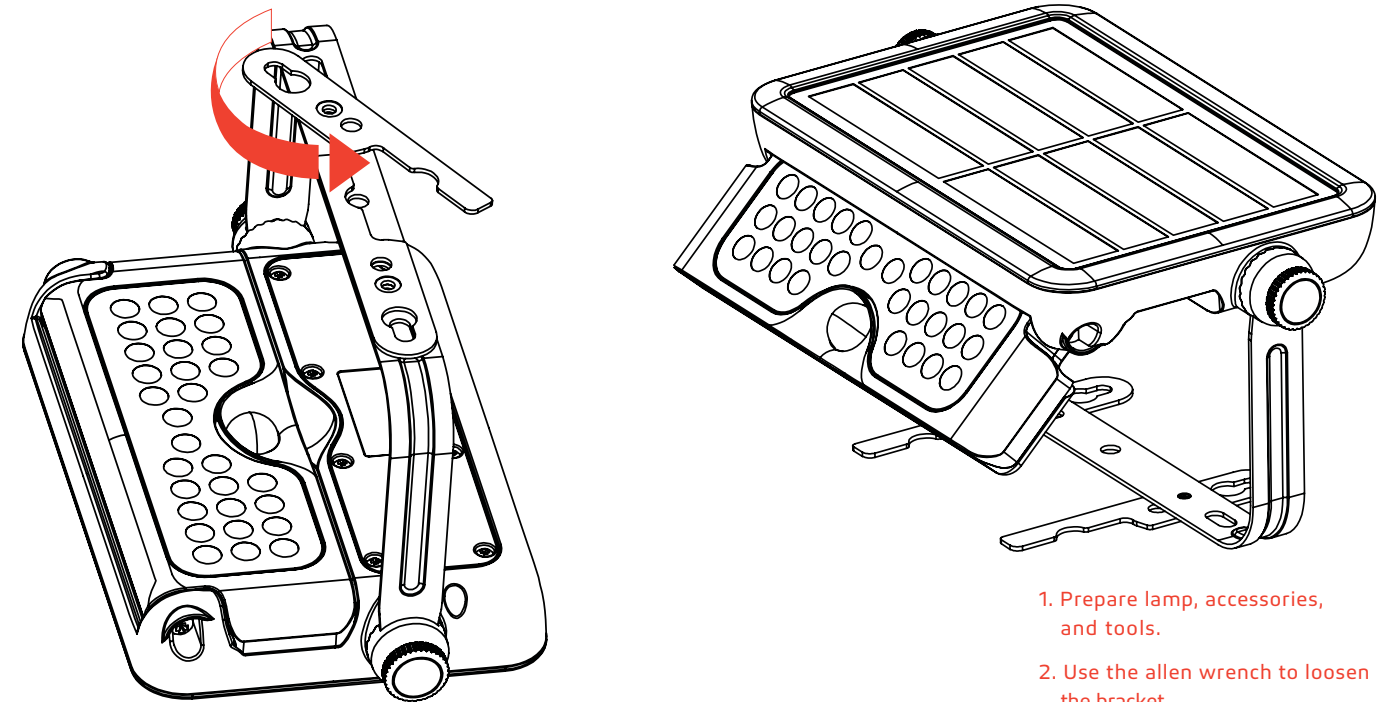


- Works With Round & Square Poles**
1. Round Pole Mount
Diameter of 1.6-2.4 inches
 2. Square Pole Mount
Side length of 1.2-1.6 inches

OPERATING MODES

1. Automatically turns on at dusk and remains at 20% brightness
2. Automatically turns on to full brightness (1000 lm) when motion is detected within a range of ≤26 ft and then reduces to 3% brightness in 20 seconds of no motion.
3. Automatically turns on to full brightness (1000 lm) when motion is detection within a range of ≤26 ft and then turns off after 30 seconds of no motion.

STAND ON FLAT SURFACE 5W 10W



1. Prepare lamp, accessories, and tools.
2. Use the allen wrench to loosen the bracket.