

CATALOG		COMMENTS
PROJECT		
PREPARED BY		
DATE		



# SPOTLINE SOLAR-POWERED LED FLAG LIGHT

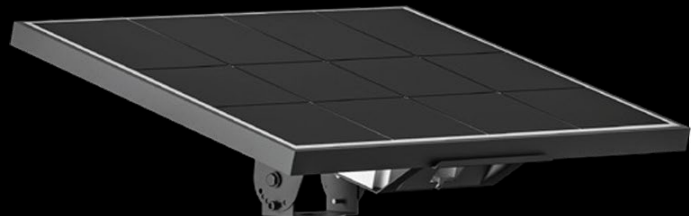
15W | 30W

[ DUSK TO DAWN ILLUMINATION ]

[ EASY AND FAST INSTALLATION ]

[ BEAM ANGLE AVAILABLE FROM 25° TO 65° ]

[ UP TO 38 HOURS (3 NIGHTS) ON FULL CHARGE ]



## APPLICATIONS

SPOTLINE Solar-Powered LED Flag Light is a solar-powered system designed for signs, flags, windsocks, landscape accents, and any other architectural features. It is an efficient, budget-friendly fixture with multiple distribution patterns and provides an excellent light output.

## DESCRIPTION

SPOTLINE Solar-Powered LED Flag Light system comes complete with a self-contained solar power assembly sized to run the specified solar light fixture. There is no need for an extra power source, which eliminates the need for trenching, wiring, and electricity costs. With a two piece design solution for the panel and lighting engine, these fixtures can easily provide up to 3+ days of operation on a full charge.

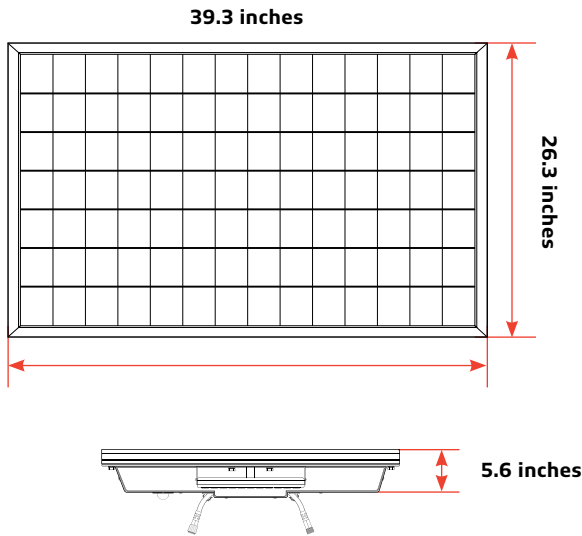
Each fixture provides the needed lighting levels and distribution pattern to give the perfect lighting solution to meet the application's requirements.



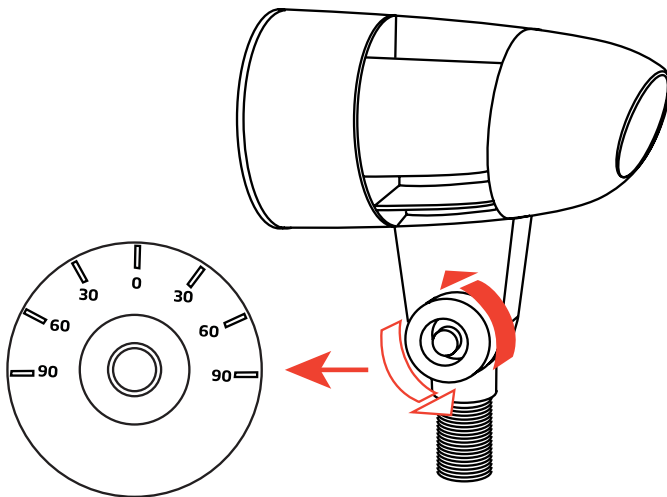


**SPOTLINE** SOLAR-POWERED LED FLAG LIGHT 8W | 15W

**PRODUCT SIZE**



**ADJUSTABLE LIGHT ANGLE**



CATALOG		COMMENTS
PROJECT		
PREPARED BY		
DATE		

**FEATURES**



**Low Maintenance & Smart Design**

- Easy installation and operation
- Die cast A380 aluminum fixture housing is rust-free
- Dusk to dawn illumination.
- Provides different lighting levels and distribution patterns. Beam angle is available from 25° to 65°.



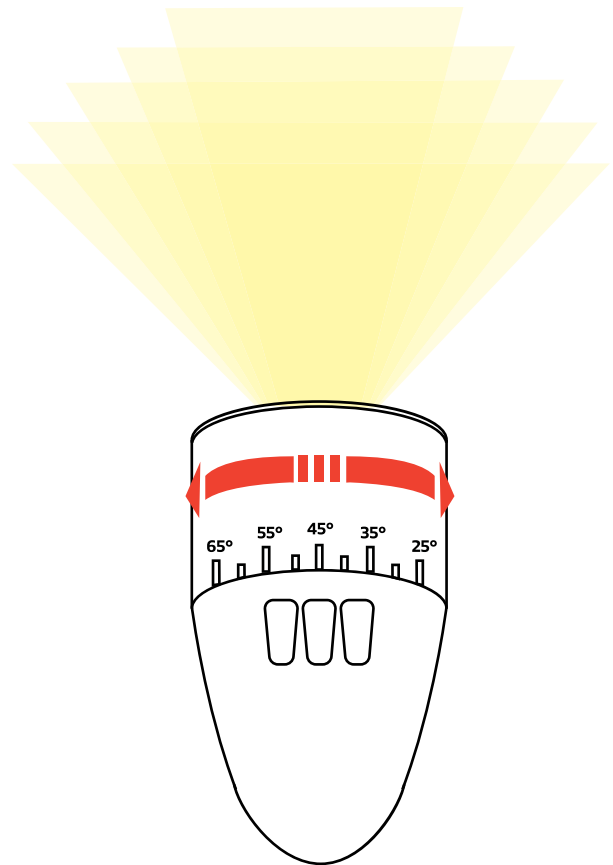
**Generates More Solar Energy**

- Two-piece design for the solar panel and Light allows maximum solar collection.
- Cold-weather battery withstands frigid climates up to -30°C/-22°F



**High Brightness, Smart Power Consumption**

- 190lm/W—the highest efficiency in the industry
- Smart MPPT Controller
- Up to 38 Hours (3 nights) on full charge





**SPOTLINE** SOLAR-POWERED LED FLAG LIGHT 8W | 15W

CATALOG		COMMENTS
PROJECT		
PREPARED BY		
DATE		

**PRODUCT SPECIFICATIONS**

LIGHT FIXTURES	
LED Nominal Power	2 X 15W   1 X 30W
Lumen	2 X 2,850LM   1 X 5,700LM
Color Temperature	3000K   4000K   5000K
Beam Angle	25°   35°   45°   55°   65°
Efficiency@5000K	190LM/W
Material	Die-Cast Aluminum
Cable Length	30 ft
BATTERY	
Operating Temperature	-30°C/-22°F to 140°F
Charging Temperature	-30°C/-22°F to 140°F
Capacity	54AH 691WH
Operating	12.8V
SOLAR PANEL	
Model	Mono-Crystalline 18V 115W
Size	39.3" X 26.3"
EPA@30°	5.2

**MPPT CONTROLLER**

- Maximum Power Point Tracking (MPPT) is a technique for tracking and regulating the output energy from the solar panel to the battery.
- Measures the solar panel output voltage and current in real-time and continuously tracks the maximum power.
- Regulates the output voltage so that the system can always charge the battery with the maximum power.
- Significantly improves the solar system energy utilization rate, with a conversion efficiency up to 97%.
- Increases the solar system's charging efficiency by at least 20% compared to Pulse Width Modulation (PWM)

\* The temperature can impact the battery's charging and normal operation.

\* The solar charge time data is base on 77 degree F ambient temperature with the panel pointed directly at the solar radiatio. The standard radiation value is 1000W/m<sup>2</sup>.

**ORDERING INFORMATION**

SERIES	WATTAGE	COLOR TEMPERATURE	FINISH
STL-SPO =SPOTLINE	15=15W 30=30W	3=3000K 4=4000K 5=5000K	GY=Gray BK=Black

-  -  -

**Example: STL-SP0303BK**

This example product number is for SPOTLINE 30 watt, 3000K CCT, with a black finish.



**SPOTLINE** SOLAR-POWERED LED FLAG LIGHT 8W | 15W

**SPOTLINE is covered by a 5 year limited warranty. SOLTECH urban light warrants to the original purchaser that this product is free from defects in materials and workmanship for the period of 5 years from date of purchase. To obtain warranty service please contact your local distributor or sales rep for further instruction.**

CATALOG		COMMENTS
PROJECT		
PREPARED BY		
DATE		



1460 Park Avenue.  
Emeryville, CA 94608 USA

[soltechlighting.com](http://soltechlighting.com)

*SOLTECH LLC reserves the right to update all product data sheets at any time. Consult SOLTECH marketing specialists for publication updates at [hello@soltechlighting.com](mailto:hello@soltechlighting.com)*

*Copyright©2018–2024 SOLTECH LLC,  
All Rights Reserved.*